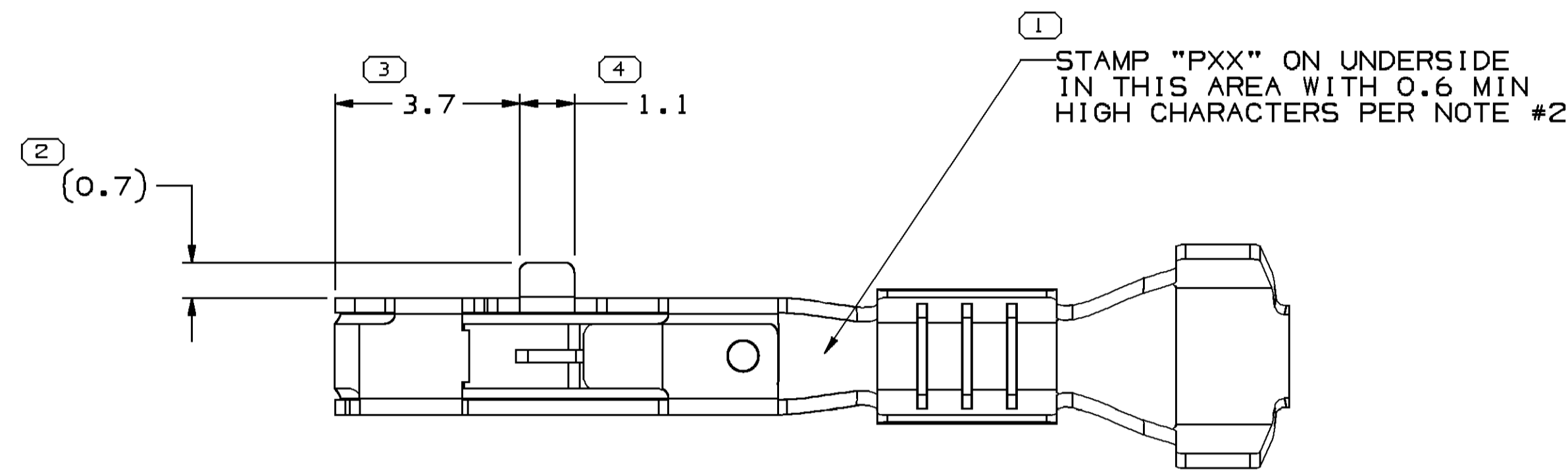
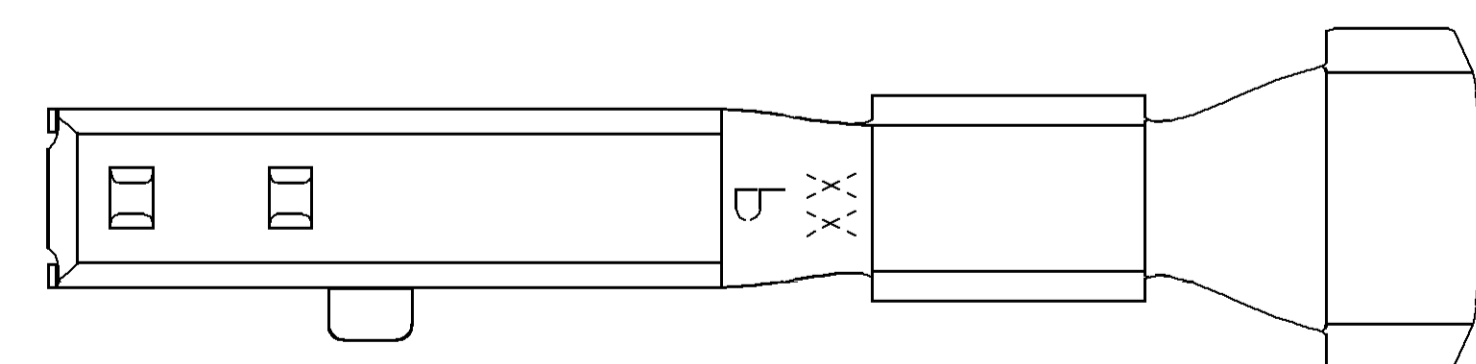
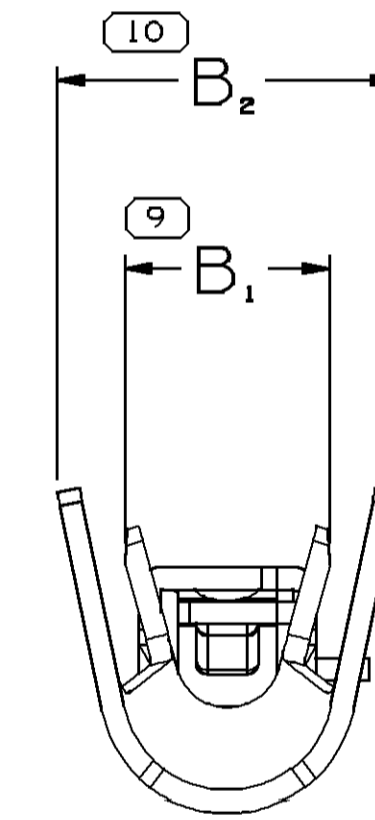
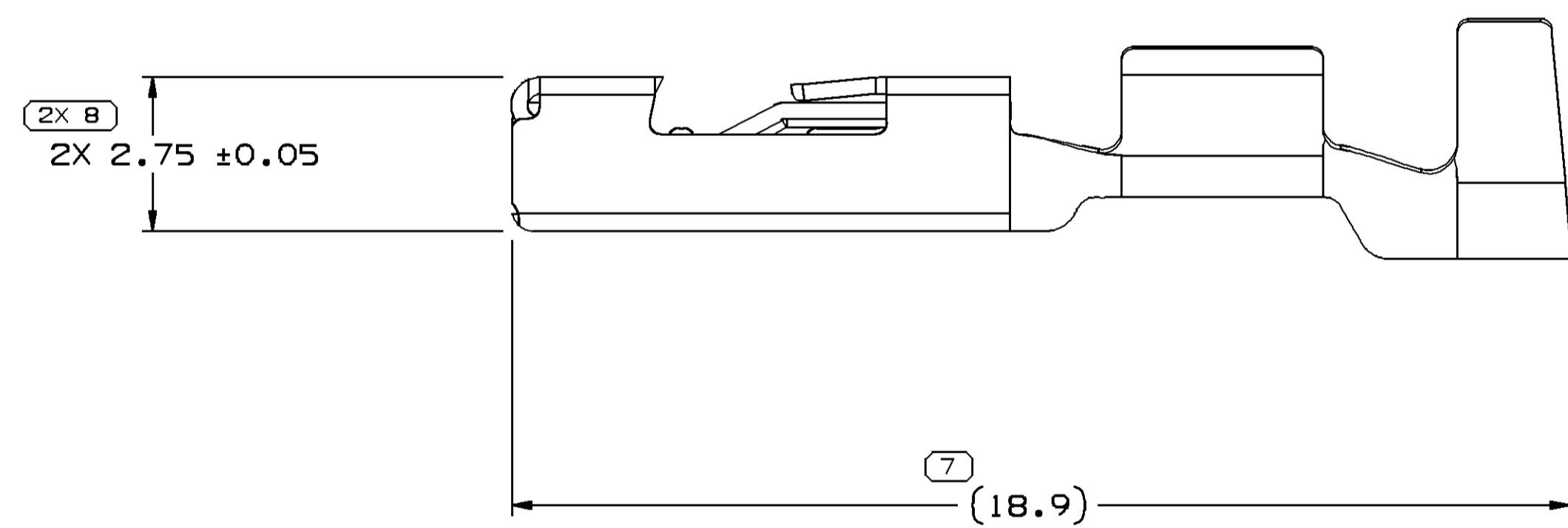
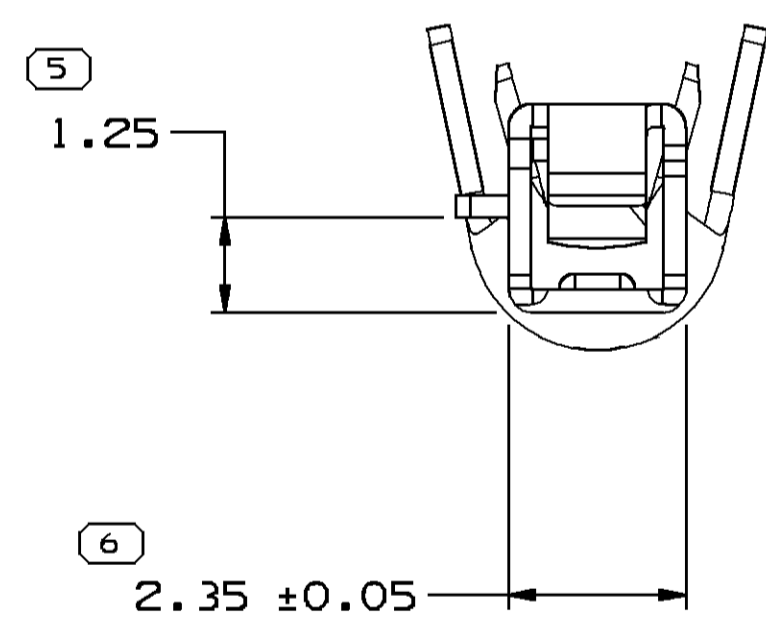
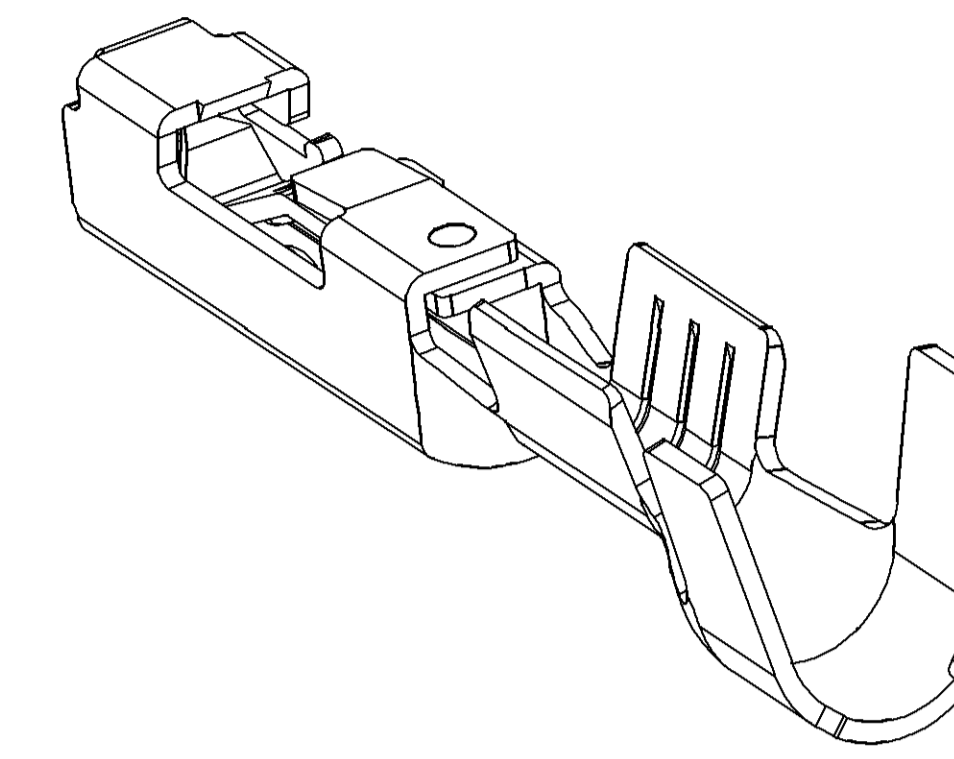


TERMINAL AND CABLE ALIGNMENT



TYPE 101



NOTES

- UNLESS OTHERWISE SPECIFIED AND/OR INDICATED:
DIMENSIONS ARE TO FACE OF VIEW SHOWN AND AUTOMATICALLY ROUNDED BY COMPUTER FOR INSPECTION (SEE MATH MODEL FOR PRECISE DIMENSIONS). FOR ALL OTHER DIMENSIONS NOT SHOWN BUT REQUIRED FOR TOOL BUILD, SEE MATH MODEL FOR PRECISE TOOL PATH DATA.
- "PXX" INDICATES "P" PLUS LAST TWO DIGITS OF MAKE DIE SERIES NUMBER (PO1, PO2, PO3, ETC). STAMP MAY BE ANY CONFIGURATION (0.6) HIGH TRIANGULAR CONFIGURATION IS PREFERRED.
- REFERENCE MATING COMPONENTS OR EQUIVALENT:
TERMINAL (TBD)
- THIS PART ACCEPTS THE FOLLOWING COMPONENTS OR EQUIVALENT:
CABLE SEAL (SEE CHART)
- * DENOTES DIMENSIONS MADE AT CUT-OFF AND CRIMP DIE.
- DO NOT PROBE, TEST OR OTHERWISE CONTACT THE INTERIOR REGION (THE SPRING OR ANY MOVING PART) OF THIS TERMINAL. SEVERE DAMAGE CAN OCCUR, COMPROMISING THE PERFORMANCE OF THE ELECTRICAL INTERFACE.
- PLATING TYPE:
1. REFLOW TIN 1.9 - 3.3 MICROMETERS THICK WITH A COPPER UNDERPLATE 0.5 MICROMETER TO 1.0 MICROMETER THICK.
PLATING TYPE INFORMATION SHOWN ABOVE IS APPLICABLE ONLY. PLATING REQUIREMENTS ARE CONTAINED IN APPLICABLE MATERIAL SPECIFICATION.

SYMBOL DEFINITION		MISSING SYMBOLS	
A DIMENSION WITHOUT AN INSPECTION REPORT SYMBOL () DOES NOT REQUIRE INSPECTION. IT MAY BE CONTROLLED ON THE INDIVIDUAL COMPONENT DRAWING.	TOTAL NO OF INSPECTIONS REQUIRED	NO MISSING SYMBOL NUMBER	
	11		
	LAST NO. USED		
	10		

DWG STATUS		ZONE		REVISION HISTORY		AUTH		DR		APVD	
DATE	STG	REV	IN/P	CHG							
01MR05	R	01	-	-	15496531 - WAS SEPARATE DWG. 10.71 WAS 0.95 @0.05; 13522325 - RELEASED	264478	ADK	ADK	MEF	1	2
29MR05	R	02	-	-	ALL PARTS - ADDED SEAL LOCATION DIMS (2 PLCS)	266479	JBD	JAA	MEF		
07JN05	R	03	-	-	ALL PARTS - REVISED GRAPHICS	268729	JBD	FKV	MEF		
20JL05	R	04	-	-	ALL PARTS - UPDATED PDM ATTRIBUTES	270178	JS	JS	MEF		
10NO08	R	05	-	-	ALL PARTS - UPDATED PDM ATTRIBUTES	406687	RHG	JHP	RHG		
19MR10	R	06	-	-	ALL PARTS - UPDATED PDM ATTRIBUTES	410324	JTZ	JTZ	MAC		
16JN10	R	07	-	-	13829771 - RELEASED	411068	MEA	HAD	MEA		
18JN10	R	08	-	-	13829771 - RESTRICTED	411137	MEA	HAD	MEA		
03AU10	R	09	-	-	ALL PARTS - ADDED PLATING NOTE, UPDATED MAT'L CALLOUT AND ADDED CONTACT AREA & CRIMP AREA COLUMNS ON CHART	411512	ESC	ESC	MJF		
30SE10	R	10	-	-	ALL PARTS - UPDATED "PLATING TYPE" NOTE	412107	JRL	JRL	VMR		
14MR11	R	11	-	-	ADDED "SHT 1 OF 2"	413647	VMR	VMR	VMR		
06MR12	R	12	-	-	ALL PARTS - UPDATED "PXX" STAMP NOTE	417232	AHY	JVM	DAF		
01JN12	R	13	-	-	ALL PARTS - ALTERNATIVE MAT'L SIZE WAS MAT'L SIZE AND ADDED PREFERRED MAT'L SIZE COLUMN	418395	AHG	JAA	RP		

PART NO	REV	IN/P	RESTRICTED USAGE	PREFERRED MAT'L SIZE	ALTERNATIVE MAT'L SIZE	MATERIAL DESCRIPTION	SIZE (MM)	ID	DIA	APPLICATION	CABLE SEAL	TYPE	B ₁ ±0.2	B ₂ ±0.3	CONTACT AREA PLATING TYPE (SEE NOTE 7)	CRIMP AREA PLATING TYPE (SEE NOTE 7)
13829771	01	AF	RESTRICTED	0.3 X 26.71	0.3 X 27.38	TIN PLATED COPPER ALLOY	1 - 1.5	15	2.4 - 1.9	SEALED GT	15366060	101	2.95	4.3		
15496531	02	AH	-	0.3 X 26.71	0.3 X 27.38	TIN PLATED COPPER ALLOY	0.75 - 1	17	2.25 - 1.7	SEALED GT	12191227	101	2.65	4.5		
13522325	02	AH	-	0.3 X 26.71	0.3 X 27.38	TIN PLATED COPPER ALLOY	0.35 - 0.5	21	1.85 - 1.3	SEALED GT	12191226	101	2.1	4.3		

6 PROCESS SENSITIVE DIMENSION	
DIMENSIONS ENCLOSED IN () INDICATE REFERENCE DIMENSIONS AND NO TOLERANCE LIMITS ARE ESTABLISHED	CHART CD
FROM 0 TO > 12	
TOLERANCE UNLESS OTHERWISE SPECIFIED: ±0.1	
ANGULAR TOLERANCE ±2°	

THIRD ANGLE PROJECTION		DO NOT SCALE	
USE MATH DATA			

DELPHI
DELPHI PACKARD ELECTRICAL/ELECTRONIC ARCHITECTURE
WARREN, OH
COPYRIGHT 2005 DELPHI CORPORATION AND/OR ITS AFFILIATES. ALL RIGHTS RESERVED.
THIS DRAWING IS THE PROPERTY OF DELPHI CORPORATION. THE REPRODUCTION, DISTRIBUTION AND UTILIZATION OF THIS DOCUMENT OR ITS RELATED CAD DATA, AS WELL AS COMMUNICATION OF ANY CONTENT TO OTHERS, WITHOUT EXPRESS AUTHORIZATION IS PROHIBITED.

DRAWING NUMBER: TAXI TERM F 0T FBT 150 SEALED
13522326

DATE: 11-JUN-12 Time: 09:34

X-ON Electronics

Largest Supplier of Electrical and Electronic Components

Click to view similar products for [Automotive Connectors](#) category:

Click to view products by [Delphi](#) manufacturer:

Other Similar products are found below :

[003-018-000](#) [600858](#) [60403001](#) [60993906-B](#) [60993913-B](#) [629515004020001](#) [M902-2131](#) [M902-2161](#) [M902-2344](#) [72.330.1035.1](#)
[73.353.4028.0](#) [F118010](#) [F119300-B](#) [F132210](#) [F132210-B](#) [F166900](#) [F180100](#) [F258300](#) [F258300-B](#) [F294300-B](#) [F339100](#) [F339700](#) [F358300-](#)
[B](#) [F374110](#) [F407400](#) [F412210](#) [F427600](#) [F444110](#) [F487000](#) [F495100-B](#) [F500900-B](#) [F509500B-B](#) [770444-1](#) [776880-1](#) [827153-1](#) [881735-1](#)
[8N1515-32-24P](#) [9-1326727-8](#) [9-1326729-8](#) [925467-1](#) [925474-1](#) [928905-1](#) [936398-2](#) [964562-1](#) [964562-4](#) [964731-2](#) [965051-1](#) [968782-1](#)
[GT17SA-8DS-HU](#) [GT17VS-10DP-5.2CF](#)