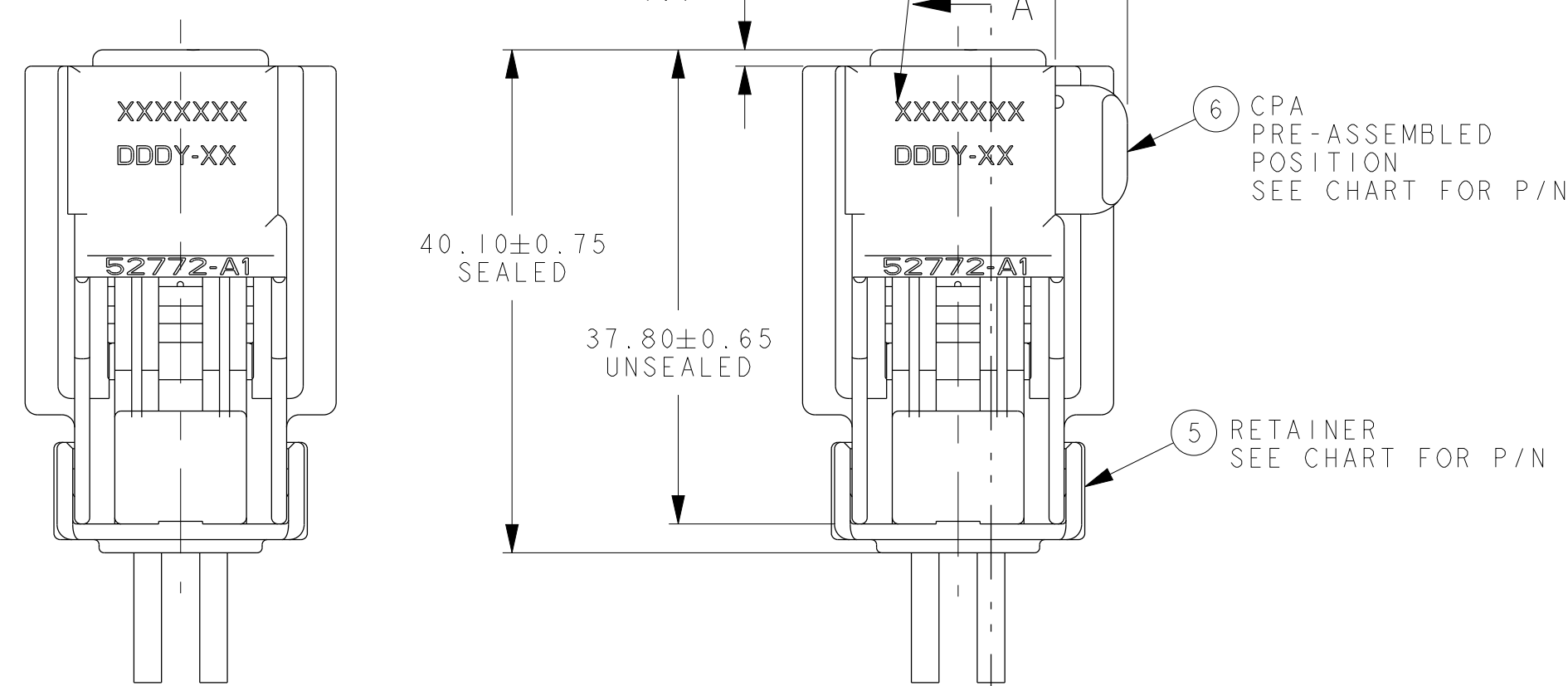
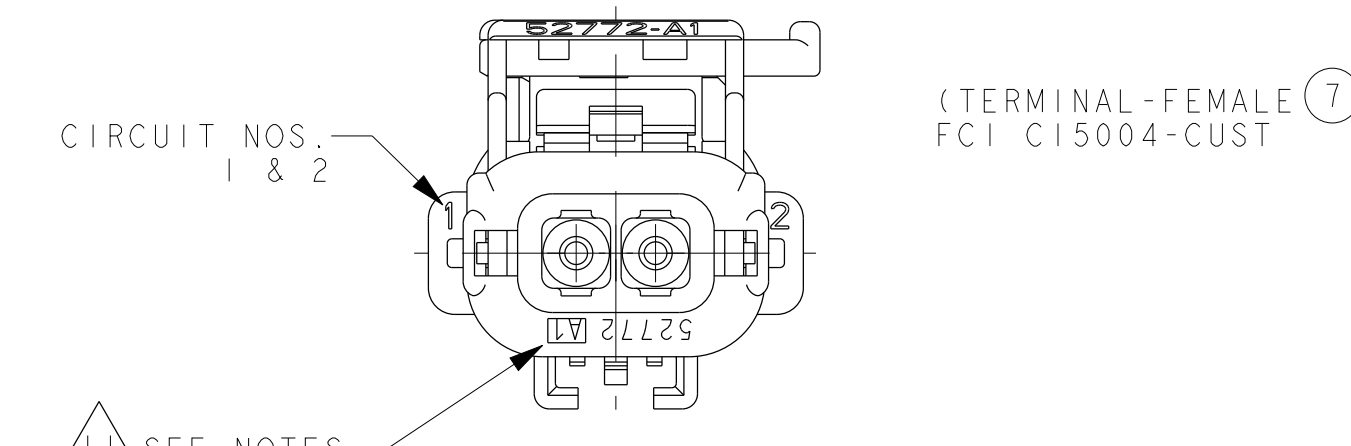


24.80^{+0.50}_{-0.25}
25.71±0.25

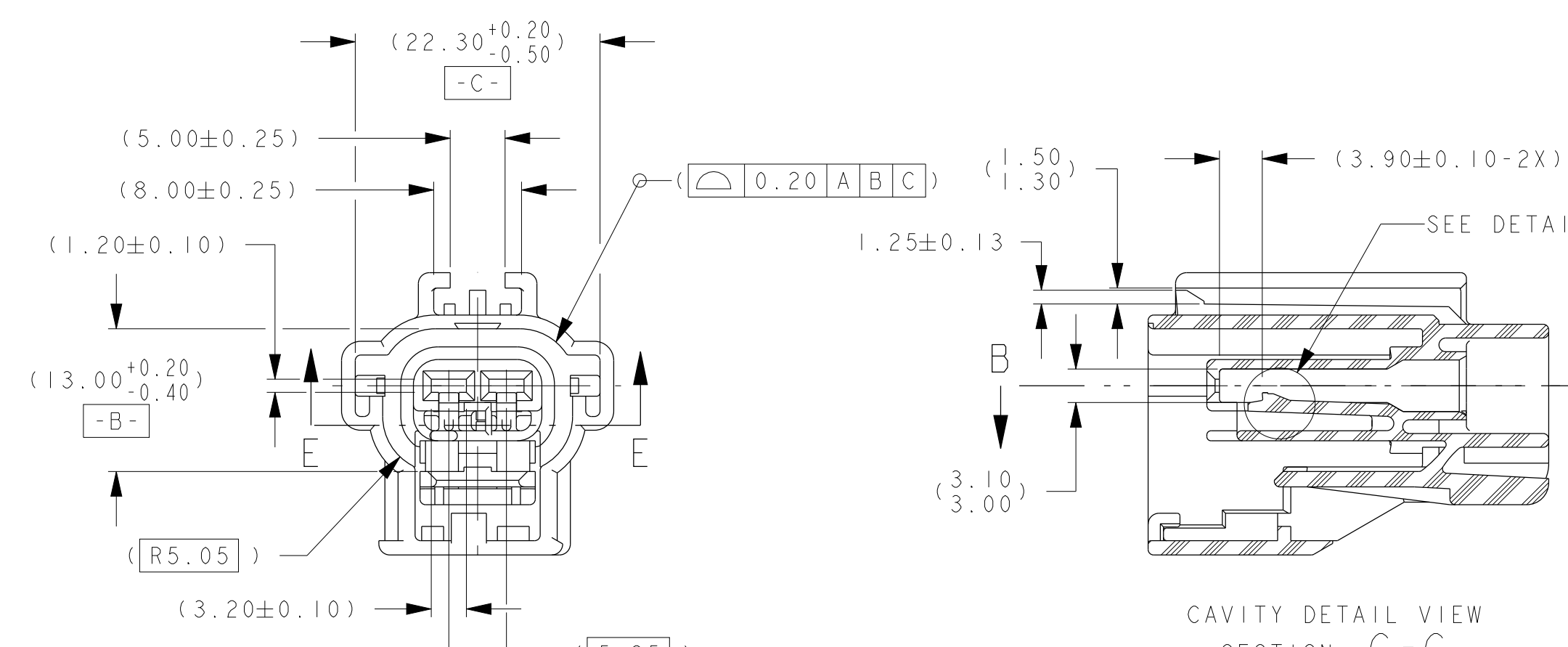


LAST 5 DIGITS OF 8 DIGIT P/N & PART CHANGE LEVEL (PCL) OR LAST 6 DIGITS OF 9 DIGIT OR 10 DIGIT P/N & PART CHANGE LEVEL (PCL)
MFG. DAILY DATE CODE & ASSY MACHINE NO. LETTERING MUST BE LEGIBLE
OPTIONAL
1.7
0.9
6.45
5.65
40.10±0.75 SEALED
37.80±0.65 UNSEALED
CPA PRE-ASSEMBLED POSITION SEE CHART FOR P/N
RETAINER SEE CHART FOR P/N

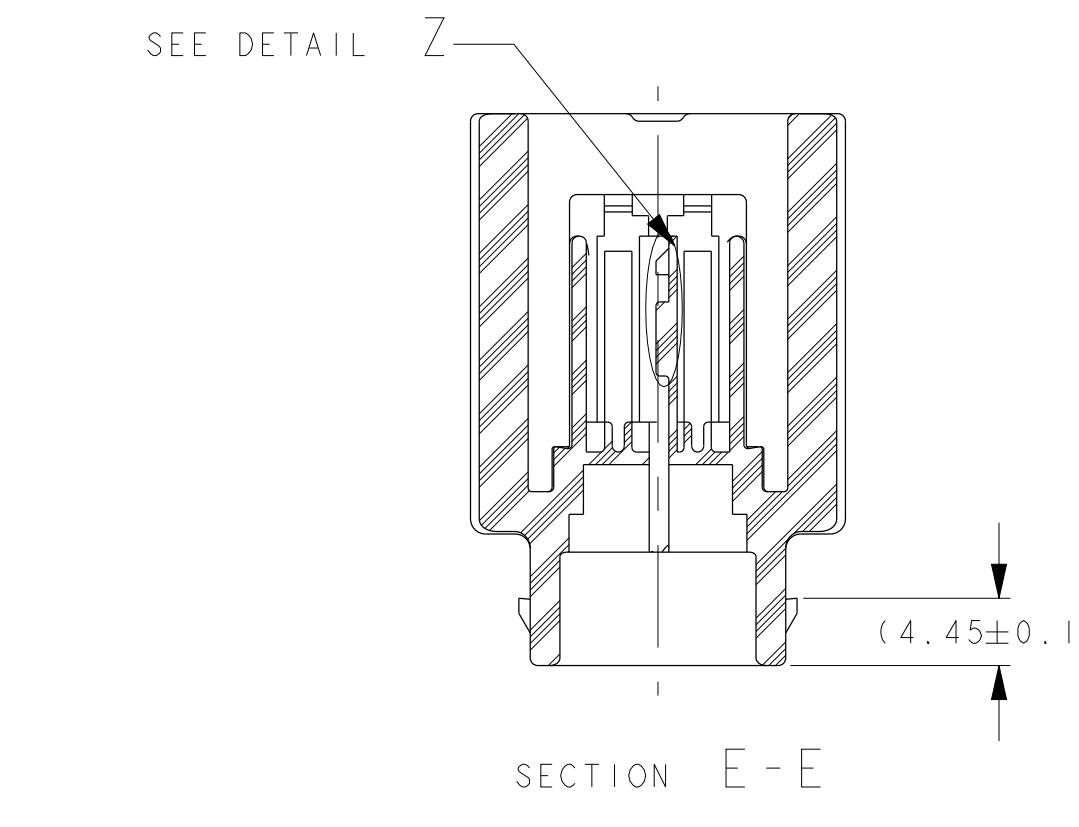
WITHOUT CPA
SEE P/N CHART
ALL DIMENSIONS SAME AS WITH CPA



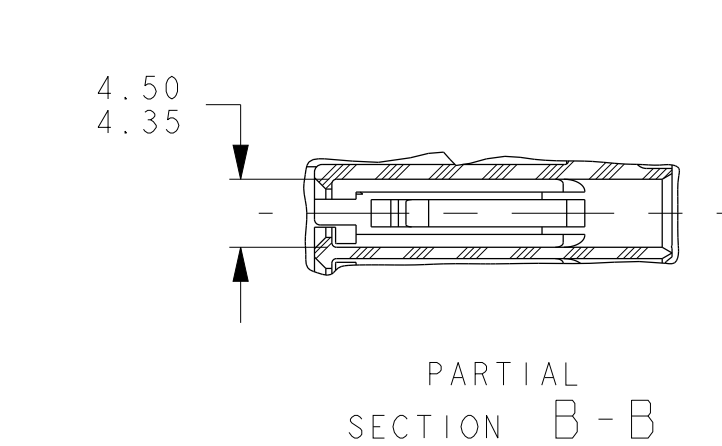
SEALED ASSEMBLY VIEWS
SEE P/N CHART SHOWN WITH CPA'S



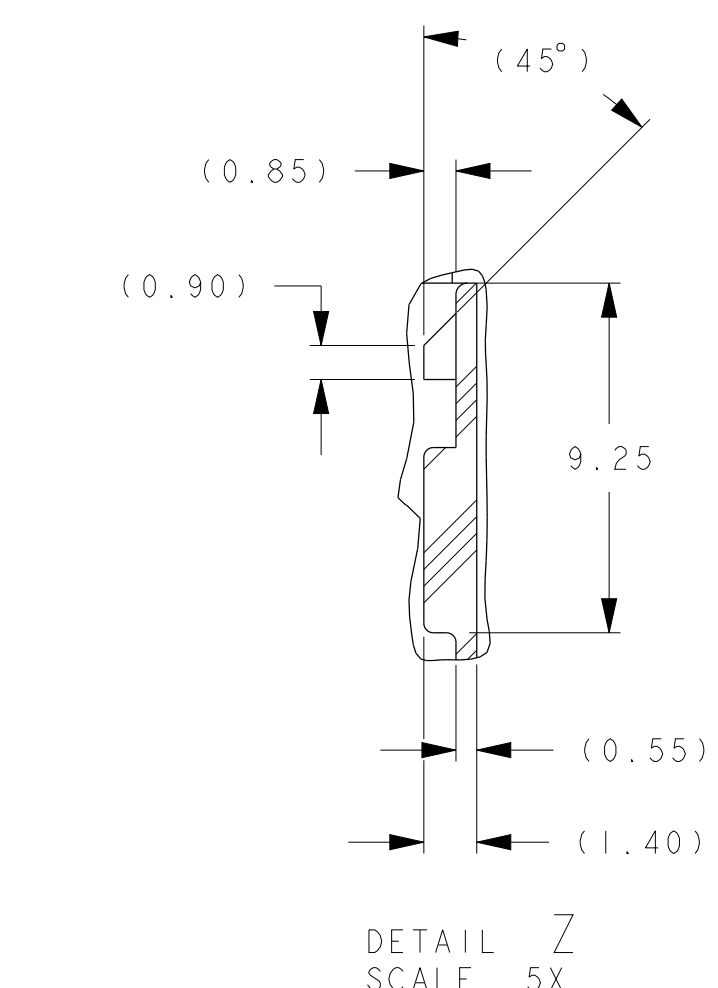
CAVITY DETAIL VIEW SECTION C-C



SECTION E-E

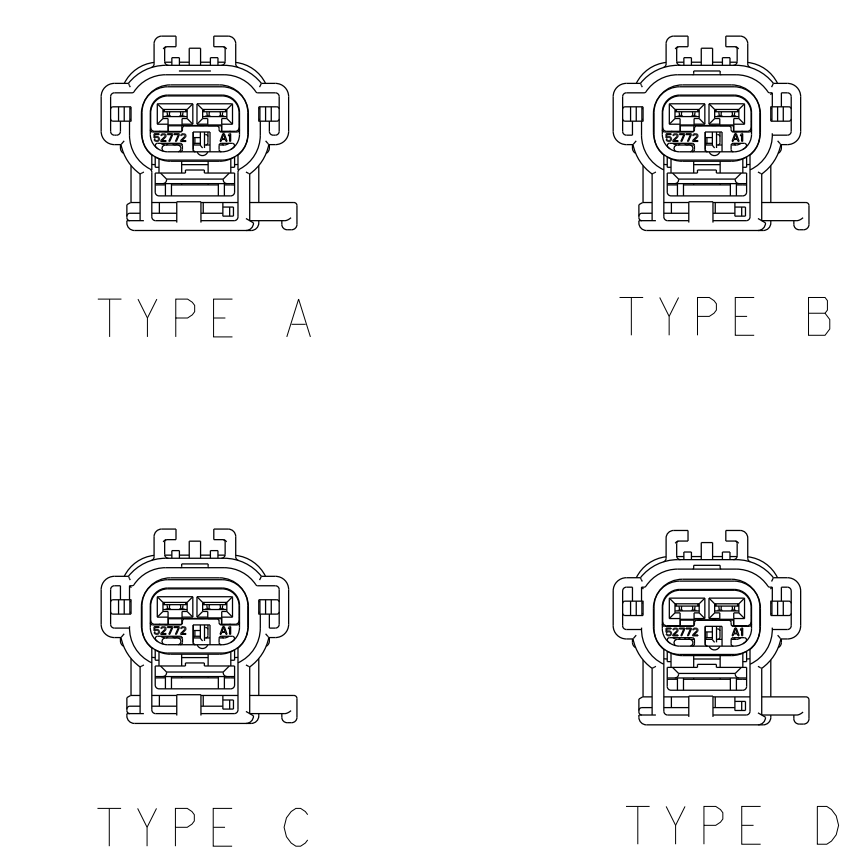


PARTIAL SECTION B-B

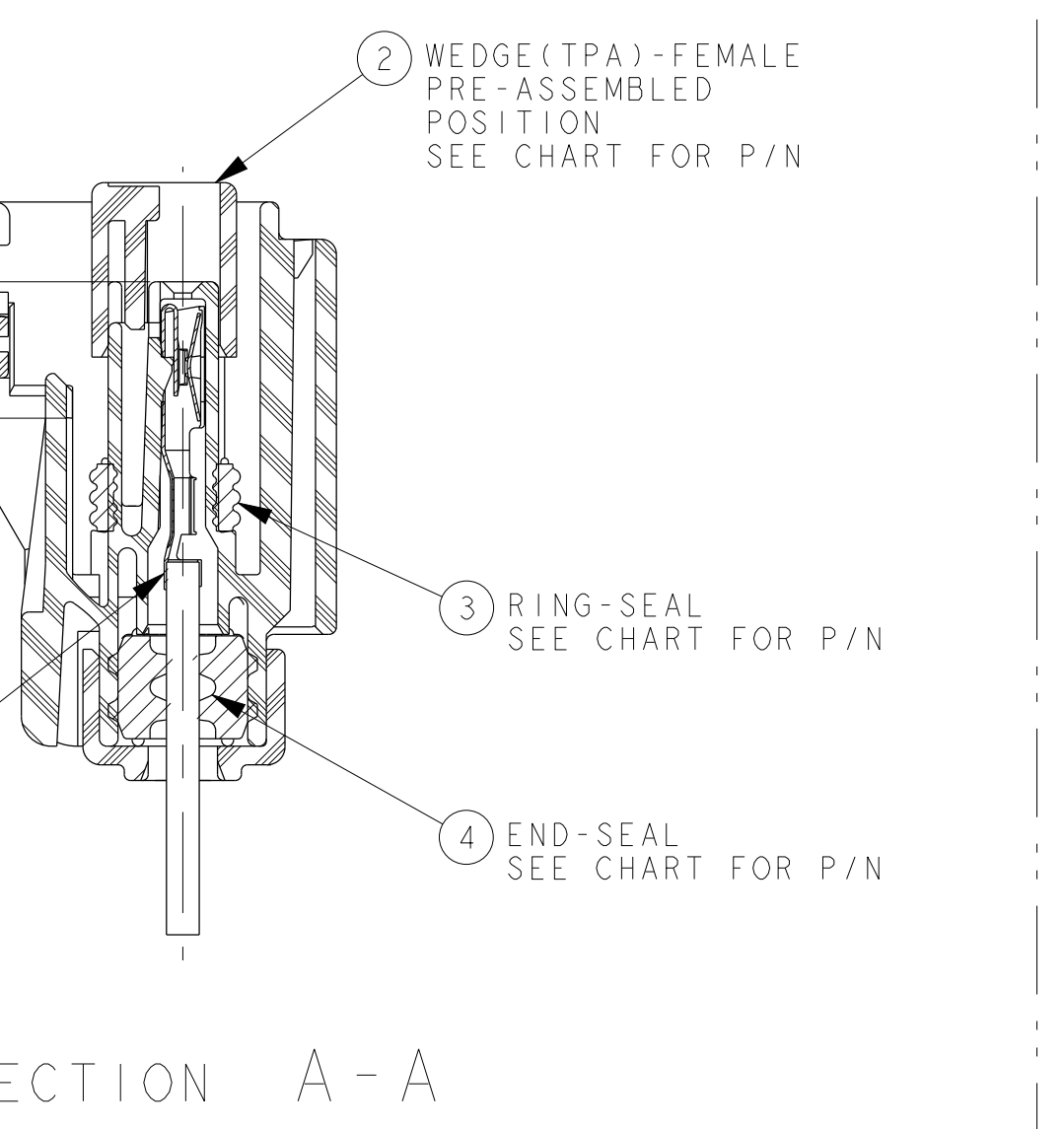


DETAIL Z SCALE 5X

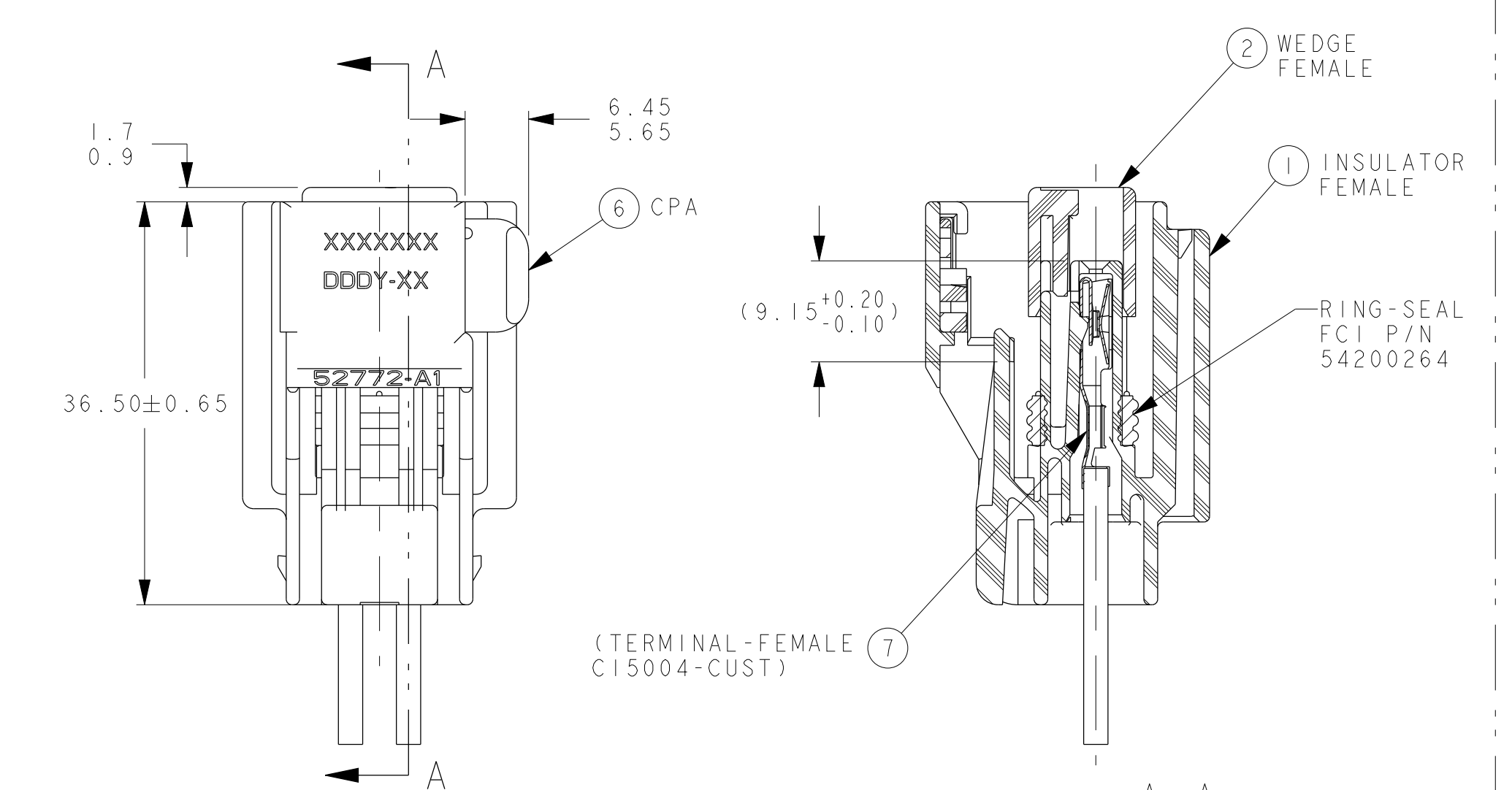
FOR REFERENCE ONLY
INSULATOR VIEWS



POLARIZATION OPTIONS
FULL SIZE
SHOWN W/CPA



SECTION A-A



PARTIALLY SEALED ASSEMBLY VIEWS
SEE PART NUMBER CHART

- NOTES:
- 1 QUALITY ASSURANCE REQUIREMENTS PER CHRYSLER PS-7300: 1 SPC DATA REQUIRED
 - 2 ENGINEERING APPROVAL OF SUPPLIER SAMPLES IS REQUIRED PRIOR TO AUTHORIZATION OF PART PRODUCTION
 - 3 CHANGES IN DESIGN COMPOSITION OR PROCESSING FROM THE PART PREVIOUSLY APPROVED FOR PART PRODUCTION REQUIRES PRIOR ENGINEERING APPROVAL
 - 4 WIRING FABRICATORS MUST PURCHASE FROM SOURCES SHOWN
 - 5 ALL THE SEALED CONNECTOR APPLICATIONS MUST BE USED WITH CHRYSLER WIRE SPEC. MS-8886, MS-9502 OR ISO 6722 EQUIVALENTS THIN WALL X-LINK ONLY
A- ASSEMBLIES WITH FCI P/N'S 54200239 OR 54200240 END SEALS MUST BE USED WITH 20 TO 14AWG OR ISO EQUIVALENTS WIRES WITH INSULATION Ø1.10 TO Ø2.77 O.D.
B- ASSEMBLIES WITH FCI P/N'S 54200241 OR F480510 END SEALS MUST BE USED WITH 14 TO 10AWG OR ISO EQUIVALENTS WIRES WITH INSULATION Ø2.50 TO Ø4.09 O.D.
 - 6 FCI P/N'S 54200238 RING SEAL, 54200240 AND F480510 END SEALS BAKED AT 450°F FOR 5 HOURS TO DRIVE OFF VOLATILES
 - 7 ALL NON-SEALED APPLICATIONS MAY BE USED WITH ANY WIRE INSULATION 22 TO 10AWG OR ISO EQUIVALENTS (EXCEPT AS NOTED BELOW) PROVIDED THAT A TERMINAL GRIP FOR THAT CORE/INSULATION IS SHOWN ON CI5004-CUST FEMALE TERMINAL DRAWING
MAX. INSULATION CRIMP WIDTH = 4.50
MAX. INSULATION CRIMP HEIGHT = 4.50
MAX. INSULATION DIA = 4.09 (10 GA THIN WALL)
 - 8 USE WITH FOLLOWING APPLICABLE COMPONENTS AS NEEDED:
CAVITY PLUG FCI P/N 54200005 (CHRYSLER 54200005)
DOUBLE X-MAS TREE CLIP CHRYSLER P/N 04707091
SINGLE X-MAS TREE CLIP CHRYSLER P/N 04625797
2.80MM APEX FEMALE TERMINAL PER 15004-CUST SYMMETRICAL ABOUT CENTERLINE FOR 180° ORIENTATION
 - 9 DIRECT CONNECT INTERFACE PER FCI G36002 (CHRYSLER 4707027)
 - 10 TEST METHOD PER SAE/JUSCAR-2 REV 5. CONNECTOR ENGAGE & DISENGAGE WITH LATCH DEPRESSED FORCE NOT TO EXCEED 75N FOR THIS SYSTEM
CPA SEATING FORCES - 40N MAX
WEDGE SEATING FORCES - 100N MAX
X-MAS TREE CLIP INSERTION FORCES - 75N MAX

MATING PART NUMBERS CHART							
INDEX TYPE	COLOR	SEALED/UNSEALED	FCI P/N'S		CUSTOMER P/N'S		DIRECT CONNECT APPLICATION
			FCI	CUSTOMER	YNA	FCI	
D	NATURAL	UNSEALED	54200203N	N/A	N/A	55200209	DIRECT CONNECT APPLICATION
		SEALED	54200203	C 04687920	7283-5373	55200209	DIRECT CONNECT APPLICATION
	TAN	UNSEALED	F870510	N/A	N/A	F380510	N/A
		SEALED	54200262	N/A	N/A	54200276	DIRECT CONNECT APPLICATION
C	DK GREY	UNSEALED	54200209N	N/A	N/A	55200205	DIRECT CONNECT APPLICATION
		SEALED	54200209	C 04687916	7283-5375	55200205	DIRECT CONNECT APPLICATION
	DK. BROWN	UNSEALED	54200202N	N/A	N/A	55200208	DIRECT CONNECT APPLICATION
		SEALED	54200202	C 04687919	7283-5372-10	55200208	DIRECT CONNECT APPLICATION
B	LT GREY	UNSEALED	54200208	C 04687914	7283-5374-10	55200204	DIRECT CONNECT APPLICATION
		SEALED	54200208N	N/A	N/A	55200204	DIRECT CONNECT APPLICATION
	DK. BLUE	UNSEALED	54200260	N/A	N/A	54200274	N/A
		SEALED	54200260	N/A	N/A	54200274	N/A
A	LT GRN	UNSEALED	54200214N	C 56021913AA	7283-6210-30		DIRECT CONNECT APPLICATION
		SEALED	54200214	C 56021913AA	7283-6210-30		DIRECT CONNECT APPLICATION
	DK GRN	UNSEALED	F670510	N/A	N/A	F080510	N/A
		SEALED	55200200	N/A	-	54200273	N/A

CHART-ASSEMBLY PART NUMBERS								
FCI P/N'S	CUSTOMER P/N'S	UNSEALED				SEALED		TEMPERATURE CLASS 3
		W/O CPA	W/CPA	W/CPA	W/O CPA	TEMPERATURE CLASS 4	REQUIRED	
54200251N	54200200N							
54200200N	54200200N							
54200209N	54200200N							
54200205N	54200200N							
54200202N	54200200N							
54200208N	54200200N							
54200204N	54200200N							
54200206N	54200200N							
54200207N	54200200N							
54200201N	54200200N							
54200203N	54200200N							
54200209N	54200200N							
54200202N	54200200N							
54200208N	54200200N							
54200204N	54200200N							
54200206N	54200200N							
54200207N	54200200N							
54200201N	54200200N							
54200203N	54200200N							

FCI NO.	(CHRYSLER)	COLOR	ITEM	PART NAME (MATERIAL)	INDEX	FCI NO.	COLOR	REQUIRED
54200227	04687793	BLACK	1	INSULATOR PA66GF	A	54200255	BLACK	I
54200231	*91012136	LT GREEN	1	INSULATOR PA66GF	A	55200201	DK GREEN	I
54200228	04687944	LT GREY	1	INSULATOR PA66GF	B	54200256	DK BLUE	I
54200229	04687945	DK GREY	1	INSULATOR PA66GF	C	54200257	DK BROWN	I
54200230	04687946	NATURAL	1	INSULATOR PA66GF	D	54200258	TAN	I
54200225	04687976	ROYAL BLUE	2	WEDGE PA66GF		54200281	NATURAL	I
54200237	04687975	RED	3	RING SEAL SILICONE				
54200264	N/A	DK GREEN	3	RING SEAL FL. SILICONE				
54200238	*91012137	DK BLUE	3	RING SEAL SILICONE		54200238	DK BLUE	I
54200239	04687942	LT BLUE	4	END SEAL SILICONE				
54200240	*91012138	BURNT ORANGE	4	END SEAL SILICONE		54200240	LT GREEN	I
54200241	04687943	BLACK	5	RETAINER PA66GF		54200271	NATURAL	I
54200234	04687938	BLACK	5	CPA LATCH PA66GF				
54200003	04687739	RED	6	CPA LATCH PA66GF				

CHART - ASSEMBLY PART NUMBERS								
FCI P/N'S	CUSTOMER P/N'S	UNSEALED				SEALED		TEMPERATURE CLASS 3
		W/O CPA	W/CPA	W/CPA	W/O CPA	TEMPERATURE CLASS 4	REQUIRED	
54200259	7283-8377-30							
55200200	7283-8377-66							
54200200N								
54200260								
54200261								
54200262								
F670510								
F870510								
F90510								

CUSTOMER LEGENDS:
CHRYSLER: C
FORD: F
GENERAL MOTORS: GM
YAZAKI: NA: Y

12-01346 L8 APPLICABLE WIRE NOTES REVISED FOR ISO 6722 EQUIVALENTS WIRE APPLICATION FOR 54200241 REVISED FROM 14 TO 10AWG

12-01025 E10 CONNECTOR ASSEMBLY P/N'S F670510 TO F90510 AND END SEAL P/N F480510 ADDED FOR TEMP CLASS 4 AND 10/12AWG APPLICATION. ASSEMBLY P/N CHARTS UPDATED & NOTES REVISED

12-00661 ALL REVISED AND REDRAWN IN THIS SEE REV 01 FOR PREVIOUS CHANGES.

REV: 2.8 DATE: 11/22/01

DESIGNER: J. S. J. DATE: 11/22/01

PROJECT: 2B APEX CONNECTOR SYSTEM

DRAWING NUMBER: HS9000 X SERIAL RELEASED

STATE: OHIO SHEET: 1 OF 1

DATE: 11/22/01

X-ON Electronics

Largest Supplier of Electrical and Electronic Components

Click to view similar products for [Automotive Connectors](#) category:

Click to view products by [Delphi](#) manufacturer:

Other Similar products are found below :

[003-018-000](#) [600858](#) [60403001](#) [60993906-B](#) [60993913-B](#) [629515004020001](#) [M902-2131](#) [M902-2161](#) [M902-2344](#) [72.330.1035.1](#)
[73.353.4028.0](#) [F118010](#) [F119300-B](#) [F132210](#) [F132210-B](#) [F166900](#) [F180100](#) [F258300](#) [F258300-B](#) [F294300-B](#) [F339100](#) [F339700](#) [F358300-](#)
[B](#) [F374110](#) [F407400](#) [F412210](#) [F427600](#) [F444110](#) [F487000](#) [F495100-B](#) [F500900-B](#) [F509500B-B](#) [770444-1](#) [776880-1](#) [827153-1](#) [881735-1](#)
[8N1515-32-24P](#) [9-1326727-8](#) [9-1326729-8](#) [925467-1](#) [925474-1](#) [928905-1](#) [936398-2](#) [964562-1](#) [964562-4](#) [964731-2](#) [965051-1](#) [968782-1](#)
[GT17SA-8DS-HU](#) [GT17VS-10DP-5.2CF](#)