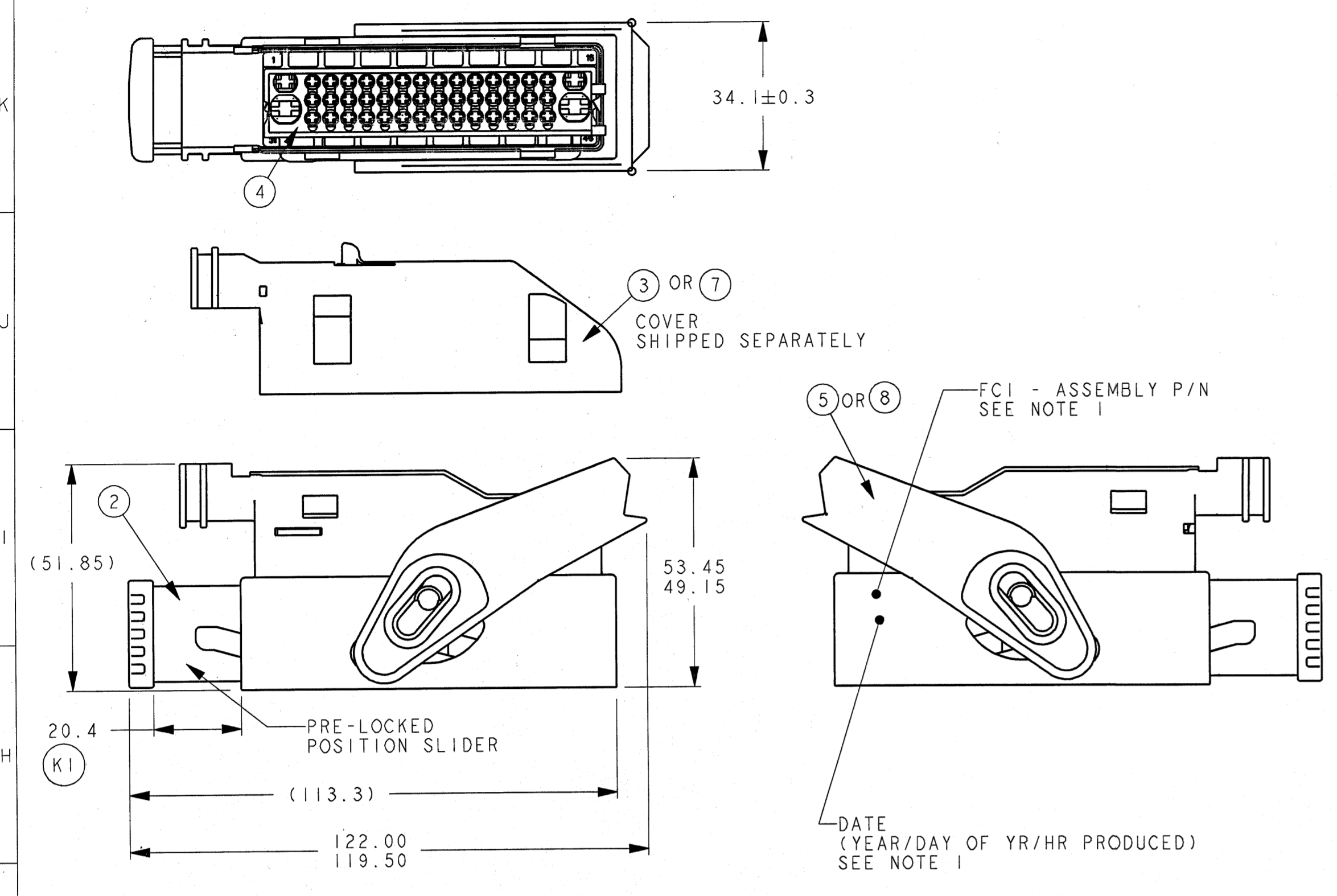
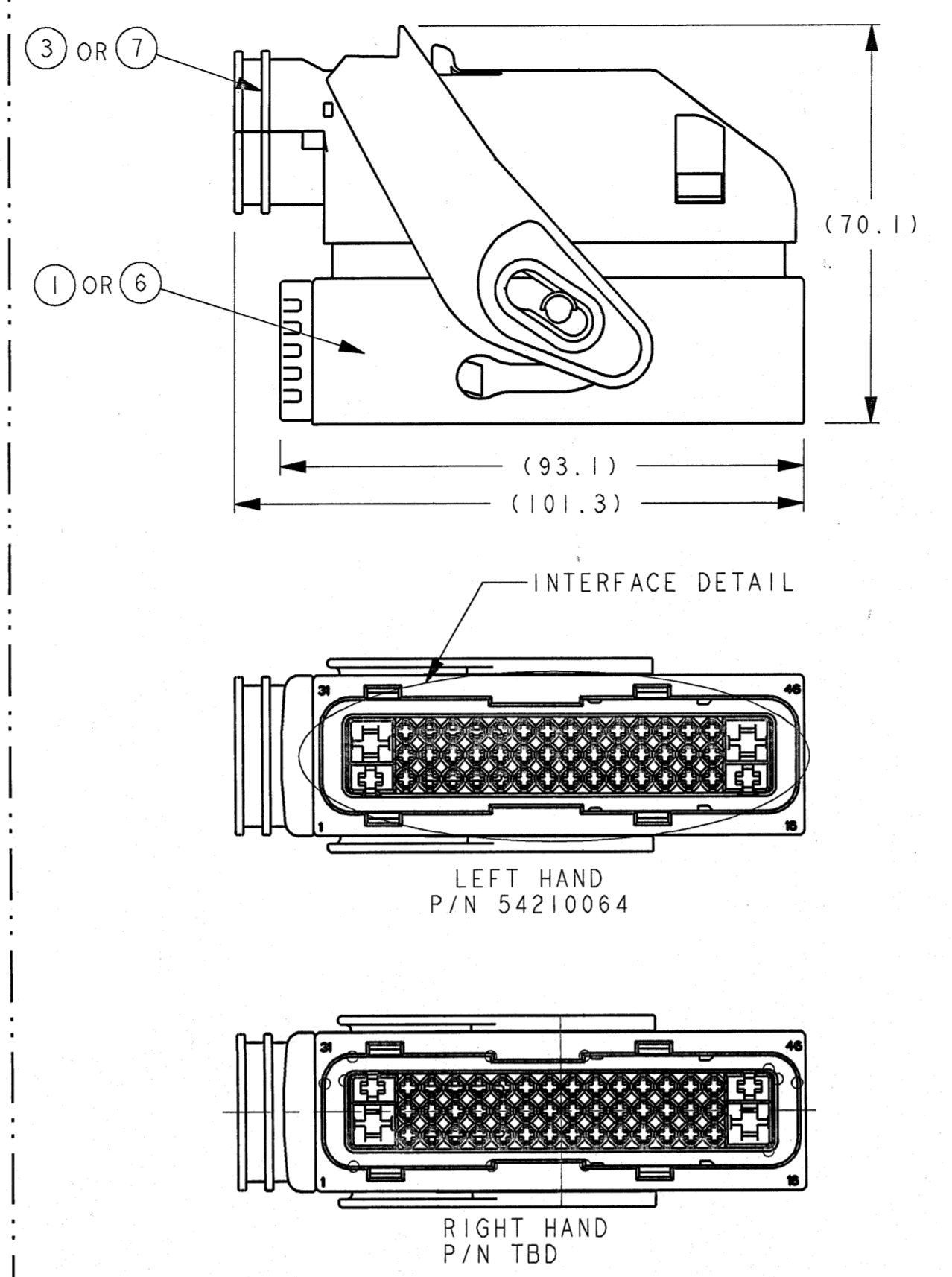


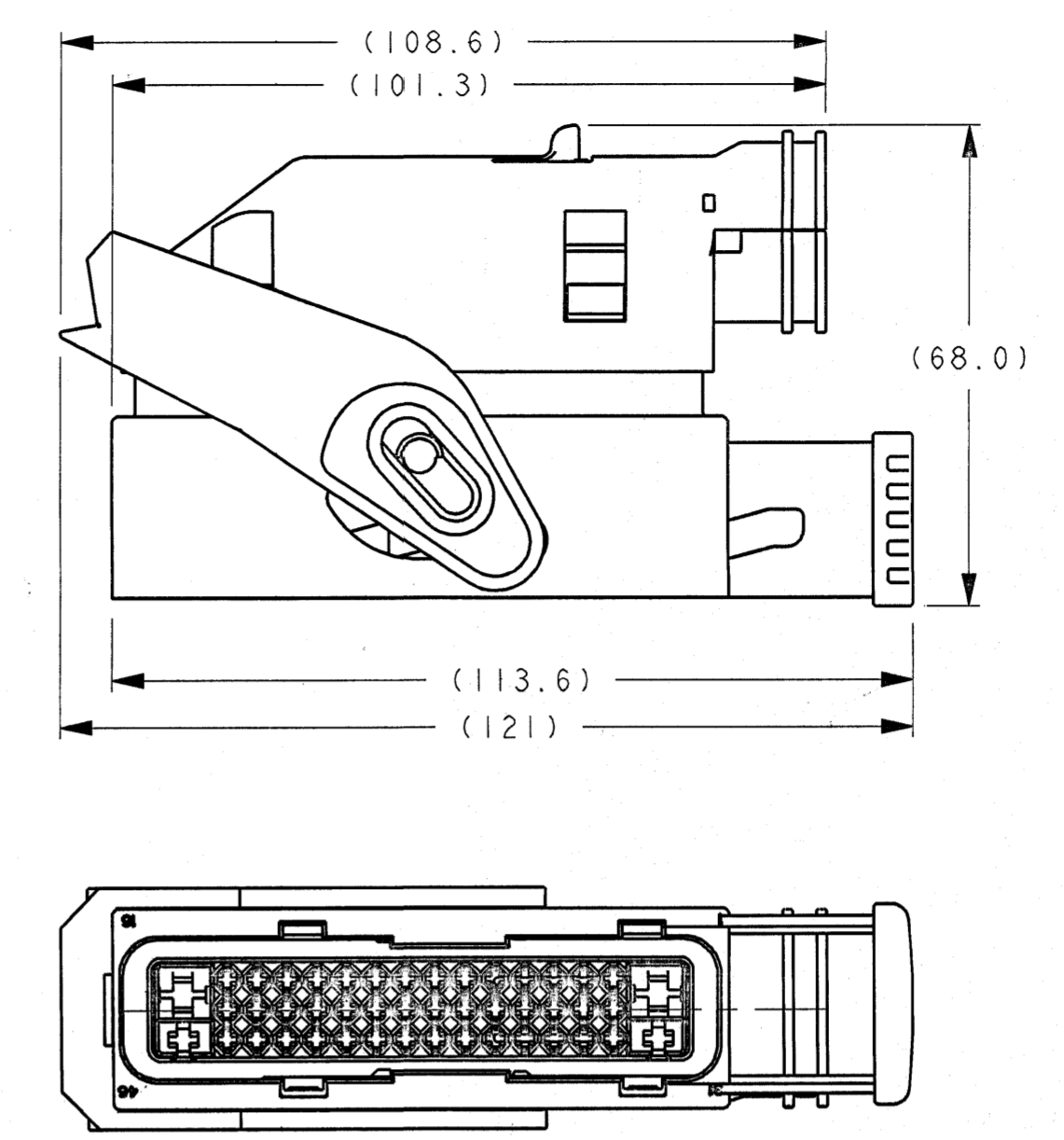
DELIVERY CONDITION: LEFT HAND VERSION SHOWN
RIGHT HAND VERSION SYMMETRICALLY OPPOSITE



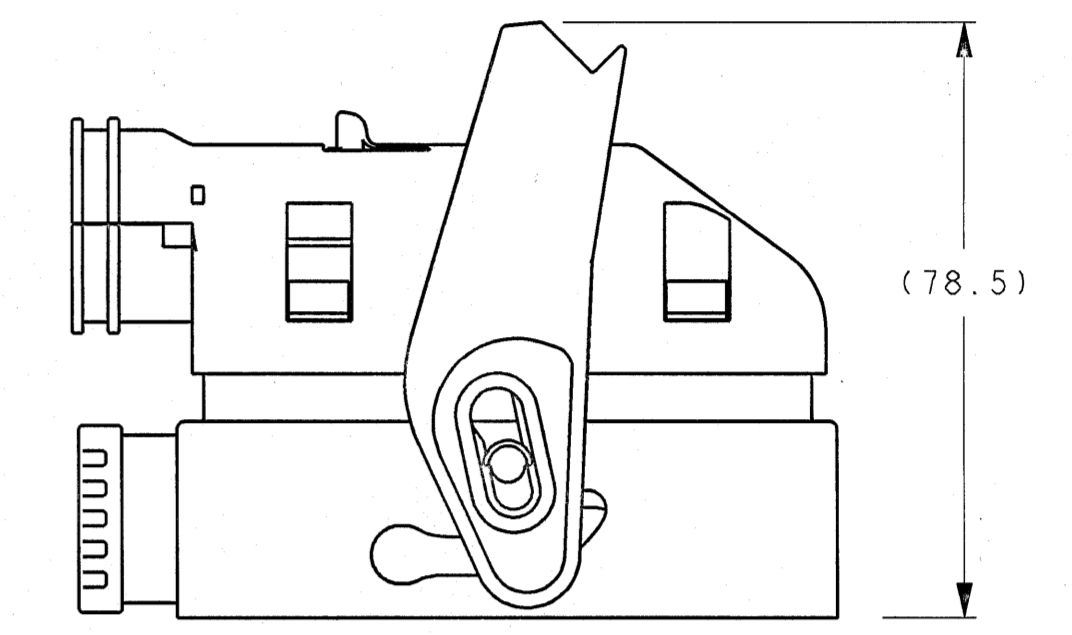
INSTALLATION OVERALL DIMENSIONS:
CLOSED POSITION



OPEN CONDITION: RIGHT HAND VERSION
COVER SHIPPED SEPARATELY
COVER SHOWN FOR VISUALIZATION ONLY
LEFT HAND VERSION SYMMETRICALLY OPPOSITE



ASSEMBLY AT HIGHEST LOCATION
DURING INSTALLATION



TERMINAL, SEAL AND WIRE SIZE CHART

BOX-TERMINAL	WIRE SIZE (AWG)	PLATING TYPE	INSULATION TYPE	SEAL PART NUMBER	WIRE SIZE (AWG)	MATERIAL/COLOR
BOX-TERMINAL 4.8 FEMALE 6 004 04 61	10	MATTE TIN	TXL	6 099 26 06	10	SILICONE / WHITE
BOX-TERMINAL 4.8 FEMALE 6 004 04 51	12		GXL/TXL	6 099 26 06	12	SILICONE / WHITE
BOX-TERMINAL 4.8 FEMALE 6 004 04 41	14-16	MATTE TIN	GXL/TXL	6 099 26 04	14	SILICONE / YELLOW
BOX-TERMINAL 4.8 FEMALE 6 004 04 31 6 004 04 32	18-20		GXL/TXL	6 099 26 07	18-20 TXL	SILICONE / GREEN
DCS-2 2.8 mm FEMALE 6 001 29 41 6 001 29 42	14-16	MATTE TIN	GXL/TXL	6 099 40 34	14-16 GXL	SILICONE / YELLOW
DCS-2 2.8 mm FEMALE 6 001 29 41 6 001 29 42	18-20		GXL/TXL	6 099 40 23	14 TXL	SILICONE / BROWN
			GXL/TXL	6 099 40 23	16 TXL	SILICONE / BROWN
DCS-2 2.8 mm FEMALE 6 001 29 11 6 001 29 12	22	GXL/TXL	6 099 40 15	22 GXL/TXL	SILICONE / BLUE	
DCS-2 1.5 mm FEMALE 6 000 06 41	16	MATTE TIN	TXL	6 099 39 34	16-18	SILICONE / YELLOW
DCS-2 1.5 mm FEMALE 6 000 06 31	18-20		GXL	A-0110**	18-20	SILICONE / BURNT ORANGE
DCS-2 1.5 mm FEMALE 6 000 06 31	18-20		TXL	6 099 39 28	20	SILICONE / GRAY
DCS-2 1.5 mm FEMALE 6 000 06 11	22-24	TXL	6 099 39 13	22	SILICONE / RED	
CAVITY PLUG 1.5mm	N/A	N/A	N/A	6 099 39 06	N/A	SILICONE / WHITE

** VENDOR - QSR (QUALITY SYNTHETIC RUBBER)

CONNECTOR CAVITY FLASHOVER CHART (K2)

PROGRAM	HOUSING PART NUMBER	ASSEMBLY * PART NUMBER	KEY	WIRE DRESS	CONTACT CAVITY FLASHOVER PATTERN ("X" SIGNIFIES FLASHED OVER CAVITY)
46-WAY ABS (VENUS)	54210041	54210043	N/A	LH	31 X2 X3 X4 X5 X6 X7 X8 X9 X011 X12 X13 X14 X15 X16 46
	54210041A***	54210043A			X1 X2 X3 X4 X5 X6 X7 X8 X9 X011 X12 X13 X14 X15 X16
	54210042	54210044	N/A	LH	31 X2 X3 X4 X5 X6 X7 X8 X9 X011 X12 X13 X14 X15 X16 46
	54210042A***	54210044A			X1 X2 X3 X4 X5 X6 X7 X8 X9 X011 X12 X13 X14 X15 X16

CAVITY VIEW PERSPECTIVE LOOKING AT BOTTOM OF CONNECTOR
*CONTACT FCI FOR DELIVERY LEAD TIME
***PART MATERIAL >PA66-GF35<

- NOTES:
- FCI CONNECTOR ASSEMBLY PART NUMBER (LAST 4 OR 5 DIGITS) DATE (YR/DAY OF YR/HR PRODUCED) LASER MARKING THIS LOCATION.
 - (K) INDICATES IN-PROCESS INSPECTION FOR MANUFACTURING, DIMENSIONS(S) OR SPECIFICATIONS(S) REQUIRED (3).
 - (NOTE REMOVED)
 - COMPONENTS MOLDED PRIOR TO 3/2/04 HAVE NO P/N MARKING, WERE MARKED WITH >SPS-GF30< DESIGNATION.
 - OPTIONAL MATERIAL PRIOR TO 3/2/04. QUESTRA N WA 7030, COLOR GRAY
 - COMPONENTS MOLDED PRIOR TO 3/2/04 WERE MARKED WITH >SPS-GF20< DESIGNATION
 - COMPONENTS MOLDED PRIOR TO 3/2/04 WERE MARKED WITH P/N 54210047 AND 2003 CALENDAR YEAR DESIGNATION.
 - QUALITY ASSURANCE REQUIREMENTS SPC DATA - SEALING COMPRESSION GAP MEASUREMENT 0-0.45mm USING GAUGE TL-346-J WHERE 0 - REPRESENTS AIR GAP OF 1.85mm AND 0.45mm AIR GAP OF 1.40mm MEASURE IN MIDDLE OF SEAL AREA
 - MATES WITH P/N'S 54430013, 54430012 & 54430011
 - FOR ALL COMPONENT PART NUMBERS ENDING IN "A" (ALL COMPONENT PARTS MADE FROM PA66-GF35) THE MOLDED IN PART NUMBER MAY APPEAR WITHOUT THE LETTER "A", HOWEVER, THE MOLDED IN MATERIAL CODE MUST BE ">PA66-GF35<".

UNCONTROLLED

FCI AUTOMOTIVE
MAR - 3 2006
MASTER COPY WHEN IN RED

ECN NUMBER	DATE	W-D-Y	REVISION	ZONE	CHANGE DESCRIPTION	DRAWN BY	CHK BY	APPR BY
8388	02/28/06	C	K10, J13	ADDED ITEM NUMBERS TO CORRESPOND WITH ITEM OPTIONS	LDW	ALM	ALM	
8164	11/28/05	B	A18	UPDATED PART NUMBERS TO INCLUDE ALTERNATE MATERIALS	LDW	ALM	ALM	
8164	11/28/05	B	C9	UPDATED PART NUMBERS TO REFLECT ALTERNATE MATERIAL	LDW	ALM	ALM	
6871	06/21/04	A		PRODUCTION RELEASE	DEH	TK	TK	

ASSEMBLY COMPONENTS

REQUIRED ITEM	PART NUMBER	DESCRIPTION	MATERIAL	COLOR
X	54210053	FEMALE HOUSING - LH	>SPS-GF20<	BLACK
X	54210065	SLIDER	>POM-GF25<	WHITE (NATURAL)
X	54210045	WIRE DRESS COVER	>SPS-GF30<	BLACK
X	54210014	CABLE SEAL RETAINER - LH	>PA66-GF15<	NATURAL
X	54210046	LEVER	>SPS-GF30<	GRAY
X	54210053A	FEMALE HOUSING - LH	>PA66-GF35<	BLACK
X	54210045A	WIRE DRESS COVER	>PA66-GF35<	BLACK
X	54210046A	LEVER	>PA66-GF35<	GRAY

SEE CHART	PART NUMBER	DESCRIPTION	PART NUMBER	REV DATE	RLV	DRAWING NUMBER
	F.C.I.					CUSTOMER

F4D4

X-ON Electronics

Largest Supplier of Electrical and Electronic Components

Click to view similar products for [Automotive Connectors](#) category:

Click to view products by [Delphi](#) manufacturer:

Other Similar products are found below :

[003-018-000](#) [600858](#) [60403001](#) [60993906-B](#) [60993913-B](#) [629515004020001](#) [M902-2131](#) [M902-2161](#) [M902-2344](#) [72.330.1035.1](#)
[73.353.4028.0](#) [F118010](#) [F119300-B](#) [F132210](#) [F132210-B](#) [F166900](#) [F180100](#) [F258300](#) [F258300-B](#) [F294300-B](#) [F339100](#) [F339700](#) [F358300-](#)
[B](#) [F374110](#) [F407400](#) [F412210](#) [F427600](#) [F444110](#) [F487000](#) [F495100-B](#) [F500900-B](#) [F509500B-B](#) [770444-1](#) [776880-1](#) [827153-1](#) [881735-1](#)
[8N1515-32-24P](#) [9-1326727-8](#) [9-1326729-8](#) [925467-1](#) [925474-1](#) [928905-1](#) [936398-2](#) [964562-1](#) [964562-4](#) [964731-2](#) [965051-1](#) [968782-1](#)
[GT17SA-8DS-HU](#) [GT17VS-10DP-5.2CF](#)