



KE SERIES

HIGH PERFORMANCE IEC CONNECTOR FILTERS



INTRODUCTIONS

1. Specially designed with ground choke providing most effective EMI suppression for high frequency noise (ranged 5MHz-25MHz).
2. Bleeder resistor can be added with suffix "-R" on part numbers.
3. With optional 3300pF Y capacitor instead of 2200pF.
4. With optional 0.1uF X capacitor instead of 0.047uF.
5. With optional solder lug connection instead of fast on terminal.
6. All part numbers are UL recongnized, CSA certified and VDE approved.

COMPONENTS

PART NO.	L (mH)	Cx (uF)	Cy (pF)	Lg (uH)
03KEEG3DA/03KEEW3DA	3.1	0.047	2200	100
03KEEG3EA/03KEEW3EA		0.1		
*08KEEG3DA/08KEEW3DA	0.8	0.047	2200	100
*08KEEG3EA/08KEEW3EA		0.1		
**10KEEG3DA/10KEEW3DA	0.4	0.047	2200	100
*10KEEG3EA/10KEEW3EA		0.1		

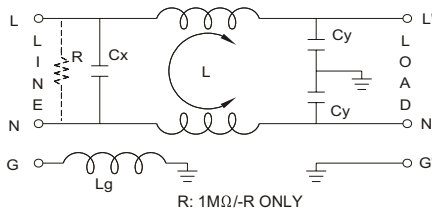
** UL, CSA & VDE approved to 9A 115/250VAC
* VDE approved to 6A 250V

MINIMUM INSERTION LOSS IN dB

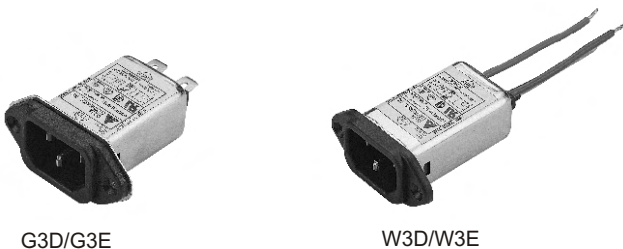
COMMON MODE (L-G) IN 50 OHM SYSTEM						
PART NO.	FREQUENCY-MHz					
	.15	.50	1.0	5.0	10	30
03KEEG3DA/03KEEW3DA	20	30	35	45	45	45
03KEEG3EA/03KEEW3EA	15	20	25	40	40	45
08KEEG3DA/08KEEW3DA	10	15	45	40	40	50
08KEEG3EA/08KEEW3EA	10	15	20	35	40	50
10KEEG3DA/10KEEW3DA	2	10	15	20	35	40
10KEEG3EA/10KEEW3EA	7	12	18	30	30	50

DIFFERENTIAL MODE (L-L) IN 50 OHM SYSTEM						
PART NO.	FREQUENCY-MHz					
	.15	.50	1.0	5.0	10	30
03KEEG3DA/03KEEW3DA	0	8	12	45	45	45
03KEEG3EA/03KEEW3EA	5	12	15	40	50	45
08KEEG3DA/08KEEW3DA	0	5	12	40	40	40
08KEEG3EA/08KEEW3EA	5	10	15	45	40	50
10KEEG3DA/10KEEW3DA	0	3	10	35	35	40
10KEEG3EA/10KEEW3EA	5	12	18	30	30	50

ELECTRICAL SCHEMATIC



MECHANICAL CONSTRUCTION



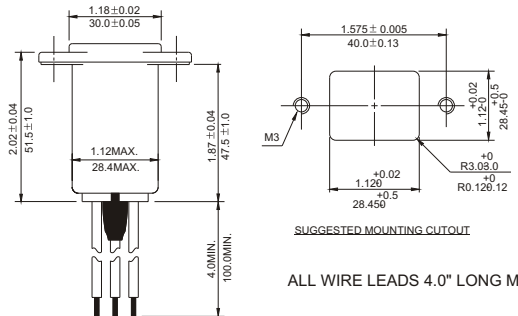
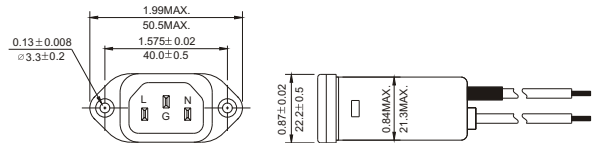
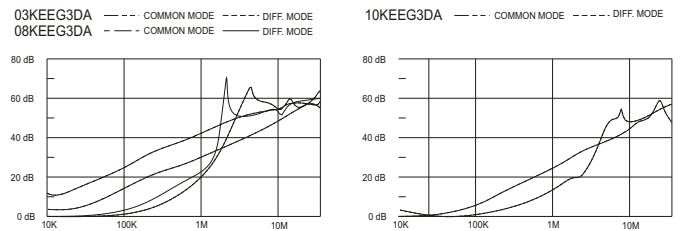
G3D/G3E

W3D/W3E

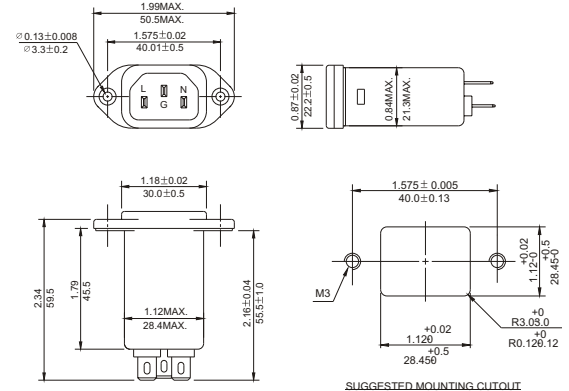
SPECIFICATIONS

1. Maximum leakage current each line-to-ground @ 115VAC 60Hz: 0.20mA @ 250VAC 50Hz: 0.40mA
2. Hipot rating (one minute) line-to-ground: 2250VDC line-to-line: 1450VDC
3. Operating frequency: 50/60Hz
4. Rated voltage: 115/250VAC

INSERTION LOSS (TYPICAL)



W3D/W3E



G3D/G3E

UNIT: INCH/mm

X-ON Electronics

Largest Supplier of Electrical and Electronic Components

Click to view similar products for [AC Power Entry Modules](#) category:

Click to view products by [Delta](#) manufacturer:

Other Similar products are found below :

[0098.0050](#) [6167.0002](#) [6609100-2](#) [7-6609955-2](#) [FKI2-50-6/M5](#) [FN361-6-06](#) [FN389-4-22](#) [FN9226B-6-02](#) [FN9233S1-10-06](#) [FN9233S1-8-06](#)
[FN9233S1B-8-06](#) [FN9233S1R-1-06](#) [FN9233S1R-12-06](#) [FN9233SB-1-06](#) [FN9233SB-12-06](#) [FN9233SB-8-06](#) [FN9233SR-10-06](#) [FN9244B-15-06HI](#) [FN9244EB-3-06](#) [FN9244EB-8-06](#) [FN9244ER-15-06](#) [FN9244ER-8-06](#) [FN9244ES1-8-06](#) [FN9244ESB-8-06](#) [FN9244R-12-06](#)
[FN9244S1-12-06](#) [FN9244S1R-3-06](#) [FN9244SB-8-06](#) [FN9244SR-6-06](#) [FN9244U-3-06](#) [FN9244U-8-06](#) [8-6609940-2](#) [PE00SSSXB](#) [Fuse-H-EUR-1](#) [Fuse-H-USA-1](#) [PM00XD000](#) [A-0701-HT-H](#) [15EJMS8](#) [1-6609941-2](#) [200JM6-2](#) [CA121003-6](#) [SK-1015\(F1-5\)](#) [161-R3015-E](#) [1-6609153-2](#) [FN323-1-05](#) [FN9233B-8-06](#) [FN9233EB-1-06](#) [FN9233ES1R-10-06](#) [FN9233R-12-06](#) [FN9233S-10-06](#)