

### INTRODUCTIONS

1. Power module incorporates an IEC connector, single or double-fuse (IEC 5x20mm) holder, and double-pole power switch, plus an EMI filter all-in-one easy-to-install unit.
2. All part numbers are UL, CSA and VDE approved.
3. With optional Y CAP. from 1000/3300pF.
4. Switch electrical lifetime: 10,000 cycles.  
Maximum inrush current: 50A

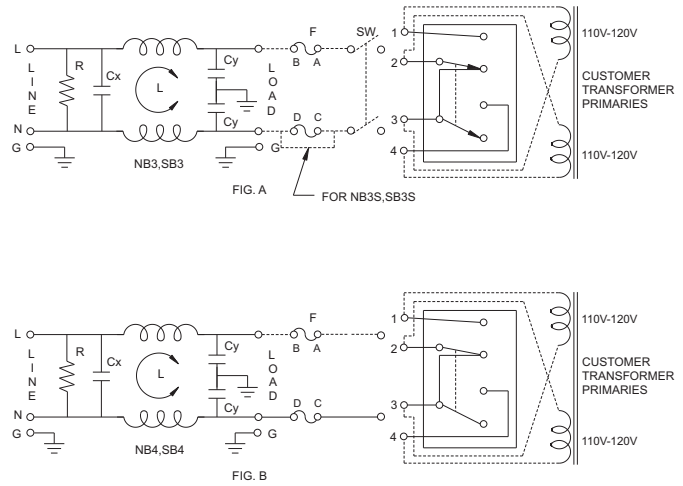
### SPECIFICATIONS

1. Maximum leakage current each line-to-ground@115VAC 60Hz: 0.2mA  
@250VAC 50Hz: 0.4mA
2. Hipot rating (one minute)  
line-to-ground: 2250VDC  
line-to-line: 1450VDC
3. Operating frequency: 50/60Hz
4. Rated voltage: 115/250VAC

### COMPONENTS

PART NO.	Cx (uF)	L (mH)	Cy (pF)	R(Ω)
03NB3	0.1	2.5	2200	1M
03NB4				
03NB3S				
04NB3		2.0		
04NB4				
04NB3S				
06NB3		1.05		
06NB4				
06NB3S				
10NB3		0.2		
10NB4				
10NB3S				
03SB3	0.1	2.5	2200	1M
03SB4				
03SB3S				
04SB3		2.0		
04SB4				
04SB3S				
06SB3		1.05		
06SB4				
06SB3S				
10SB3		0.2		
10SB4				
10SB3S				

### ELECTRICAL SCHEMATIC



### TYPE & RATED CURRENT

DELTA PART NO.		03NB3/SB3	04NB3/SB3	06NB3/SB3	10NB3/SB3	03NB4/SB4	04NB4/SB4	06NB4/SB4	10NB4/SB4
RATED CURRENT	115VAC	3A	4A	6A	10A	3A	4A	6A	10A
	250VAC	3A	4A	6A	6A	3A	4A	6A	6A
IEC CONNECTOR		▲	▲	▲	▲	▲	▲	▲	▲
FUSE		DOUBLE	DOUBLE	DOUBLE	DOUBLE	DOUBLE	DOUBLE	DOUBLE	DOUBLE
*DOUBLE POLE POWER SWITCH		▲	▲	▲	▲	▲	▲	▲	▲
ELECTRICAL SCHEMATIC		FIG.A	FIG.A	FIG.A	FIG.A	FIG.B	FIG.B	FIG.B	FIG.B

3S Single fuse  
NB4,SB4 W/O switch

## INSERTION LOSS (TYPICAL)



## MINIMUM INSERTION LOSS IN dB

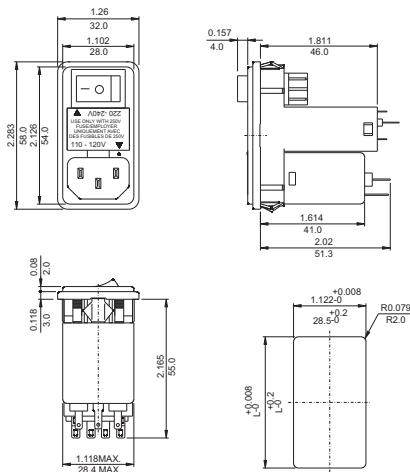
COMMON MODE (L-G) IN 50 OHM SYSTEM						
CURRENT RATING	FREQUENCY-MHz					
	.15	.50	1.0	5.0	10	30
03NB3/SB3	20	25	30	38	40	40
03NB4/SB4	20	25	30	38	40	40
03NB3S/SB3S	20	25	30	38	40	40
04NB3/SB3	20	25	25	40	40	40
04NB4/SB4	20	25	25	40	40	40
04NB3S/SB3S	20	25	25	40	40	40
06NB3/SB3	12	18	24	35	40	40
06NB4/SB4	12	18	24	35	40	40
06NB3S/SB3S	12	18	24	35	40	40
10NB3/SB3	3	8	10	20	30	45
10NB4/SB4	3	8	10	20	30	45
10NB3S/SB3S	3	8	10	20	30	45

COMMON MODE (L-L) IN 50 OHM SYSTEM						
CURRENT RATING	FREQUENCY-MHz					
	.15	.50	1.0	5.0	10	30
03NB3/SB3	4	12	18	38	40	40
03NB4/SB4	4	12	18	38	40	40
03NB3S/SB3S	4	12	18	38	40	40
04NB3/SB3	3	10	15	30	35	35
04NB4/SB4	3	10	15	30	35	35
04NB3S/SB3S	3	10	15	30	35	35
06NB3/SB3	4	10	15	35	40	40
06NB4/SB4	4	10	15	35	40	40
06NB3S/SB3S	4	10	15	35	40	40
10NB3/SB3	5	12	15	30	30	40
10NB4/SB4	5	12	15	30	30	40
10NB3S/SB3S	5	12	15	30	30	40

## MECHANICAL CONSTRUCTION



NB3



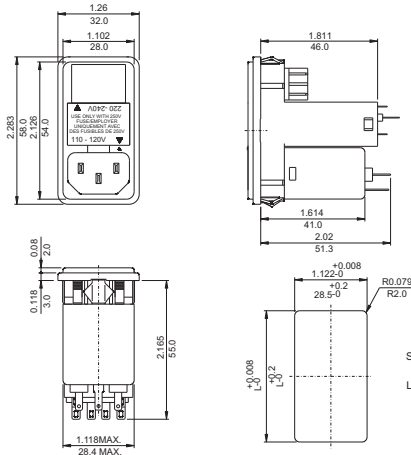
SUGGESTED MOUNTING CUTOUT (MOUNTING FROM FRONT)  
 L According to Panel Thickness  
 0.8-2.0mm L=55.9  
 2.1-3.2mm L=56.2

NB3,3S

UNIT:  $\frac{\text{INCH}}{\text{mm}}$



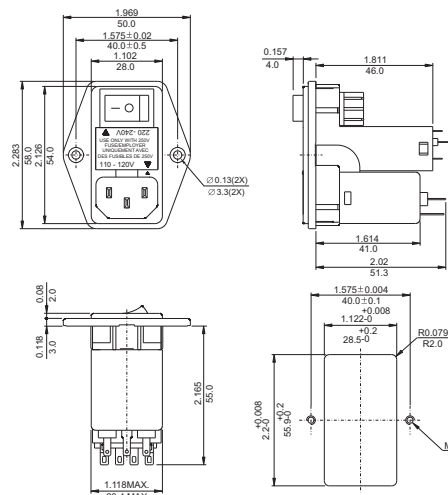
NB4



NB4



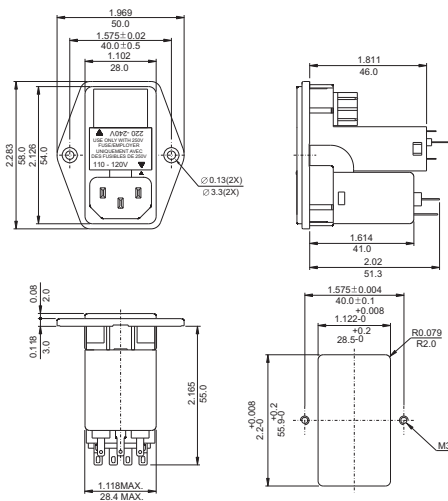
SB3,3S



SB3,3S



SB4



SB4

UNIT: INCH  
mm

POWER ENTRY MODULE FILTERS

## X-ON Electronics

Largest Supplier of Electrical and Electronic Components

*Click to view similar products for [Delta manufacturer](#):*

Other Similar products are found below :

[MKEL-DRB](#) [PFB1224UHE-T50F](#) [PL01S2412A](#) [PMB-24V50W1AA](#) [PS75-12VDC-PULL-CONT](#) [DOP-EXI014RAE](#) [DRP048V240W1BN](#)  
[DSVP10-VITON-DIAPHRAGM](#) [DTB4824LV](#) [DTB4848LV](#) [DTB4896CR](#) [DTB4896VRE](#) [DTB9696CVE](#) [DTB9696LVE](#) [DVP01PU-S](#)  
[DVP06XA-S](#) [DVP08SN11T](#) [DVP08SP11R](#) [DVDPNET-SL](#) [DVPDT01-S](#) [EFB0412HHA](#) [166-11-PIN-SQ.-BASE-SOCKET](#) [BUE-20015](#)  
[IFD8520](#) [1-NPO/603-1339](#) [20114-80](#) [20310-80](#) [20982-82](#) [900-\(1C\)-30A-12VDC](#) [166-DPDT-13A-6VDC](#) [ADP485-01](#) [AFB0412MA](#)  
[FFB1212VHE-F00](#) [1-NPO/603-1326](#) [20243-81](#) [PFB0624SHE](#) [23595-73](#) [PMC-12V150W1BA](#) [PMT-48V350W1AR](#) [CME-COP01](#) [31000-82](#)  
[310-4PDT-10A-110VAC](#) [32003-81](#) [32007-82](#) [32007-84](#) [320-4PDT-3A-110VAC](#) [320-4PDT-3A-24VAC](#) [TP05G-BT2](#) [TP-PCC](#) [31003-82](#)