

## INTRODUCTIONS

1. Power module incorporates an IEC connector, a fuse holder with optional power on/off switch and voltage selector switch, plus an EMI filter all-in-one single, easy-to-install unit.
2. Fuse holder designed for one IEC 5x20mm fuse. Safety interlock prevents fuse removal with line plug inserted (Use only with 250V fuse).
3. All part numbers are UL recognized, CSA certified and VDE approved.

## SPECIFICATIONS

1. Maximum leakage current each  
line-to-ground @ 115VAC 60Hz: 0.25mA  
@ 250VAC 50Hz: 0.45mA
2. Hipot rating (one minute)  
line-to-ground: 2250VDC  
line-to-line: 1450VDC
3. Operating frequency: 50/60Hz
4. Rated voltage: 115/250VAC

## MINIMUM INSERTION LOSS IN dB

| COMMON MODE (L-G) IN 50 OHM SYSTEM       |               |     |     |     |    |    |
|--|---------------|-----|-----|-----|----|----|
| CURRENT RATING                           | FREQUENCY-MHz |     |     |     |    |    |
|  | .15           | .50 | 1.0 | 5.0 | 10 | 30 |
| 3A                                       | 30            | 35  | 40  | 35  | 35 | 35 |
| 6A                                       | 16            | 25  | 30  | 42  | 45 | 40 |
| DIFFERENTIAL MODE (L-L) IN 50 OHM SYSTEM |               |     |     |     |    |    |
| 3A                                       | 10            | 40  | 45  | 45  | 45 | 35 |
| 6A                                       | 6             | 25  | 30  | 42  | 45 | 40 |

## TYPE & RATED CURRENT

| DELTA PART NO.       | AK1    | AK2             | AK2D            | AK3               | AK3D              | AK4               | AK5                |
|----------------------|--------|-----------------|-----------------|-------------------|-------------------|-------------------|--------------------|
| RATED CURRENT        | 115VAC | 6A              | 6A              | 6A                | 6A                | 6A                | 6A                 |
|                      | 250VAC | 6A              | 6A              | 4A                | 5A                | 4A                | 6A                 |
| IEC CONNECTOR        | △      | △               | △               | △                 | △                 | △                 | △                  |
| FUSE HOLDER          | △      | △               | △               | △                 | △                 | △                 | △                  |
| POWER SWITCH         | -      | SP <sup>1</sup> | DP <sup>2</sup> | SP <sup>1</sup>   | DP <sup>2</sup>   | -                 | -                  |
| VOLTAGE SELECTOR SW  | -      | -               | -               | REAR <sup>3</sup> | REAR <sup>3</sup> | REAR <sup>3</sup> | FRONT <sup>4</sup> |
| ELECTRICAL SCHEMATIC | FIG. A | FIG. A          | FIG. B          | FIG. A            | FIG. B            | FIG. A            | FIG. C             |

1. Single-pole UL, CSA & VDE approved  
Current rating: UL & CSA-6A both at 125VAC & 250VAC;  
VDE-6A at 250VAC.  
Electrical lifetime: 50,000 cycles.  
Maximum inrush current: 70A.
2. Double-pole UL CSA & VDE approved  
Current rating: UL & CSA-6A at 125VAC, 4A at 250VAC;  
VDE-4A at 250VAC.  
Electrical lifetime: 10,000 cycles.  
Maximum inrush current: 50A.
3. Voltage selector SW -UL, CSA & VDE approved  
Current rating: 10A at 125VAC; 5A at 250VAC.
4. Voltage selector SW -UL, CSA & VDE approved  
Current rating: UL & CSA-6A both at 125VAC & 250VAC;  
VDE-6A at 250VAC.

## ELECTRICAL SCHEMATIC

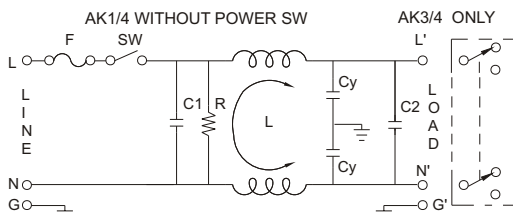


FIG. A

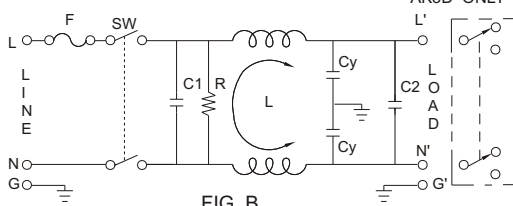


FIG. B

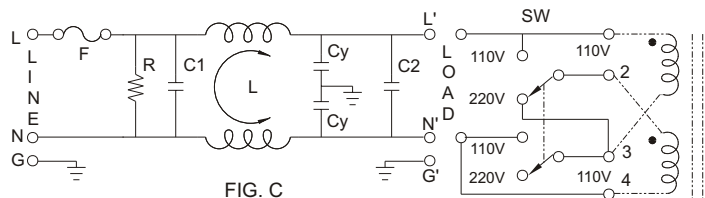
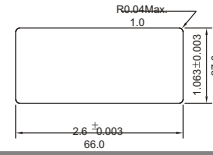


FIG. C

For transformers with two separate windings

### COMPONENT VALUE:

|            |            |
|------------|------------|
| 6A:        | 3A:        |
| R: 2.2MΩ   | R: 1MΩ     |
| C1: 0.1uF  | C1: 0.1uF  |
| C2: 0.1uF  | C2: 0.1uF  |
| Cy: 3300pF | Cy: 2200pF |
| L: 1.3mH   | L: 14mH    |

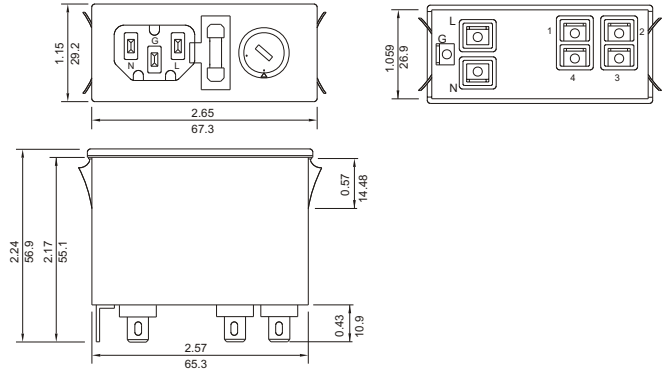


- Suggested thickness of mounting panel is from 0.04 to 0.07 inch
- Suggested mounting cutout

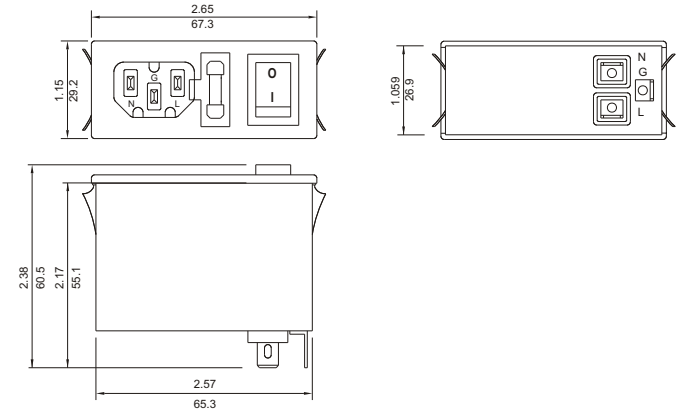
## MECHANICAL CONSTRUCTION



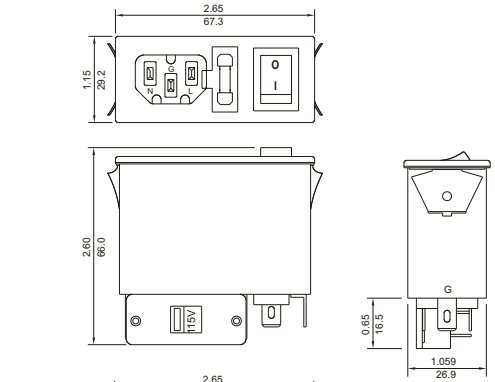
AK5



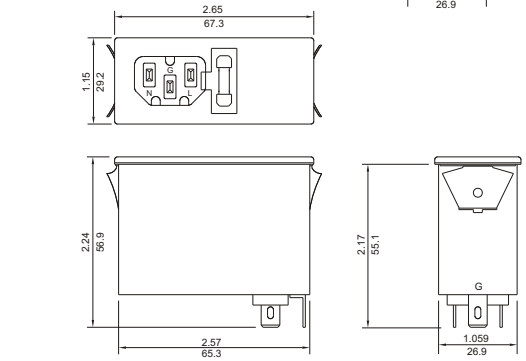
AK2,AK2D



AK3,AK3D  
AK4 (without power switch)



AK1



UNIT: INCH  
mm

## X-ON Electronics

Largest Supplier of Electrical and Electronic Components

*Click to view similar products for [AC Power Entry Modules](#) category:*

*Click to view products by [Delta](#) manufacturer:*

Other Similar products are found below :

[0098.0050](#) [6167.0002](#) [6609100-2](#) [7-6609955-2](#) [FKI2-50-6/M5](#) [FN361-6-06](#) [FN389-4-22](#) [FN9226B-6-02](#) [FN9233S1-10-06](#) [FN9233S1-8-06](#)  
[FN9233S1B-8-06](#) [FN9233S1R-1-06](#) [FN9233S1R-12-06](#) [FN9233SB-1-06](#) [FN9233SB-12-06](#) [FN9233SB-8-06](#) [FN9233SR-10-06](#) [FN9244B-15-06HI](#) [FN9244EB-3-06](#) [FN9244EB-8-06](#) [FN9244ER-15-06](#) [FN9244ER-8-06](#) [FN9244ES1-8-06](#) [FN9244ESB-8-06](#) [FN9244R-12-06](#)  
[FN9244S1-12-06](#) [FN9244S1R-3-06](#) [FN9244SB-8-06](#) [FN9244SR-6-06](#) [FN9244U-3-06](#) [FN9244U-8-06](#) [8-6609940-2](#) [PE00SSSXB](#) [Fuse-H-EUR-1](#) [Fuse-H-USA-1](#) [PM00XD000](#) [A-0701-HT-H](#) [15EJMS8](#) [1-6609941-2](#) [200JM6-2](#) [CA121003-6](#) [SK-1015\(F1-5\)](#) [161-R3015-E](#) [1-6609153-2](#) [FN323-1-05](#) [FN9233B-8-06](#) [FN9233EB-1-06](#) [FN9233ES1R-10-06](#) [FN9233R-12-06](#) [FN9233S-10-06](#)