

## INTRODUCTIONS

1. Specially designed with additional X capacitor providing most effective EMI suppression for low frequency noise (ranged 150KHz-500KHz).
2. Bleeder resistor can be added with suffix "-R" on part numbers.
3. With optional Y capacitor from 100pF to 3300pF.
4. All part numbers are UL recognized, CSA certified and VDE approved.

## COMPONENTS

PART NO.	L (mH)	Cx (uF)	Cy (pF)
03GKNG3E/03GKNW3E	3.1	0.1	2200
06GKNG3E/06GKNW3E	1.2	0.1	
10GKNG3E/10GKNW3E	0.36	0.1	

• VDE approved to 9A/250V

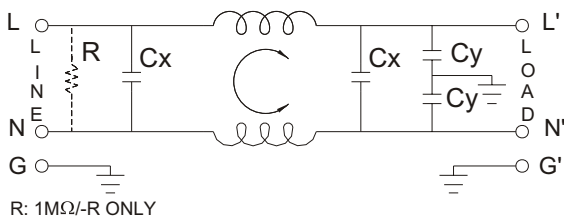
## MINIMUM INSERTION LOSS IN dB

PART NO.	COMMON MODE (L-G) IN 50 OHM SYSTEM					
	FREQUENCY-MHz					
	.15	.50	1.0	5.0	10	30
03GKNG3E/03GKNW3E	20	25	30	40	40	50
06GKNG3E/06GKNW3E	12	20	25	35	45	45
10GKNG3E/10GKNW3E	7	10	15	30	35	50

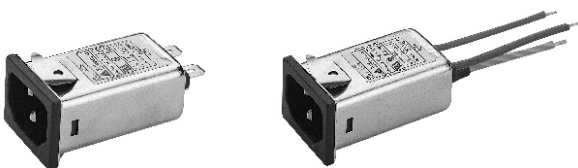
  

PART NO.	DIFFERENTIAL MODE (L-L) IN 50 OHM SYSTEM					
	03GKNG3E/03GKNW3E	5	25	50	55	53
06GKNG3E/06GKNW3E	7	20	35	50	50	40
10GKNG3E/10GKNW3E	7	9	25	50	45	35

## ELECTRICAL SCHEMATIC



## MECHANICAL CONSTRUCTION



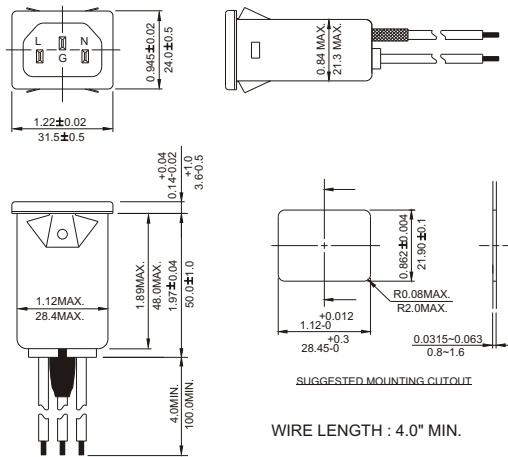
G3E

W3E

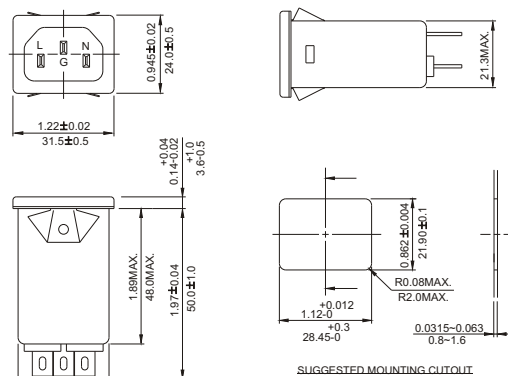
## SPECIFICATIONS

1. Maximum leakage current each line-to-ground @ 115VAC 60Hz: 0.2mA @ 250VAC 50Hz: 0.4mA
2. Hipot rating (one minute) line-to-ground: 2250VDC line-to-line: 1450VDC
3. Operating frequency: 50/60Hz
4. Rated voltage: 115/250VAC

Suggested thickness of mounting panel is from 0.0315 (0.8) to 0.063 (1.6) inch(mm) of mounting cutout



W3E



G3E

## X-ON Electronics

Largest Supplier of Electrical and Electronic Components

*Click to view similar products for [Delta manufacturer](#):*

Other Similar products are found below :

[MKEL-DRB](#) [PFB1224UHE-T50F](#) [PL01S2412A](#) [PMB-24V50W1AA](#) [PS75-12VDC-PULL-CONT](#) [DOP-EXI014RAE](#) [DRP048V240W1BN](#)  
[DSVP10-VITON-DIAPHRAGM](#) [DTB4824LV](#) [DTB4848LV](#) [DTB4896CR](#) [DTB4896VRE](#) [DTB9696CVE](#) [DTB9696LVE](#) [DVP01PU-S](#)  
[DVP06XA-S](#) [DVP08SN11T](#) [DVP08SP11R](#) [DVDPNET-SL](#) [DVPDT01-S](#) [EFB0412HHA](#) [166-11-PIN-SQ.-BASE-SOCKET](#) [BUE-20015](#)  
[IFD8520](#) [1-NPO/603-1339](#) [20114-80](#) [20310-80](#) [20982-82](#) [900-\(1C\)-30A-12VDC](#) [166-DPDT-13A-6VDC](#) [ADP485-01](#) [AFB0412MA](#)  
[FFB1212VHE-F00](#) [1-NPO/603-1326](#) [20243-81](#) [PFB0624SHE](#) [23595-73](#) [PMC-12V150W1BA](#) [PMT-48V350W1AR](#) [CME-COP01](#) [31000-82](#)  
[310-4PDT-10A-110VAC](#) [32003-81](#) [32007-82](#) [32007-84](#) [320-4PDT-3A-110VAC](#) [320-4PDT-3A-24VAC](#) [TP05G-BT2](#) [TP-PCC](#) [31003-82](#)