

## INTRODUCTIONS

1. Specially designed with ground choke providing most effective EMI suppression for high frequency noise (ranged 5MHz-25MHz).
2. Bleeder resistor can be added with suffix "-R" on part numbers.
3. With optional Y capacitor 100pF to 330pF.
4. All part numbers are UL recognized, CSA certified and VDE approved.

## COMPONENTS

| PART NO.              | L (mH) | Cx (uF) | Cy (pF) | Lg (uH) |
|-----------------------|--------|---------|---------|---------|
| 03KEEG3EA/03KEEW3EA   | 3.1    | 0.1     | 2200    | 100     |
| *08KEEG3EA/08KEEW3EA  | 0.8    |         |         |         |
| **10KEEG3EA/10KEEW3EA | 0.4    |         |         |         |
| 03KEEG3SA/03KEEW3SA   | 3.1    | 0.1     | 2200    | 100     |
| 06KEEG3SA/06KEEW3SA   | 0.8    |         |         |         |
| 10KEEG3SA/10KEEW3SA   | 0.4    |         |         |         |

\*VDE approved to 6A 250V.

\*\*UL, CSA & VDE approved to 9A 115/250VAC.

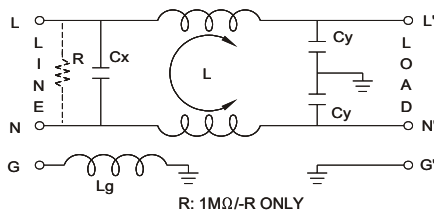
## MINIMUM INSERTION LOSS IN dB

| PART NO.            | COMMON MODE (L-G) IN 50 OHM SYSTEM |     |     |     |    |    |
|---------------------|------------------------------------|-----|-----|-----|----|----|
|                     | FREQUENCY-MHZ                      |     |     |     |    |    |
|                     | .15                                | .50 | 1.0 | 5.0 | 10 | 30 |
| 03KEEG3EA/03KEEW3EA | 15                                 | 20  | 25  | 40  | 40 | 45 |
| 08KEEG3EA/08KEEW3EA | 10                                 | 15  | 20  | 35  | 40 | 50 |
| 10KEEG3EA/10KEEW3EA | 7                                  | 12  | 18  | 30  | 30 | 50 |
| 03KEEG3SA/03KEEW3SA | 15                                 | 20  | 25  | 40  | 40 | 40 |
| 06KEEG3SA/06KEEW3SA | 7                                  | 15  | 20  | 35  | 40 | 40 |
| 10KEEG3SA/10KEEW3SA | 4                                  | 12  | 18  | 30  | 30 | 45 |

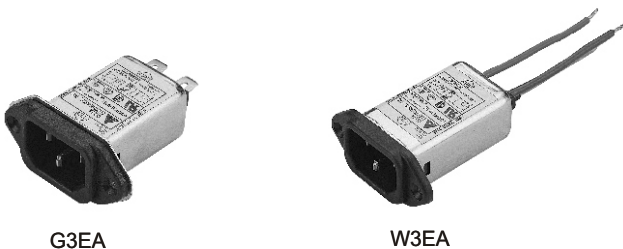
  

| PART NO.            | DIFFERENTIAL MODE (L-L) IN 50 OHM SYSTEM |     |     |     |    |    |
|---------------------|--|-----|-----|-----|----|----|
|                     | FREQUENCY-MHZ                            |     |     |     |    |    |
|                     | .15                                      | .50 | 1.0 | 5.0 | 10 | 30 |
| 03KEEG3EA/03KEEW3EA | 5  | 12  | 15  | 40  | 50 | 45 |
| 08KEEG3EA/08KEEW3EA | 5  | 10  | 15  | 45  | 40 | 50 |
| 10KEEG3EA/10KEEW3EA | 4  | 12  | 18  | 30  | 30 | 50 |
| 03KEEG3SA/03KEEW3SA | 10                                       | 20  | 35  | 40  | 45 | 40 |
| 06KEEG3SA/06KEEW3SA | 10                                       | 25  | 40  | 35  | 40 | 40 |
| 10KEEG3SA/10KEEW3SA | 10                                       | 25  | 35  | 30  | 30 | 45 |

## ELECTRICAL SCHEMATIC



## MECHANICAL CONSTRUCTION

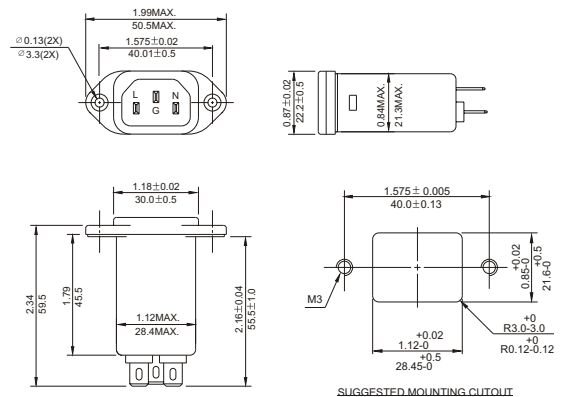
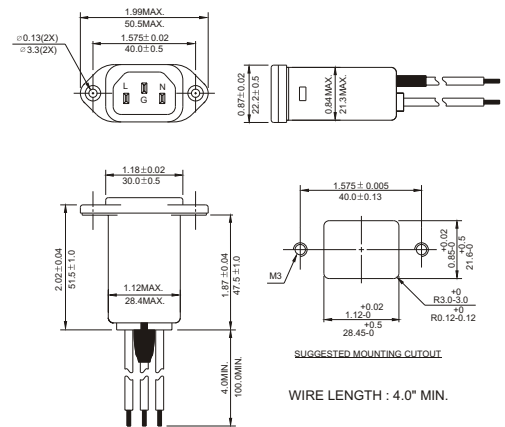
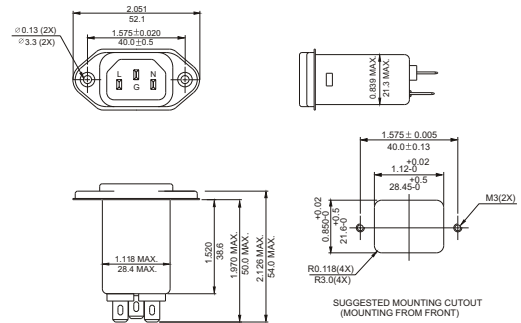


G3EA

W3EA

## SPECIFICATIONS

1. Maximum leakage current each line-to-ground @ 115VAC 60Hz: 0.20mA  
@ 250VAC 50Hz: 0.40mA
2. Hipot rating (one minute) line-to-ground: 2250VDC  
line-to-line: 1450VDC
3. Operating frequency: 50/60Hz
4. Rated voltage: 115/250VAC



## X-ON Electronics

Largest Supplier of Electrical and Electronic Components

*Click to view similar products for [Delta manufacturer](#):*

Other Similar products are found below :

[MKEL-DRB](#) [PFB1224UHE-T50F](#) [PL01S2412A](#) [PMB-24V50W1AA](#) [PS75-12VDC-PULL-CONT](#) [DOP-EXI014RAE](#) [DRP048V240W1BN](#)  
[DSVP10-VITON-DIAPHRAGM](#) [DTB4824LV](#) [DTB4848LV](#) [DTB4896CR](#) [DTB4896VRE](#) [DTB9696CVE](#) [DTB9696LVE](#) [DVP01PU-S](#)  
[DVP06XA-S](#) [DVP08SN11T](#) [DVP08SP11R](#) [DVDPNET-SL](#) [DVPDT01-S](#) [EFB0412HHA](#) [166-11-PIN-SQ.-BASE-SOCKET](#) [BUE-20015](#)  
[IFD8520](#) [1-NPO/603-1339](#) [20114-80](#) [20310-80](#) [20982-82](#) [900-\(1C\)-30A-12VDC](#) [166-DPDT-13A-6VDC](#) [ADP485-01](#) [AFB0412MA](#)  
[FFB1212VHE-F00](#) [1-NPO/603-1326](#) [20243-81](#) [PFB0624SHE](#) [23595-73](#) [PMC-12V150W1BA](#) [PMT-48V350W1AR](#) [CME-COP01](#) [31000-82](#)  
[310-4PDT-10A-110VAC](#) [32003-81](#) [32007-82](#) [32007-84](#) [320-4PDT-3A-110VAC](#) [320-4PDT-3A-24VAC](#) [TP05G-BT2](#) [TP-PCC](#) [31003-82](#)