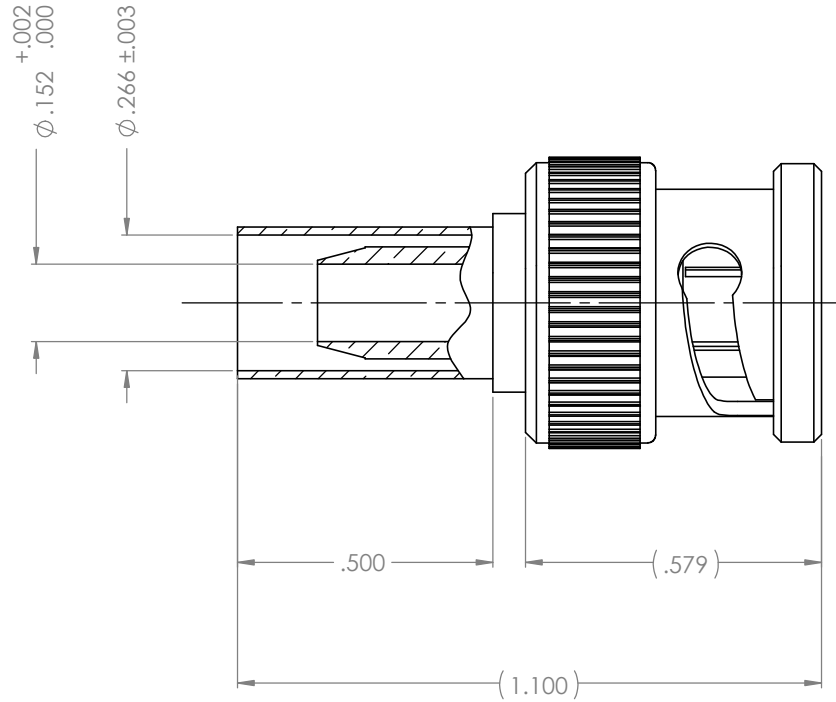
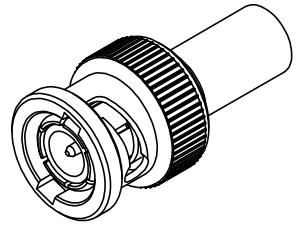


CABLE CUTTING DIMENSIONS
CAI-549



1003021A00E-000



NOTES:

- ASSEMBLED CONNECTOR INTERFACE IS DESIGNED IN ACCORDANCE WITH MIL-STD-348.

BAYONET SLEEVE	BRASS PER ASTM B16, C36000 ALLOY, TEMPER H02	SILVER PLATE PER ASTM B700
SPRING WASHER	BERYLLIUM COPPER PER ASTM B196, C17300, TEMPER TD04	NICKEL PLATE PER SAE-AMS-QQ-N-290
WASHER	BRASS PER ASTM B16, C36000 ALLOY, TEMPER H02	SILVER PLATE PER ASTM B700
GASKET	SILICONE RUBBER PER A-A-59588	N/A
CRIMP SLEEVE	D.H.P. COPPER CDA ALLOY 122	SILVER PLATE PER ASTM B700
CONTACT FINGER	BRASS PER ASTM B16, C36000 ALLOY, TEMPER H02	SILVER PLATE PER ASTM B700
BODY	BRASS PER ASTM B16, C36000 ALLOY, TEMPER H02	SILVER PLATE PER ASTM B700
INSULATOR	TEFLON PER ASTM D1710, TYPE 1, GRADE 1, CLASS A.	N/A
CONTACT	BRASS PER ASTM B16, C36000 ALLOY, TEMPER H02	GOLD PLATE PER ASTM B488, TYPE 2, CLASS 1.27
DESCRIPTION	MATERIAL	FINISH

Table 1

PROPRIETARY AND CONFIDENTIAL
THE INFORMATION CONTAINED IN THIS DRAWING IS THE SOLE PROPERTY OF DELTA ELECTRONICS MFG CORP. ANY REPRODUCTION IN PART OR AS A WHOLE WITHOUT THE WRITTEN PERMISSION OF DELTA ELECTRONICS MFG CORP. IS PROHIBITED.
FILE NAME: 1003021A00E-0001

UNLESS OTHERWISE SPECIFIED:		NAME	DATE
DIMENSIONS ARE IN INCHES		DRAWN	SRC 6/12/2017
TOLERANCES:		CHECKED	BJM 6/12/2017
FRACTIONAL ± 1/64		ENG APPR.	BJM 6/12/2017
ANGULAR: MACH ± 1° BEND ± 1°		COMMENTS:	
TWO PLACE DECIMAL ± .01			
THREE PLACE DECIMAL ± .005			
SURFACE FINISH = 63			
MAX. CORNER BREAKS = .004			
THIRD ANGLE PROJECTION			
MATERIAL	SEE TABLE		
FINISH	SEE TABLE		
SCALE:	4:1		

M39012/16-0015

DELTA ELECTRONICS MFG CORP.
BEVERLY, MA 01915
www.deltar.com / Ph: 978-927-1060 / Fax: 978-922-6430

TITLE: BNC CRIMP PLUG FOR RG-59B, 62A, 71B, 140B & 210/U CABLES

SIZE	DWG. NO.	REV
B	1003021A00E-000	-

CODE ID - 00795 WEIGHT: 10.60 g SHEET 1 OF 1

X-ON Electronics

Largest Supplier of Electrical and Electronic Components

Click to view similar products for [RF Connectors](#) / [Coaxial Connectors](#) category:

Click to view products by [Delta](#) manufacturer:

Other Similar products are found below :

[8915-1511-000](#) [89674-0827](#) [6001-7071-019](#) [6002-7051-003](#) [6059674-1](#) [619550-1](#) [630059-000](#) [M39030/3-01N](#) [6769](#) [CX050L2AQ](#) [7002-1541-010](#) [7002-1542-011](#) [7002-1572-002](#) [7003-1542-011](#) [7004-1512-000](#) [7009-1511-004](#) [7010-1511-000](#) [7029-1511-060](#) [7101-1541-010](#) [7101-1571-002](#) [7145-1521-002](#) [7203-1571-003](#) [7209-1511-011](#) [7210-1511-015](#) [7210-1511-019](#) [73137-5015](#) [73216-2241](#) [73404-2300](#) [7405-1521-005](#) [7405-1521-802](#) [8527](#) [8547](#) [FS11V](#) [9049-9513-000](#) [9074-9513-000](#) [9101-9573-002](#) [910A205F](#) [9130-9573-002](#) [PL11SC-026](#) [PL375-33](#) [PL40-5](#) [PL74C-221](#) [PL75MC-217](#) [PL803-7](#) [980-8666-005](#) [1200690078](#) [1-201144-1](#) [R107003010W](#) [R110A172100](#) [R112186000](#)