

## INTRODUCTIONS

1. Specially designed with ground choke providing most effective EMI suppression for high frequency noise (ranged 5MHz-25MHz).
2. Bleeder resistor can be added with suffix "-R" on part numbers.
3. With optional Y capacitor 100pF to 330pF.
4. All part numbers are UL recognized, CSA certified and VDE approved.

## COMPONENTS

| PART NO.              | L (mH) | Cx (uF) | Cy (pF) | Lg (uH) |
|-----------------------|--------|---------|---------|---------|
| 03KEEG3EA/03KEEW3EA   | 3.1    | 0.1     | 2200    | 100     |
| *08KEEG3EA/08KEEW3EA  | 0.8    |         |         |         |
| **10KEEG3EA/10KEEW3EA | 0.4    |         |         |         |
| 03KEEG3SA/03KEEW3SA   | 3.1    | 0.1     | 2200    | 100     |
| 06KEEG3SA/06KEEW3SA   | 0.8    |         |         |         |
| 10KEEG3SA/10KEEW3SA   | 0.4    |         |         |         |

\*VDE approved to 6A 250V.  
 \*\*UL, CSA & VDE approved to 9A 115/250VAC.

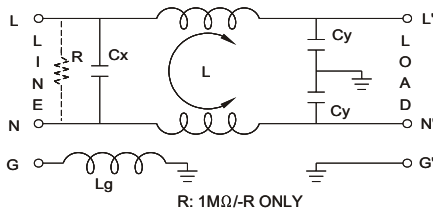
## MINIMUM INSERTION LOSS IN dB

| PART NO.            | COMMON MODE (L-G) IN 50 OHM SYSTEM |     |     |     |    |    |
|---------------------|------------------------------------|-----|-----|-----|----|----|
|                     | FREQUENCY-MHZ                      |     |     |     |    |    |
|                     | .15                                | .50 | 1.0 | 5.0 | 10 | 30 |
| 03KEEG3EA/03KEEW3EA | 15                                 | 20  | 25  | 40  | 40 | 45 |
| 08KEEG3EA/08KEEW3EA | 10                                 | 15  | 20  | 35  | 40 | 50 |
| 10KEEG3EA/10KEEW3EA | 7                                  | 12  | 18  | 30  | 30 | 50 |
| 03KEEG3SA/03KEEW3SA | 15                                 | 20  | 25  | 40  | 40 | 40 |
| 06KEEG3SA/06KEEW3SA | 7                                  | 15  | 20  | 35  | 40 | 40 |
| 10KEEG3SA/10KEEW3SA | 4                                  | 12  | 18  | 30  | 30 | 45 |

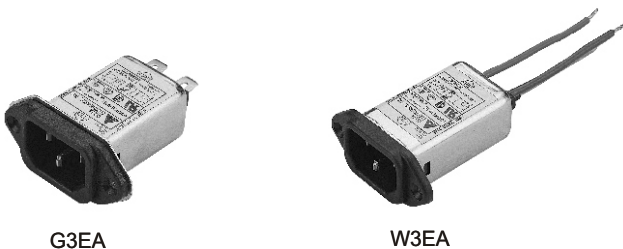
  

| PART NO.            | DIFFERENTIAL MODE (L-L) IN 50 OHM SYSTEM |     |     |     |    |    |
|---------------------|--|-----|-----|-----|----|----|
|                     | FREQUENCY-MHZ                            |     |     |     |    |    |
|                     | .15                                      | .50 | 1.0 | 5.0 | 10 | 30 |
| 03KEEG3EA/03KEEW3EA | 5  | 12  | 15  | 40  | 50 | 45 |
| 08KEEG3EA/08KEEW3EA | 5  | 10  | 15  | 45  | 40 | 50 |
| 10KEEG3EA/10KEEW3EA | 4  | 12  | 18  | 30  | 30 | 50 |
| 03KEEG3SA/03KEEW3SA | 10                                       | 20  | 35  | 40  | 45 | 40 |
| 06KEEG3SA/06KEEW3SA | 10                                       | 25  | 40  | 35  | 40 | 40 |
| 10KEEG3SA/10KEEW3SA | 10                                       | 25  | 35  | 30  | 30 | 45 |

## ELECTRICAL SCHEMATIC



## MECHANICAL CONSTRUCTION

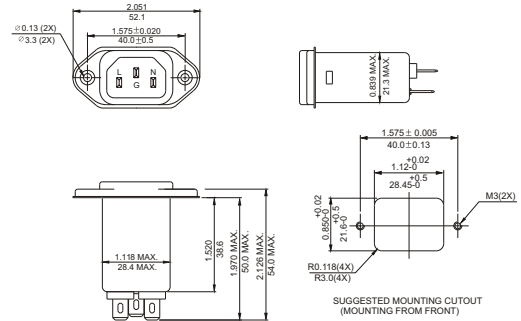


G3EA

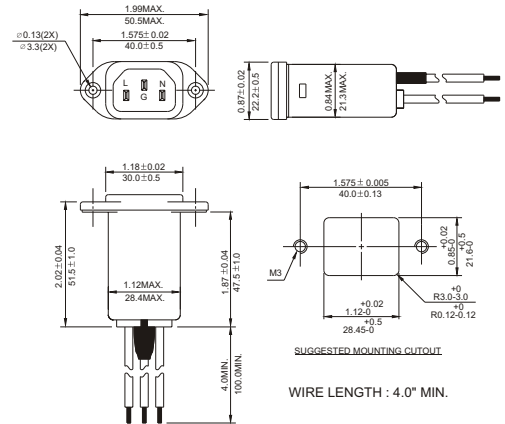
W3EA

## SPECIFICATIONS

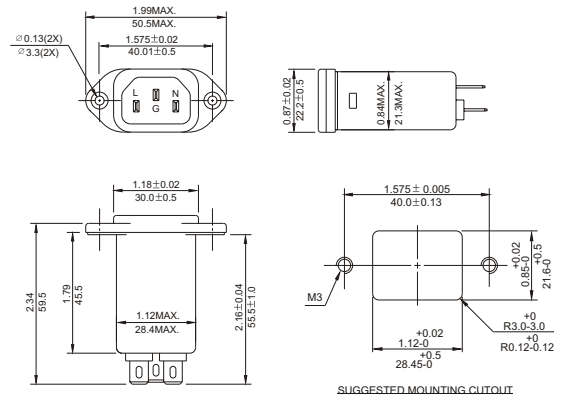
1. Maximum leakage current each line-to-ground @ 115VAC 60Hz: 0.20mA  
 @ 250VAC 50Hz: 0.40mA
2. Hipot rating (one minute) line-to-ground: 2250VDC  
 line-to-line: 1450VDC
3. Operating frequency: 50/60Hz
4. Rated voltage: 115/250VAC



G3SA



W3EA



G3EA

UNIT: INCH/mm

## X-ON Electronics

Largest Supplier of Electrical and Electronic Components

*Click to view similar products for [AC Power Entry Modules](#) category:*

*Click to view products by [Delta](#) manufacturer:*

Other Similar products are found below :

[0098.0050](#) [6-1609987-9](#) [6167.0002](#) [7-6609955-2](#) [FN389-4-22](#) [FN9226B-6-02](#) [FN9233ER-12-06](#) [FN9233S1-10-06](#) [FN9233S1-8-06](#)  
[FN9233S1B-8-06](#) [FN9233S1R-1-06](#) [FN9233S1R-12-06](#) [FN9233SB-1-06](#) [FN9233SB-12-06](#) [FN9233SB-8-06](#) [FN9233SR-10-06](#) [FN9233SR-3-06](#) [FN9244B-15-06HI](#) [FN9244EB-3-06](#) [FN9244EB-8-06](#) [FN9244ER-15-06](#) [FN9244ER-8-06](#) [FN9244ES1-8-06](#) [FN9244ESB-8-06](#)  
[FN9244EU-6-06](#) [FN9244R-12-06](#) [FN9244R-3-07](#) [FN9244S1-10-06](#) [FN9244S1-12-06](#) [FN9244S1-3-06](#) [FN9244S1B-6-06](#) [FN9244S1R-3-06](#)  
[FN9244S-6-06](#) [FN9244SB-10-06](#) [FN9244SB-6-06](#) [FN9244SB-8-06](#) [FN9244SR-6-06](#) [FN9244U-3-06](#) [FN9244U-8-06](#) [FN9260A-6-06](#)  
[PE00SSSX](#) [Fuse-H-EUR-1](#) [Fuse-H-USA-1](#) [PM00XD000](#) [PS0SSDBX0](#) [A-0701-HT-H](#) [RAPC3FG](#) [15EJMS8](#) [CA121003-6](#) [2121](#)