



KEN SERIES

HIGH PERFORMANCE IEC INLET SNAP-IN FILTERS



INTRODUCTIONS

1. Applications for UL 544 & UL 2601 health care equipment.
2. Specially designed with ground choke providing most effective EMI suppression for high frequency noise (ranged 5MHz-25MHz).
3. Bleeder resistor can be added with suffix "-R" on part numbers.
4. With optional 0.1uF X capacitor instead of 0.047.
5. With optional solder lug connection instead of fast on terminal.

COMPONENTS

| PART NO. | L (mH) | Cx (uF) | Lg (uH) |
|--------------------------|--------|---------|---------|
| 03KENG3DAM/03KENW3DAM | 3.1 | 0.047 | 100 |
| 03KENG3EAM/03KENW3EAM | 3.1 | 0.1 | |
| * 08KENG3DAM/08KENW3DAM | 0.8 | 0.047 | |
| * 08KENG3EDAM/08KENW3EAM | 0.8 | 0.1 | |
| **10KENG3DAM/10KENW3DAM | 0.4 | 0.047 | |
| **10KENG3EAM/10KENW3EAM | 0.4 | 0.1 | |

** UL, CSA & VDE approved to 9A 115/250VAC
 * VDE approved to 6A 250V

MINIMUM INSERTION LOSS IN dB

| COMMON MODE (L-G) IN 50 OHM SYSTEM | | | | | | |
|--|---------------|-----|-----|-----|----|----|
| CURRENT RATING | FREQUENCY-MHz | | | | | |
| | .15 | .50 | 1.0 | 5.0 | 10 | 30 |
| 3A | 20 | 30 | 30 | 30 | 25 | 10 |
| 8A | 10 | 12 | 15 | 15 | 15 | 10 |
| 10A | 5 | 10 | 12 | 12 | 12 | 10 |
| DIFFERENTIAL MODE (L-L) IN 50 OHM SYSTEM | | | | | | |
| 3A | 0 | 10 | 12 | 25 | 25 | 20 |
| 8A | 0 | 10 | 12 | 25 | 25 | 20 |
| 10A | 0 | 10 | 12 | 25 | 25 | 20 |

MECHANICAL CONSTRUCTION



G3DAM

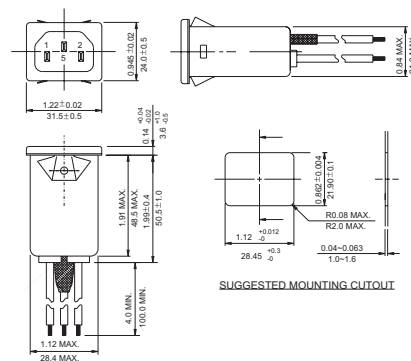
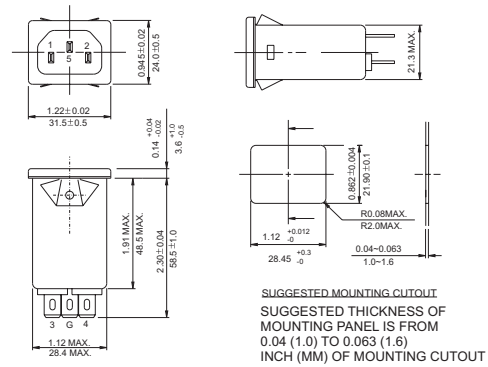
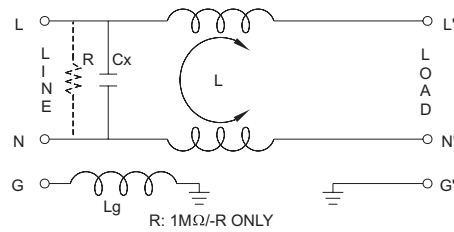


W3DAM

SPECIFICATIONS

1. Maximum leakage current each line-to-ground @ 115VAC 60Hz: 2uA @ 250VAC 50Hz: 5uA
2. Hipot rating (one minute) line-to-ground: 2250VDC line-to-line: 1450VDC
3. Operating frequency: 50/60Hz
4. Rated voltage: 115/250VAC

ELECTRICAL SCHEMATIC



ALL WIRE LEADS 4.0" LONG MIN. UNIT: INCH/mm

X-ON Electronics

Largest Supplier of Electrical and Electronic Components

Click to view similar products for [AC Power Entry Modules](#) category:

Click to view products by [Delta](#) manufacturer:

Other Similar products are found below :

[0098.0050](#) [6167.0002](#) [6609100-2](#) [7-6609955-2](#) [FKI2-50-6/M5](#) [FN361-6-06](#) [FN389-4-22](#) [FN9226B-6-02](#) [FN9233S1-10-06](#) [FN9233S1-8-06](#)
[FN9233S1B-8-06](#) [FN9233S1R-1-06](#) [FN9233S1R-12-06](#) [FN9233SB-1-06](#) [FN9233SB-12-06](#) [FN9233SB-8-06](#) [FN9233SR-10-06](#) [FN9244B-15-06HI](#) [FN9244EB-3-06](#) [FN9244EB-8-06](#) [FN9244ER-15-06](#) [FN9244ER-8-06](#) [FN9244ES1-8-06](#) [FN9244ESB-8-06](#) [FN9244R-12-06](#)
[FN9244S1-12-06](#) [FN9244S1R-3-06](#) [FN9244SB-8-06](#) [FN9244SR-6-06](#) [FN9244U-3-06](#) [FN9244U-8-06](#) [8-6609940-2](#) [PE00SSSXB](#) [Fuse-H-EUR-1](#) [Fuse-H-USA-1](#) [PM00XD000](#) [A-0701-HT-H](#) [15EJMS8](#) [1-6609941-2](#) [200JM6-2](#) [CA121003-6](#) [SK-1015\(F1-5\)](#) [161-R3015-E](#) [1-6609153-2](#) [FN323-1-05](#) [FN9233B-8-06](#) [FN9233EB-1-06](#) [FN9233ES1R-10-06](#) [FN9233R-12-06](#) [FN9233S-10-06](#)