



NB SB SERIES

POWER ENTRY MODULE FILTERS



INTRODUCTIONS

1. Applications for UL 544 & UL 2601 health care equipment.
2. Power module incorporates an IEC connector, single or double-fuse (IEC 5x20mm) holder, and double-pole power switch, plus an EMI filter all-in-one easy-to-install unit.

COMPONENTS

PART NO.	C1 (uF)	L (mH)	R (Ohm)
03NB3M	0.1	2.5	1.0
03NB4M			
04NB3M		2.0	
04NB4M			
06NB3M		1.05	
06NB4M			
10NB3M		0.2	
10NB4M			
03SB3M		2.5	
03SB4M			
04SB3M	2.0		
04SB4M			
06SB3M	1.05		
06SB4M			
• 10SB3M	0.2		
• 10SB4M			

- VDE approved 6A to 250VAC

TYPE & RATED CURRENT

DELTA PART NO.		03NB3M/SB3M	04NB3M/SB3M	06NB3M/SB3M	10NB3M/SB3M	03NB4M/SB4M	04NB4M/SB4M	06NB4M/SB4M	10NB4M/SB4M
RATED CURRENT	115VAC	3A	4A	6A	10A	3A	4A	6A	10A
	250VAC	3A	4A	6A	6A	3A	4A	6A	6A
IEC CONNECTOR		▲	▲	▲	▲	▲	▲	▲	▲
FUSE		DOUBLE	DOUBLE	DOUBLE	DOUBLE	DOUBLE	DOUBLE	DOUBLE	DOUBLE
*DOUBLE-POLE POWER SWITCH		▲	▲	▲	▲	-	-	-	-
ELECTRICAL SCHEMATIC		FIG. A	FIG. A	FIG. A	FIG. A	FIG. B	FIG. B	FIG. B	FIG. B

3S,4S Fuse single

NB4,SB4 W/O Switch

* UL,CSA,VDE approved current rating: UL/CSA-10A

Electrical lifetime: 10,000 cycles.

Maximum inrush current: 51A

MINIMUM INSERTION LOSS IN dB

COMMON MODE (L-G) IN 50 OHM SYSTEM		FREQUENCY-MHz					
CURRENT RATING		.15	.50	1.0	5.0	10	30
03NB3M/SB3M	20	25	25	25	20	10	
03NB4M/SB4M	20	25	25	25	20	10	
04NB3M/SB3M	20	22	25	25	20	10	
04NB4M/SB4M	20	22	25	25	20	10	
06NB3M/SB3M	12	15	15	20	20	12	
06NB4M/SB4M	12	15	15	20	20	12	
10NB3M/SB3M	5	10	10	10	10	7	
10NB4M/SB4M	5	10	10	10	10	7	

COMMON MODE (L-L) IN 50 OHM SYSTEM		FREQUENCY-MHz					
CURRENT RATING		.15	.50	1.0	5.0	10	30
03NB3M/SB3M	4	12	15	25	25	20	
03NB4M/SB4M	4	12	15	25	25	20	
04NB3M/SB3M	5	10	18	25	25	20	
04NB4M/SB4M	5	10	18	25	25	20	
06NB3M/SB3M	3	10	15	20	25	20	
06NB4M/SB4M	3	10	15	20	25	20	
10NB3M/SB3M	4	10	15	22	22	20	
10NB4M/SB4M	4	10	15	22	22	20	

SPECIFICATIONS

1. Maximum leakage current each line-to-ground @ 115VAC 60Hz: 2uA @ 250VAC 50Hz: 5uA
2. Hipot rating (one minute) line-to-ground: 2250VDC line-to-line: 1450VDC
3. Operating frequency: 50/60Hz
4. Rated voltage: 115/250VAC

ELECTRICAL SCHEMATIC

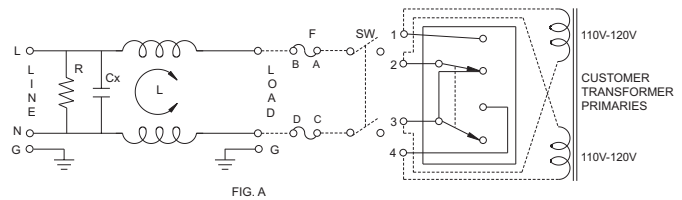


FIG. A
NB3,SB3

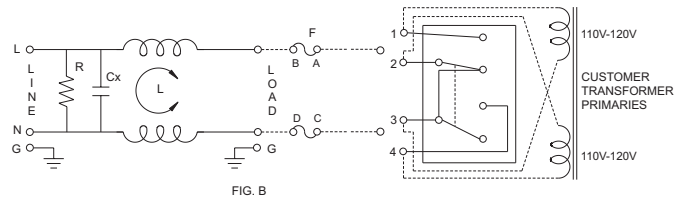
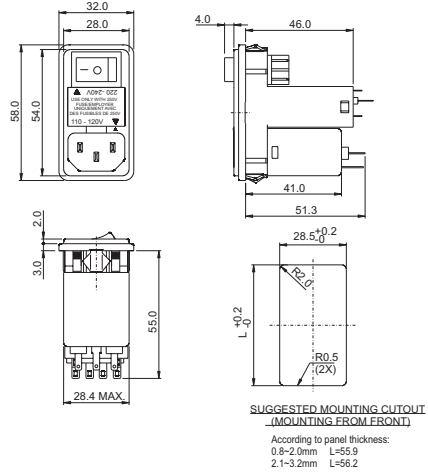


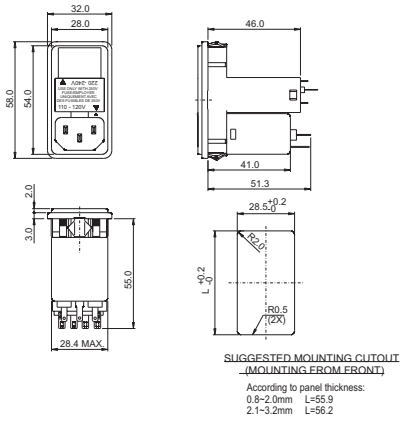
FIG. B
NB4,SB4

MECHANICAL CONSTRUCTION

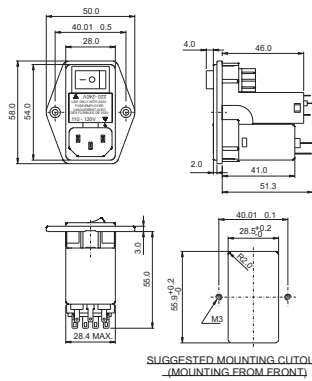
NB3



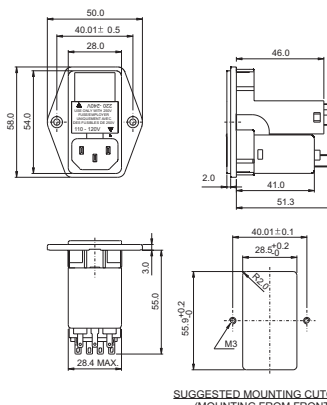
NB4



SB3, 3S



SB4



UNIT: INCH
mm

X-ON Electronics

Largest Supplier of Electrical and Electronic Components

Click to view similar products for [AC Power Entry Modules](#) category:

Click to view products by [Delta](#) manufacturer:

Other Similar products are found below :

[0098.0050](#) [6167.0002](#) [6609100-2](#) [7-6609955-2](#) [FKI2-50-6/M5](#) [FN361-6-06](#) [FN389-4-22](#) [FN9226B-6-02](#) [FN9233S1-10-06](#) [FN9233S1-8-06](#)
[FN9233S1B-8-06](#) [FN9233S1R-1-06](#) [FN9233S1R-12-06](#) [FN9233SB-1-06](#) [FN9233SB-12-06](#) [FN9233SB-8-06](#) [FN9233SR-10-06](#) [FN9244B-15-06HI](#) [FN9244EB-3-06](#) [FN9244EB-8-06](#) [FN9244ER-15-06](#) [FN9244ER-8-06](#) [FN9244ES1-8-06](#) [FN9244ESB-8-06](#) [FN9244R-12-06](#)
[FN9244S1-12-06](#) [FN9244S1R-3-06](#) [FN9244SB-8-06](#) [FN9244SR-6-06](#) [FN9244U-3-06](#) [FN9244U-8-06](#) [8-6609940-2](#) [PE00SSSXB](#) [Fuse-H-EUR-1](#) [Fuse-H-USA-1](#) [PM00XD000](#) [A-0701-HT-H](#) [15EJMS8](#) [1-6609941-2](#) [200JM6-2](#) [CA121003-6](#) [SK-1015\(F1-5\)](#) [161-R3015-E](#) [1-6609153-2](#) [FN323-1-05](#) [FN9233B-8-06](#) [FN9233EB-1-06](#) [FN9233ES1R-10-06](#) [FN9233R-12-06](#) [FN9233S-10-06](#)