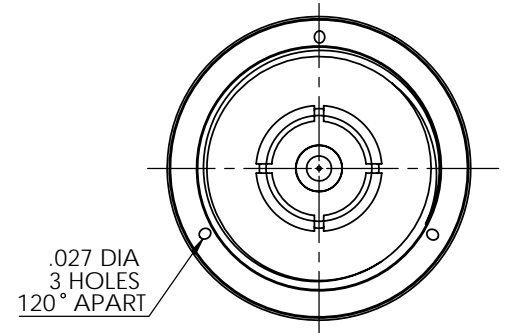
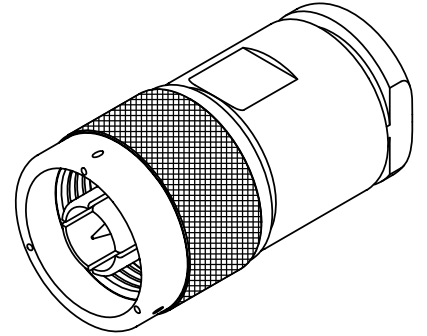
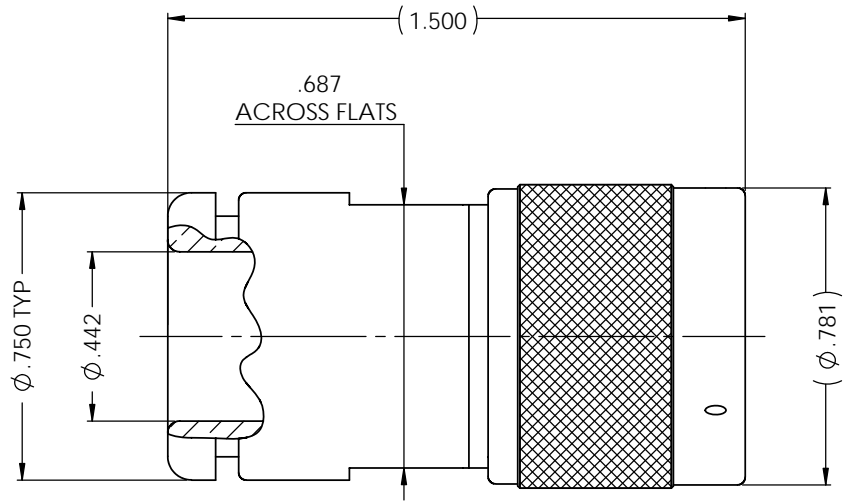
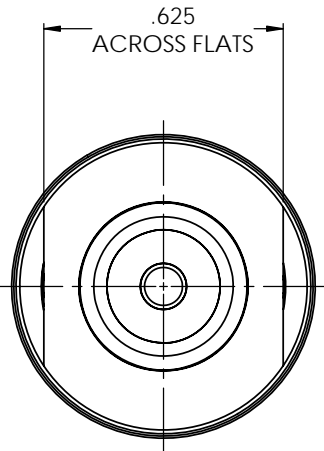


1101004A00E-001



NOTES:

1. ASSEMBLED CONNECTOR INTERFACE IS DESIGNED IN ACCORDANCE WITH MIL-STD-348.

DESCRIPTION	MATERIAL	FINISH
CONTACT	BRASS PER ASTM B16, C36000 ALLOY, TEMPER H02	GOLD PLATE PER ASTM B488
LOCKING RING	PHOSPHOR BRONZE PER ASTM B139, C54400, TEMPER HD	N/A
WASHER	BRASS PER ASTM B16, C36000 ALLOY, TEMPER H02	SILVER PLATE PER ASTM B700
CLAMP	BRASS PER ASTM B16, C36000 ALLOY, TEMPER H02	SILVER PLATE PER ASTM B700
WASHER	BRASS PER ASTM B16, C36000 ALLOY, TEMPER H02	SILVER PLATE PER ASTM B700
INSULATOR	TEFLON PER ASTM D1710, TYPE 1, GRADE 1, CLASS A.	N/A
GASKET	SILICONE RUBBER PER A-A-59588	N/A
COUPLING NUT	BRASS PER ASTM B16, C36000 ALLOY, TEMPER H02	SILVER PLATE PER ASTM B700
CONTACT FINGER	BRASS PER ASTM B16, C36000 ALLOY, TEMPER H02	SILVER PLATE PER ASTM B700
BODY	BRASS PER ASTM B16, C36000 ALLOY, TEMPER H02	SILVER PLATE PER ASTM B700
CLAMP NUT	BRASS PER ASTM B16, C36000 ALLOY, TEMPER H02	SILVER PLATE PER ASTM B700
DESCRIPTION	MATERIAL	FINISH

Table 1

REVISIONS				
REV.	DESCRIPTION	DATE	ENG APPROVED	MFG APPROVED
A	REDRAWN	4/20/2015	BJM	MCD

UNLESS OTHERWISE SPECIFIED:		NAME	DATE	DELTA ELECTRONICS MFG CORP.	
DIMENSIONS ARE IN INCHES		DRAWN	SRC	BEVERLY, MA 01915	
TOLERANCES-		CHECKED	BJM	www.deltar.com / Ph: 978-927-1060 / Fax: 978-922-6430	
FRACTIONAL ± 1/64		ENG APPR.	BJM	TITLE:	
ANGULAR: MACH ± 1° BEND ± 1°				N CAPTIVE CONTACT PLUG FOR RG-11,	
TWO PLACE DECIMAL ± .01				144, 165, 213, 214, 216, & 225/U CABLES	
THREE PLACE DECIMAL ± .005				SIZE DWG. NO. REV	
SURFACE FINISH = 63				B 1101004A00E-001 A	
MAX. CORNER BREAKS = .004				CODE ID - 00795 WEIGHT: 51.08 g SHEET 1 OF 1	
THIRD ANGLE PROJECTION	COMMENTS:				
MATERIAL	SEE TABLE				
FINISH	SEE TABLE				
SCALE:	3:1				

M39012/01-0005

PROPRIETARY AND CONFIDENTIAL  
 THE INFORMATION CONTAINED IN THIS DRAWING IS THE SOLE PROPERTY OF DELTA ELECTRONICS MFG CORP. ANY REPRODUCTION IN PART OR AS A WHOLE WITHOUT THE WRITTEN PERMISSION OF DELTA ELECTRONICS MFG CORP. IS PROHIBITED.  
 FILE NAME: 1101004A00E-001

## X-ON Electronics

Largest Supplier of Electrical and Electronic Components

*Click to view similar products for [RF Connectors](#) / [Coaxial Connectors](#) category:*

*Click to view products by [Delta](#) manufacturer:*

Other Similar products are found below :

[8915-1511-000](#) [89674-0827](#) [6001-7071-019](#) [6002-7051-003](#) [6059674-1](#) [619550-1](#) [630059-000](#) [M39030/3-01N](#) [6769](#) [CX050L2AQ](#) [7002-1541-010](#) [7002-1542-011](#) [7002-1572-002](#) [7003-1542-011](#) [7004-1512-000](#) [7009-1511-004](#) [7010-1511-000](#) [7029-1511-060](#) [7101-1541-010](#) [7101-1571-002](#) [7145-1521-002](#) [7203-1571-003](#) [7209-1511-011](#) [7210-1511-015](#) [7210-1511-019](#) [73137-5015](#) [73216-2241](#) [73404-2300](#) [7405-1521-005](#) [7405-1521-802](#) [8527](#) [8547](#) [FS11V](#) [9049-9513-000](#) [9074-9513-000](#) [910A205F](#) [PL11SC-026](#) [PL375-33](#) [PL40-5](#) [PL74C-221](#) [PL75MC-217](#) [PL803-7](#) [980-8666-005](#) [1200690078](#) [1-201144-1](#) [R107003010W](#) [R110A172100](#) [R112186000](#) [R113053000W](#) [R113081000](#)