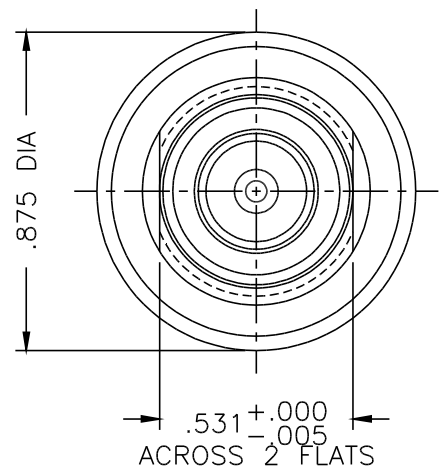
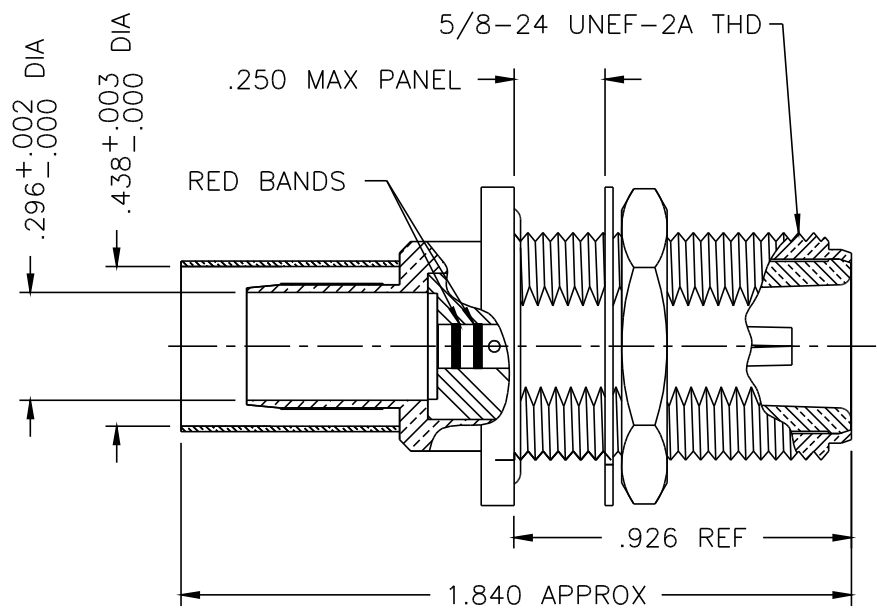
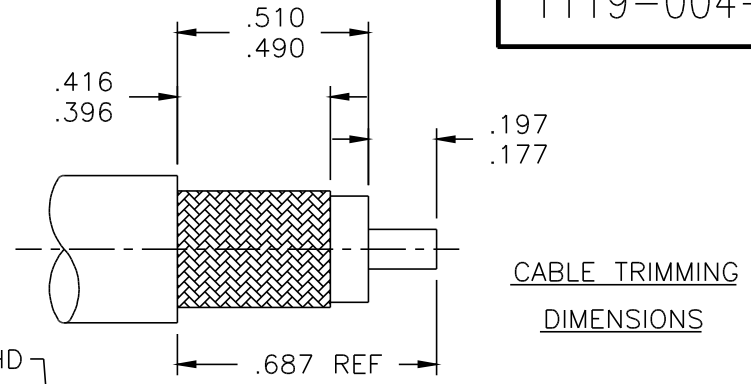




1119-004-A72E-1



NOTES:

1. ASSEMBLED CONNECTOR INTERFACE IS DESIGNED IN ACCORDANCE WITH MIL-STD-348.
2. MATERIAL: BODY & HEX NUT- BRASS PER ASTM B16
 LOCKWASHER- SPRING STEEL
 CONTACT- BERYLLIUM COPPER PER ASTM B196.
 BUSHING- BRASS PER ASTM B16.
 GASKET- SILICONE RUBBER PER ZZ-R-765
 INSULATOR- TEFLON PER ASTM D1710
 CRIMP SLEEVE- D.H.P. COPPER CDA ALLOY 122
3. FINISHES: CONTACT- GOLD PLATE PER MIL-G-45204
 ALL OTHER METAL PARTS- SILVER PLATE PER QQ-S-365

M39012/03-0501

DELTA ELECTRONICS MFG. CORP. Beverly, MA 01915				
TITLE: 'N' SHORT CRIMP BULKHEAD MOUNT JACK FOR RG-8A, 9B, 213, 214, 225 & 393/U CABLE				
Drawn by RWP	Scale 2/1	Ckd. by	Engr Appd	FILE NAME: 1119004A72E-001T
11/26/96				

A	REVISED (BJM)	8/23/2001
-	OUTLINE	11/26/96
ALT.	REVISIONS	DATE

UNLESS OTHERWISE SPECIFIED: TOLERANCES: 3 PLACES = ±.005, 2 PLACES = ±.02, ANGLES = ±1/2°, SURFACE FINISH = 63

THESE DRAWINGS AND SPECIFICATIONS ARE THE PROPERTY OF DELTA ELECTRONICS MFG CORP. AND SHALL NOT BE REPRODUCED, OR COPIED OR USED AS THE BASIS FOR THE MANUFACTURE OR SALE OF APPARATUS OR DEVICES WITHOUT THEIR EXPRESS WRITTEN CONSENT.

CODE IDENT.-00795

1119-004-A72E-1

X-ON Electronics

Largest Supplier of Electrical and Electronic Components

Click to view similar products for [RF Connectors](#) / [Coaxial Connectors](#) category:

Click to view products by [Delta](#) manufacturer:

Other Similar products are found below :

[8915-1511-000](#) [89674-0827](#) [6002-7051-003](#) [6059674-1](#) [619550-1](#) [630059-000](#) [M39030/3-01N](#) [6501-1071-002](#) [6769](#) [7002-1541-010](#) [7002-1572-002](#) [7003-1542-011](#) [7004-1512-000](#) [7009-1511-004](#) [7101-1541-010](#) [7101-1571-002](#) [7105-1521-002](#) [7203-1571-003](#) [7209-1511-011](#) [7210-1511-040](#) [7242-1511-000](#) [73216-2241](#) [73404-2300](#) [7405-1521-005](#) [7405-1521-802](#) [8527](#) [8547](#) [FS11V](#) [877931](#) [8808-1511-001](#) [9074-9513-000](#) [910A205F](#) [PL40-36](#) [PL71-9](#) [980-8666-005](#) [1200690078](#) [1-201144-1](#) [120919](#) [R107003010W](#) [R112186000](#) [R113053000W](#) [R113236000](#) [R113240000](#) [R113240097](#) [R114073000W](#) [R114083000](#) [R114670000W](#) [R123415000W](#) [R124076320](#) [R124076450](#)