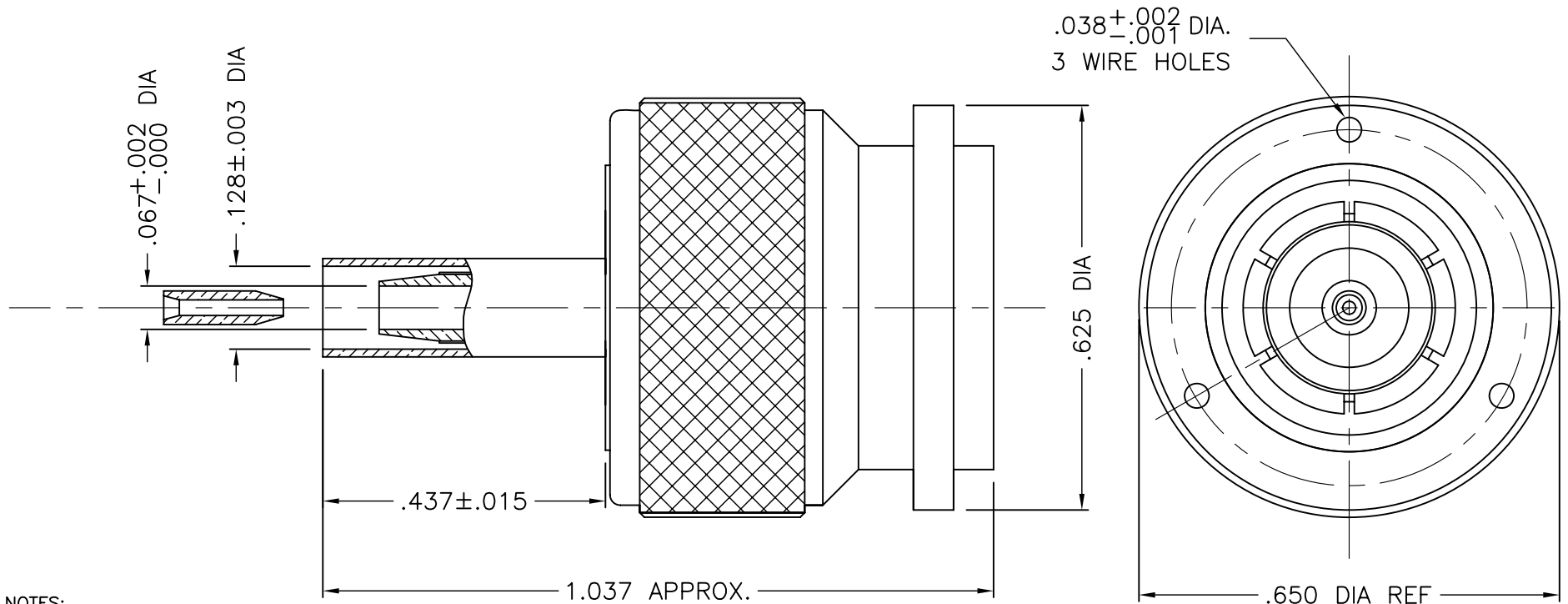




1203-037-A00E-2



NOTES:

- ASSEMBLED CONNECTOR INTERFACE IS DESIGNED IN ACCORDANCE WITH MIL-STD-348.
- MATERIAL: BODY - BRASS PER ASTM B16
 CENTER CONTACT - BRASS PER ASTM B16.
 CONTACT FINGERS - BERYLLIUM COPPER PER ASTM B196.
 INSULATOR - TEFLON PER ASTM D4894
 CRIMP SLEEVE - D.H.P. COPPER CDA ALLOY 122
 RETAINING RING - PHOSPHOR BRONZE PER QQ-B-750
 GASKET - SILICONE RUBBER PER A-A-59588
- FINISHES: RETAINING RING - NOT PLATED
 CONTACT - GOLD PLATE PER ASTM B488
 CRIMP SLEEVE - SULFAMATE NICKEL PLATE PER MIL-P-27418
 ALL OTHER METAL PARTS - SILVER PLATE PER ASTM B700

M39012/26-0022

DELTA ELECTRONICS MFG. CORP. Beverly, MA 01915				
TITLE: TNC CRIMP PLUG FOR RG-174, 179B, 187A, 188A, 316/U CABLES				
Drawn by BJM	Scale 4/1	Ckd. by MR	Engr Appd MR	FILE NAME: 1203037A00E-002T
8/11/08				

UNLESS OTHERWISE SPECIFIED: TOLERANCES: 3 PLACES = $\pm .005$, 2 PLACES = $\pm .02$, ANGLES = $\pm 1/2^\circ$, SURFACE FINISH = 63

-	OUTLINE	8/11/08
ALT.	REVISIONS	DATE

THESE DRAWINGS AND SPECIFICATIONS ARE THE PROPERTY OF DELTA ELECTRONICS MFG CORP. AND SHALL NOT BE REPRODUCED, OR COPIED OR USED AS THE BASIS FOR THE MANUFACTURE OR SALE OF APPARATUS OR DEVICES WITHOUT THEIR EXPRESS WRITTEN CONSENT.

CODE IDENT.-00795

1203-037-A00E-2

X-ON Electronics

Largest Supplier of Electrical and Electronic Components

Click to view similar products for [RF Connectors](#) / [Coaxial Connectors](#) category:

Click to view products by [Delta manufacturer](#):

Other Similar products are found below :

[8915-1511-000](#) [89674-0827](#) [6001-7071-019](#) [6002-7051-003](#) [6059674-1](#) [619550-1](#) [630059-000](#) [M39030/3-01N](#) [6769](#) [CX050L2AQ](#) [7002-1541-010](#) [7002-1542-011](#) [7002-1572-002](#) [7003-1542-011](#) [7004-1512-000](#) [7009-1511-004](#) [7010-1511-000](#) [7029-1511-060](#) [7101-1541-010](#) [7101-1571-002](#) [7145-1521-002](#) [7203-1571-003](#) [7209-1511-011](#) [7210-1511-015](#) [7210-1511-019](#) [73137-5015](#) [73216-2241](#) [73404-2300](#) [7405-1521-005](#) [7405-1521-802](#) [8527](#) [8547](#) [FS11V](#) [9049-9513-000](#) [9074-9513-000](#) [910A205F](#) [PL11SC-026](#) [PL375-33](#) [PL40-5](#) [PL74C-221](#) [PL75MC-217](#) [PL803-7](#) [980-8666-005](#) [1200690078](#) [1-201144-1](#) [R107003010W](#) [R110A172100](#) [R112186000](#) [R113053000W](#) [R113081000](#)