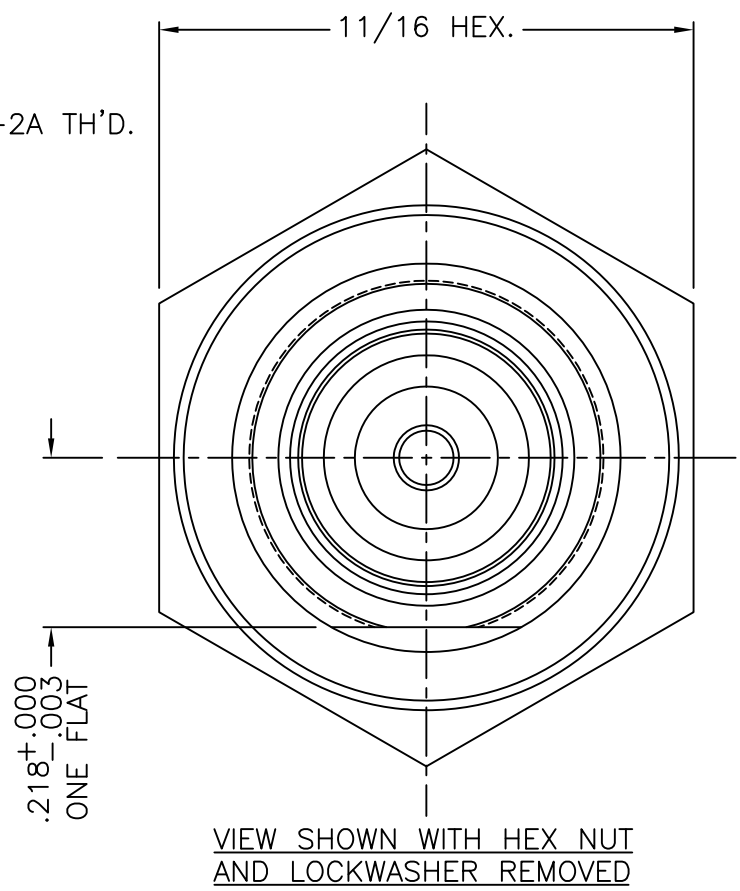
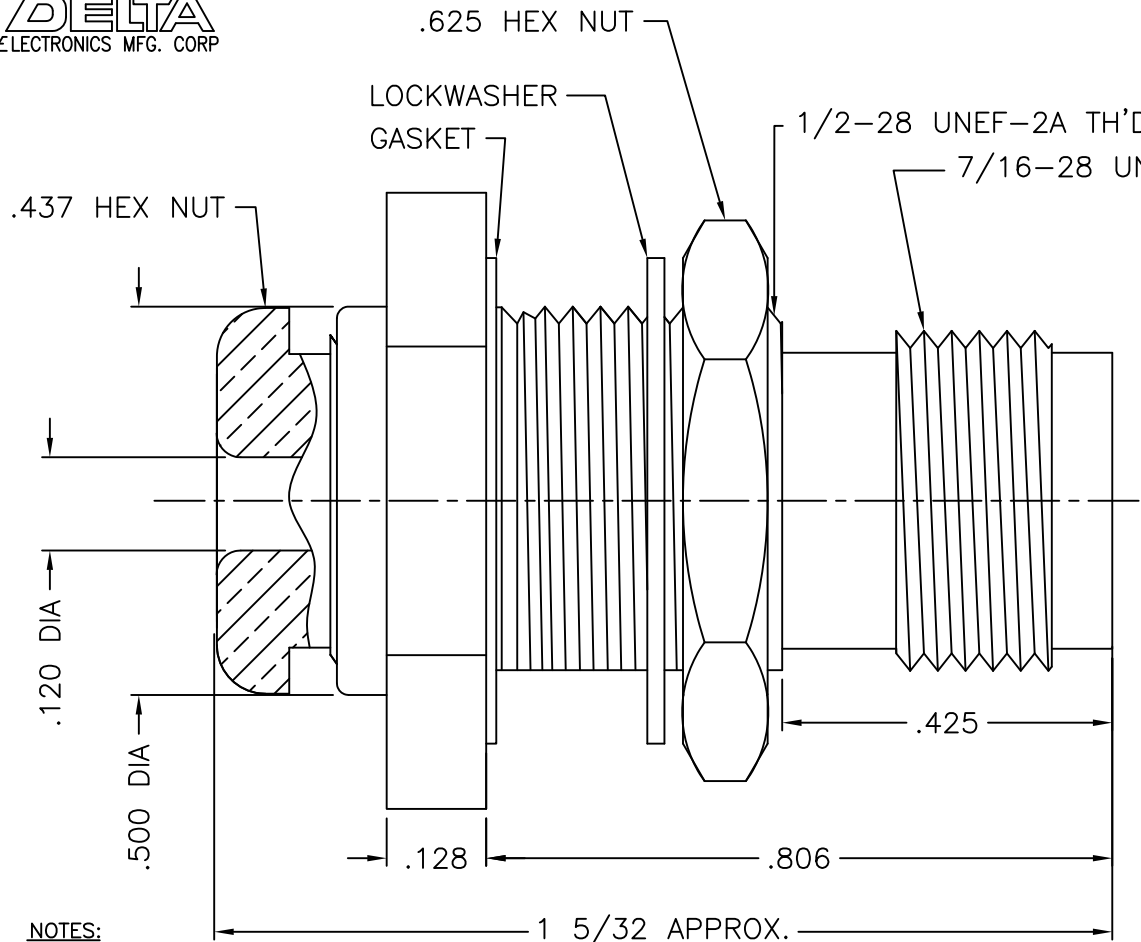




1216037A59E-000



- NOTES:**
- ASSEMBLED CONNECTOR INTERFACE IS DESIGNED IN ACCORDANCE WITH MIL-STD-348.
 - MATERIAL:** CONTACT - BERYLLIUM COPPER PER ASTM B196.
 LOCKWASHER - SPRING STEEL
 INSULATORS - TEFLON PER ASTM D4894
 GASKETS - SILICONE RUBBER PER A-A-59588
 ALL OTHER METAL PARTS - BRASS PER ASTM B16
 - FINISHES:** CONTACT - GOLD PLATE PER ASTM B488
 ALL OTHER METAL PARTS - SILVER PLATE PER ASTM B700
 - RECOMMENDED TORQUE VALUES:** CLAMP NUT - 20 in-lbs
 PANEL HEX NUT - 35 to 40 in-lbs

M39012/28-0018

DELTA ELECTRONICS MFG. CORP. Beverly, MA 01915

TITLE: "TNC" CAPTIVE CONTACT B'HEAD MOUNTING CLAMP JACK FOR RG-174, 179B, 187A, 188A & 316/U CABLES				
Drawn by BJM 11/11/08	Scale 4/1	Ckd. by MR	Engr Appd MR	FILE NAME: 1216037A59E-000T

A	REVISED	1/29/19
-	OUTLINE	11/11/08
ALT.	REVISIONS	DATE

UNLESS OTHERWISE SPECIFIED: TOLERANCES: 3 PLACES = ±.005, 2 PLACES = ±.02, ANGLES = ±1/2°, SURFACE FINISH = 63

THESE DRAWINGS AND SPECIFICATIONS ARE THE PROPERTY OF DELTA ELECTRONICS MFG CORP. AND SHALL NOT BE REPRODUCED, OR COPIED OR USED AS THE BASIS FOR THE MANUFACTURE OR SALE OF APPARATUS OR DEVICES WITHOUT THEIR EXPRESS WRITTEN CONSENT.

CODE IDENT.-00795

1216037A59E-000

X-ON Electronics

Largest Supplier of Electrical and Electronic Components

Click to view similar products for [RF Connectors](#) / [Coaxial Connectors](#) category:

Click to view products by [Delta manufacturer](#):

Other Similar products are found below :

[8915-1511-000](#) [89674-0827](#) [6001-7071-019](#) [6002-7051-003](#) [6059674-1](#) [619550-1](#) [630059-000](#) [M39030/3-01N](#) [6769](#) [CX050L2AQ](#) [7002-1541-010](#) [7002-1542-011](#) [7002-1572-002](#) [7003-1542-011](#) [7004-1512-000](#) [7009-1511-004](#) [7010-1511-000](#) [7029-1511-060](#) [7101-1541-010](#) [7101-1571-002](#) [7145-1521-002](#) [7203-1571-003](#) [7209-1511-011](#) [7210-1511-015](#) [7210-1511-019](#) [73137-5015](#) [73216-2241](#) [73404-2300](#) [7405-1521-005](#) [7405-1521-802](#) [8527](#) [8547](#) [FS11V](#) [9049-9513-000](#) [9074-9513-000](#) [910A205F](#) [PL11SC-026](#) [PL375-33](#) [PL40-5](#) [PL74C-221](#) [PL75MC-217](#) [PL803-7](#) [980-8666-005](#) [1200690078](#) [1-201144-1](#) [R107003010W](#) [R110A172100](#) [R112186000](#) [R113053000W](#) [R113081000](#)