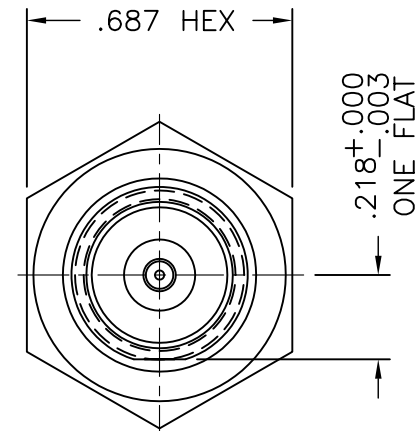
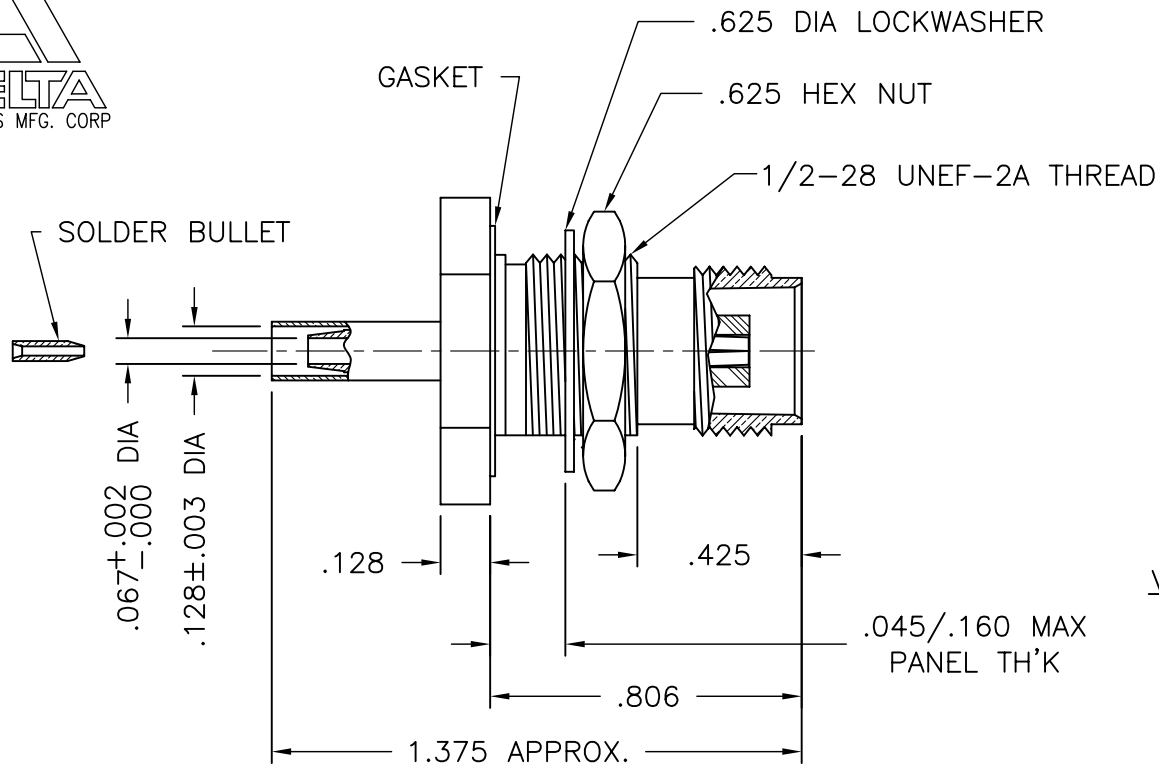




1219-037-A59E



VIEW SHOWN WITH HEX. NUT & LOCKWASHER REMOVED

**NOTES:**

1. ASSEMBLED CONNECTOR INTERFACE IS DESIGNED IN ACCORDANCE WITH MIL-STD-348.
2. MATERIAL: BODY & HEX NUT- BRASS PER ASTM B16  
 CONTACT - BERLLIUM COPPER PER ASTM B196  
 INSULATORS - TEFLON PER ASTM D4894  
 BUSHING - BRASS PER ASTM B16  
 GASKET - SILICONE RUBBER PER A-A-59588  
 CRIMP SLEEVE - D.H.P. COPPER CDA ALLOY 122  
 LOCKWASHER - SPRING STEEL
3. FINISHES: CONTACT - GOLD PLATE PER ASTM B488  
 CRIMP SLEEVE - SULFAMATE NICKEL PLATE PER MIL-P-27418  
 ALL OTHER METAL PARTS - SILVER PLATE PER ASTM B700

M39012/28-0022

DELTA ELECTRONICS MFG. CORP. Beverly, MA 01915

TITLE:  
TNC BULKHEAD CRIMP JACK FOR RG-174, 179B, 187A, 188A, 316/U CABLES

|                            |              |               |                 |                                |
|----------------------------|--------------|---------------|-----------------|--------------------------------|
| Drawn by<br>BJM<br>3/15/05 | Scale<br>2/1 | Ckd. by<br>MR | Engr Appd<br>MR | FILE NAME:<br>1219037A59E-000T |
|----------------------------|--------------|---------------|-----------------|--------------------------------|

UNLESS OTHERWISE SPECIFIED: TOLERANCES: 3 PLACES = ±.005, 2 PLACES = ±.02, ANGLES = ±1/2', SURFACE FINISH = 63

|      |           |         |
|------|-----------|---------|
| -    | OUTLINE   | 3/15/05 |
| ALT. | REVISIONS | DATE    |

THESE DRAWINGS AND SPECIFICATIONS ARE THE PROPERTY OF DELTA ELECTRONICS MFG CORP. AND SHALL NOT BE REPRODUCED, OR COPIED OR USED AS THE BASIS FOR THE MANUFACTURE OR SALE OF APPARATUS OR DEVICES WITHOUT THEIR EXPRESS WRITTEN CONSENT.

CODE IDENT.-00795

1219-037-A59E

## X-ON Electronics

Largest Supplier of Electrical and Electronic Components

*Click to view similar products for [RF Connectors](#) / [Coaxial Connectors](#) category:*

*Click to view products by [Delta manufacturer](#):*

Other Similar products are found below :

[8915-1511-000](#) [89674-0827](#) [6001-7071-019](#) [6002-7051-003](#) [6059674-1](#) [619550-1](#) [630059-000](#) [M39030/3-01N](#) [6769](#) [CX050L2AQ](#) [7002-1541-010](#) [7002-1542-011](#) [7002-1572-002](#) [7003-1542-011](#) [7004-1512-000](#) [7009-1511-004](#) [7010-1511-000](#) [7029-1511-060](#) [7101-1541-010](#) [7101-1571-002](#) [7145-1521-002](#) [7203-1571-003](#) [7209-1511-011](#) [7210-1511-015](#) [7210-1511-019](#) [73137-5015](#) [73216-2241](#) [73404-2300](#) [7405-1521-005](#) [7405-1521-802](#) [8527](#) [8547](#) [FS11V](#) [9049-9513-000](#) [9074-9513-000](#) [910A205F](#) [PL11SC-026](#) [PL375-33](#) [PL40-5](#) [PL74C-221](#) [PL75MC-217](#) [PL803-7](#) [980-8666-005](#) [1200690078](#) [1-201144-1](#) [R107003010W](#) [R110A172100](#) [R112186000](#) [R113053000W](#) [R113081000](#)