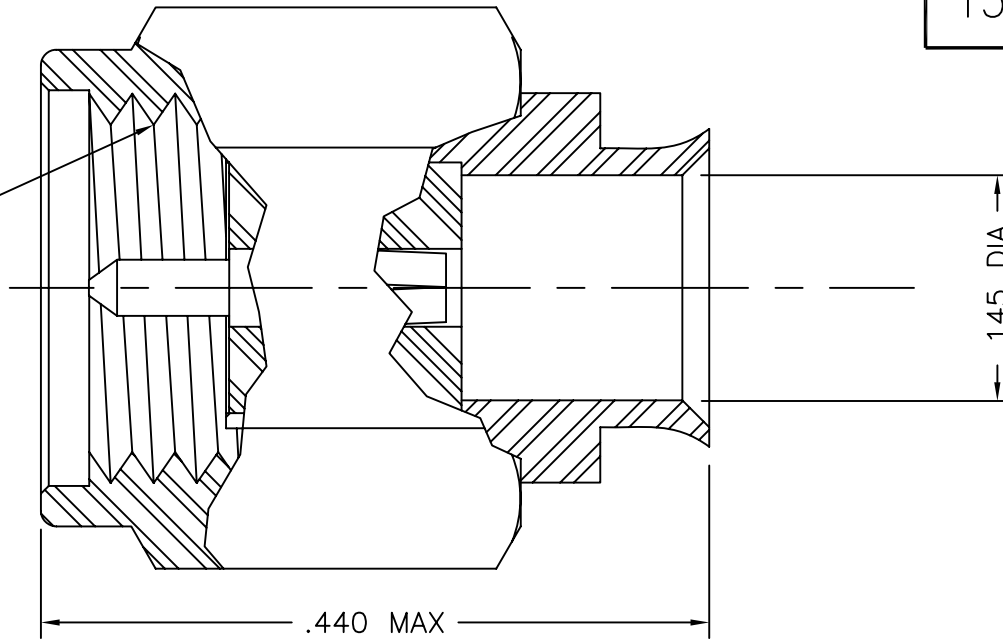




1301-031-K003-8

1/4-36 UNS 2B TH'D



NOTES:

1. ASSEMBLED CONNECTOR INTERFACE IS DESIGNED IN ACCORDANCE WITH MIL-STD-348.
2. MATERIAL: BODY & COUPLING NUT - CORROSION RESISTANT STEEL PER ASTM A582
 CONTACT - BERYLLIUM COPPER PER ASTM B196.
 GASKET - SILICONE RUBBER PER ZZ-R-765
 INSULATOR - TEFLON PER ASTM D1710
3. FINISHES: COUPLING NUT - PASSIVATE PER QQ-P-35
 BODY - GOLD PLATE, DEP WOODS NICKEL STRIKE .000010 MAX.
 THICK THEN SULFAMATE NICKEL PLATE .00015 MIN. THICK
 PER MIL-G-27418 THEN GOLD PLATE .00005 MIN. THICK
 PER MIL-G-45204, TYPE II, CLASS 1.

 CONTACT - GOLD PLATE, COPPER FLASH .00003 MIN. THICK PER
 MIL-C-14550, THEN NICKEL PLATE .00005 MIN. THICK PER
 QQ-N-290, CLASS 1, GRADE G, THEN GOLD PLATE .00005 MIN.
 THICK PER MIL-G-45204, TYPE II, CLASS 1.

4. ELECTRICALS:
 NOMINAL IMPEDANCE: 50 OHMS
 VOLTAGE RATING: 500 V RMS @ SEA LEVEL
 V.S.W.R: 1.05 + .01f(GHz)
 DWV (AT SEA LEVEL): 1000 V RMS MIN.
 FREQUENCY - DC - 22 GHz

5. MECHANICALS:
 DURABILITY: 500 MATING CYCLES
 COUPLING NUT PROOF TORQUE: 15 IN-LBS.
 COUPLING NUT RETENTION: 60 LB MIN.
 CENTER CONTACT RETENTION FORCE: 6 LBS. MIN AXIAL, BOTH DIRECTIONS /
 4 IN-OZ MIN RADIAL FORCE

UNLESS OTHERWISE SPECIFIED: TOLERANCES: 3 PLACES = ±.005, 2 PLACES = ±.02, ANGLES = ±1/2'

B	REVISED	2/27/07
A	REVISED	4/28/99
-	OUTLINE	2-25-97
ALT.	REVISIONS	DATE

DELTA ELECTRONICS MFG. CORP. Beverly, MA 01915				
TITLE: 'SMA' "ONE STEP" PLUG FOR .141 DIA. SEMI-RIGID CABLE				
Drawn by KD 2-25-97	Scale 8/1	Ckd. by MR	Engr Appd MR	FILE NAME: 1301031K003-008T

THESE DRAWINGS AND SPECIFICATIONS ARE THE PROPERTY OF DELTA ELECTRONICS MFG CORP. AND SHALL NOT BE REPRODUCED, OR COPIED OR USED AS THE BASIS FOR THE MANUFACTURE OR SALE OF APPARATUS OR DEVICES WITHOUT THEIR EXPRESS WRITTEN CONSENT.

CODE IDENT.-00795

1301-031-K003-8

X-ON Electronics

Largest Supplier of Electrical and Electronic Components

Click to view similar products for [RF Connectors](#) / [Coaxial Connectors](#) category:

Click to view products by [Delta](#) manufacturer:

Other Similar products are found below :

[8915-1511-000](#) [89674-0827](#) [6001-7071-019](#) [6002-7051-003](#) [6059674-1](#) [619550-1](#) [630059-000](#) [M39030/3-01N](#) [6769](#) [CX050L2AQ](#) [7002-1541-010](#) [7002-1542-011](#) [7002-1572-002](#) [7003-1542-011](#) [7004-1512-000](#) [7009-1511-004](#) [7010-1511-000](#) [7029-1511-060](#) [7101-1541-010](#) [7101-1571-002](#) [7145-1521-002](#) [7203-1571-003](#) [7209-1511-011](#) [7210-1511-015](#) [7210-1511-019](#) [73137-5015](#) [73216-2241](#) [73404-2300](#) [7405-1521-005](#) [7405-1521-802](#) [8527](#) [8547](#) [FS11V](#) [9049-9513-000](#) [9074-9513-000](#) [9101-9573-002](#) [910A205F](#) [9130-9573-002](#) [PL11SC-026](#) [PL375-33](#) [PL40-5](#) [PL74C-221](#) [PL75MC-217](#) [PL803-7](#) [980-8666-005](#) [1200690078](#) [1-201144-1](#) [R107003010W](#) [R110A172100](#) [R112186000](#)