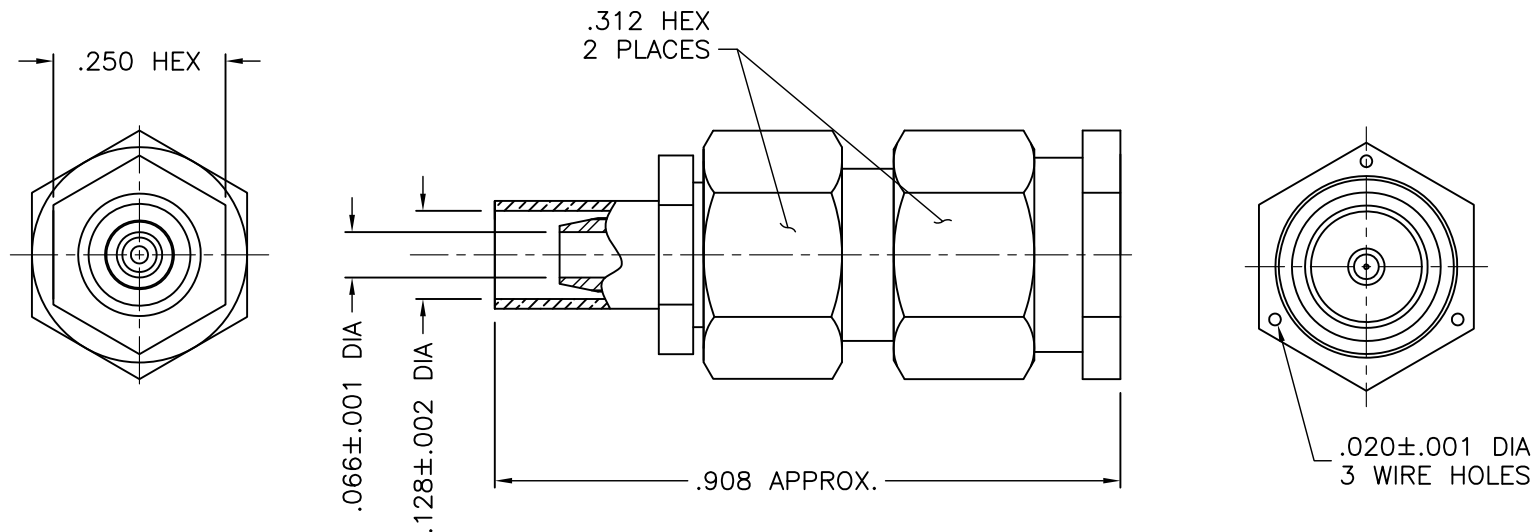




1301-037-K00E



**NOTES:**

1. ASSEMBLED CONNECTOR INTERFACE IS DESIGNED IN ACCORDANCE WITH MIL-STD-348.
2. MATERIAL: CONTACT - BRASS PER ASTM B16  
 INSULATOR - TEFLON PER ASTM D4894  
 GASKET - SILICONE RUBBER PER A-A-59588  
 CRIMP SLEEVE - D.H.P. COPPER CDA ALLOY 122  
 ALL OTHER METAL PARTS - CORROSION RESISTANT STEEL PER ASTM A582
3. FINISHES: CONTACT, CLAMP & SOLDER SLEEVE - GOLD PLATE PER ASTM B488  
 ALL OTHER METAL PARTS - PASSIVATE PER QQ-P-35

M39012/55-3007

DELTA ELECTRONICS MFG. CORP. Beverly, MA 01915					
TITLE: 'SMA' SOLDER SLEEVE PLUG RG-188 & 316/U CABLES					
Drawn by BJM 2/7/08	Scale 4/1	Ckd. by MR	Engr Appd MR	FILE NAME: 1301037K00E-000T	
CODE IDENT.-00795			1301-037-K00E		

UNLESS OTHERWISE SPECIFIED: TOLERANCES: 3 PLACES =  $\pm .005$ , 2 PLACES =  $\pm .02$ , ANGLES =  $\pm 1/2^\circ$ , SURFACE FINISH = 63

-	OUTLINE	2/7/08
ALT.	REVISIONS	DATE

THESE DRAWINGS AND SPECIFICATIONS ARE THE PROPERTY OF DELTA ELECTRONICS MFG CORP. AND SHALL NOT BE REPRODUCED, OR COPIED OR USED AS THE BASIS FOR THE MANUFACTURE OR SALE OF APPARATUS OR DEVICES WITHOUT THEIR EXPRESS WRITTEN CONSENT.

## X-ON Electronics

Largest Supplier of Electrical and Electronic Components

*Click to view similar products for [RF Connectors](#) / [Coaxial Connectors](#) category:*

*Click to view products by [Delta manufacturer](#):*

Other Similar products are found below :

[8915-1511-000](#) [89674-0827](#) [6001-7071-019](#) [6002-7051-003](#) [6059674-1](#) [619550-1](#) [630059-000](#) [M39030/3-01N](#) [6769](#) [CX050L2AQ](#) [7002-1541-010](#) [7002-1542-011](#) [7002-1572-002](#) [7003-1542-011](#) [7004-1512-000](#) [7009-1511-004](#) [7010-1511-000](#) [7029-1511-060](#) [7101-1541-010](#) [7101-1571-002](#) [7145-1521-002](#) [7203-1571-003](#) [7209-1511-011](#) [7210-1511-015](#) [7210-1511-019](#) [73137-5015](#) [73216-2241](#) [73404-2300](#) [7405-1521-005](#) [7405-1521-802](#) [8527](#) [8547](#) [FS11V](#) [9049-9513-000](#) [9074-9513-000](#) [910A205F](#) [PL11SC-026](#) [PL375-33](#) [PL40-5](#) [PL74C-221](#) [PL75MC-217](#) [PL803-7](#) [980-8666-005](#) [1200690078](#) [1-201144-1](#) [R107003010W](#) [R110A172100](#) [R112186000](#) [R113053000W](#) [R113081000](#)