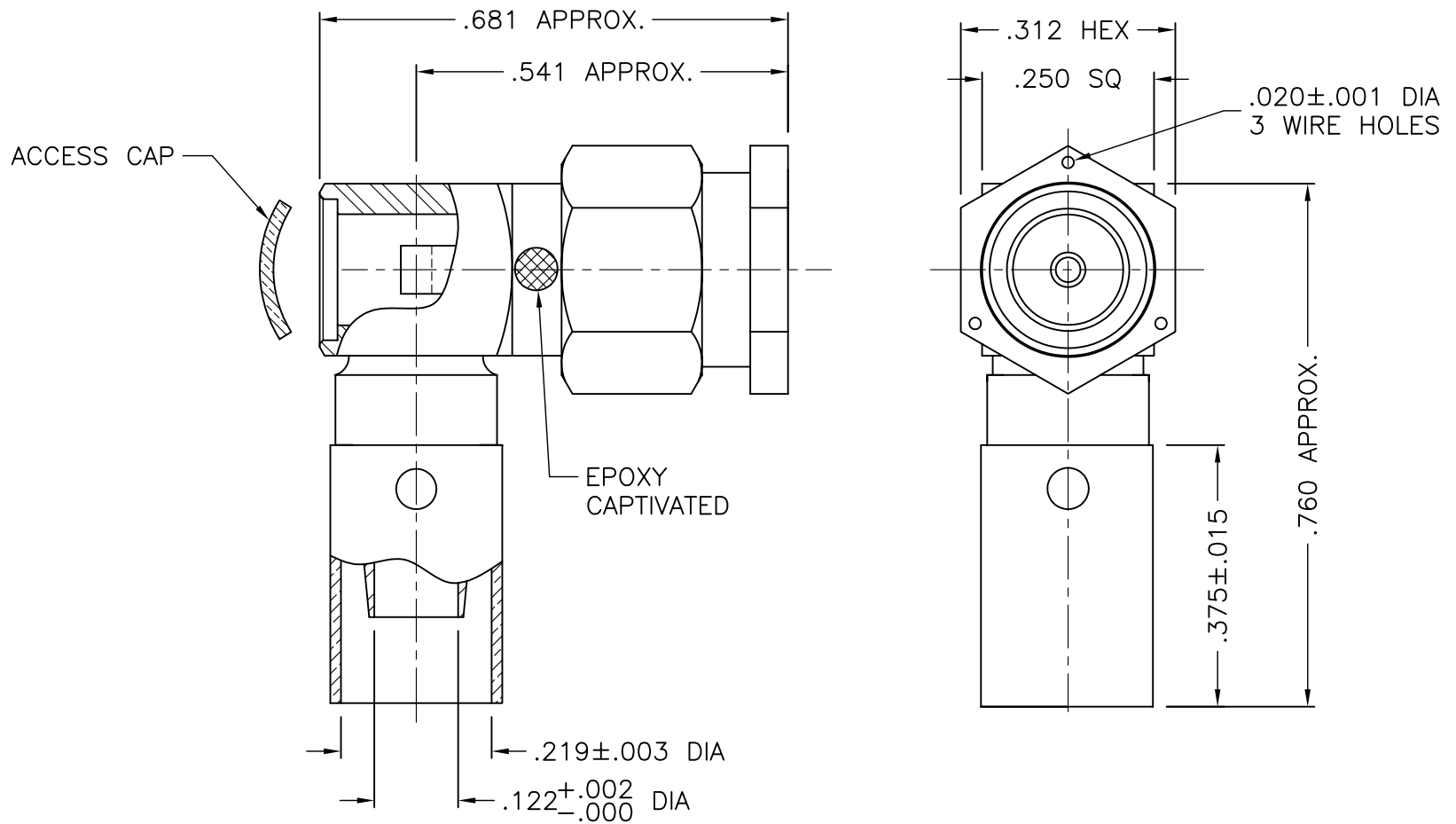




1305-015-K00E



**NOTES:**

- ASSEMBLED CONNECTOR INTERFACE IS DESIGNED IN ACCORDANCE WITH MIL-STD-348.
- MATERIAL: BODY & COUPLING NUT - CORROSION RESISTANT STEEL PER ASTM A582  
 CONTACT - BRASS PER ASTM B16.  
 GASKET - SILICONE RUBBER PER A-A-59588  
 INSULATORS - TEFLON PER ASTM D4894  
 SOLDER SLEEVE - D.H.P. COPPER CDA ALLOY 122
- FINISHES: BODY - GOLD PLATE PER ASTM B488  
 COUPLING NUT - PASSIVATE PER AMS-QQ-P-35  
 CONTACT - GOLD PLATE PER ASTM B488  
 SOLDER SLEEVE - GOLD PLATE PER ASTM B488

M39012/56-3009

DELTA ELECTRONICS MFG. CORP. Beverly, MA 01915

TITLE: SMA RIGHT ANGLE SOLDER PLUG  
 FOR RG-142B/U, 223/U AND 400/U CABLES

|   |      |           |         |                            |              |               |                 |                                |
|---|------|-----------|---------|----------------------------|--------------|---------------|-----------------|--------------------------------|
| UNLESS OTHERWISE SPECIFIED: TOLERANCES: 3 PLACES = $\pm .005$ , 2 PLACES = $\pm .02$ , ANGLES = $\pm 1/2^\circ$ , SURFACE FINISH = 63 | -    | OUTLINE   | 3/22/05 | Drawn by<br>BJM<br>3/22/05 | Scale<br>4/1 | Ckd. by<br>MR | Engr Appd<br>MR | FILE NAME:<br>1305015K00E-000T |
|   | ALT. | REVISIONS | DATE    |                            |              |               |                 |                                |

THESE DRAWINGS AND SPECIFICATIONS ARE THE PROPERTY OF DELTA ELECTRONICS MFG CORP. AND SHALL NOT BE REPRODUCED, OR COPIED OR USED AS THE BASIS FOR THE MANUFACTURE OR SALE OF APPARATUS OR DEVICES WITHOUT THEIR EXPRESS WRITTEN CONSENT.

CODE IDENT.-00795

1305-015-K00E

## X-ON Electronics

Largest Supplier of Electrical and Electronic Components

*Click to view similar products for [RF Connectors](#) / [Coaxial Connectors](#) category:*

*Click to view products by [Delta manufacturer](#):*

Other Similar products are found below :

[8915-1511-000](#) [89674-0827](#) [6001-7071-019](#) [6002-7051-003](#) [6059674-1](#) [619550-1](#) [630059-000](#) [M39030/3-01N](#) [6769](#) [CX050L2AQ](#) [7002-1541-010](#) [7002-1542-011](#) [7002-1572-002](#) [7003-1542-011](#) [7004-1512-000](#) [7009-1511-004](#) [7010-1511-000](#) [7029-1511-060](#) [7101-1541-010](#) [7101-1571-002](#) [7145-1521-002](#) [7203-1571-003](#) [7209-1511-011](#) [7210-1511-015](#) [7210-1511-019](#) [73137-5015](#) [73216-2241](#) [73404-2300](#) [7405-1521-005](#) [7405-1521-802](#) [8527](#) [8547](#) [FS11V](#) [9049-9513-000](#) [9074-9513-000](#) [910A205F](#) [PL11SC-026](#) [PL375-33](#) [PL40-5](#) [PL74C-221](#) [PL75MC-217](#) [PL803-7](#) [980-8666-005](#) [1200690078](#) [1-201144-1](#) [R107003010W](#) [R110A172100](#) [R112186000](#) [R113053000W](#) [R113081000](#)