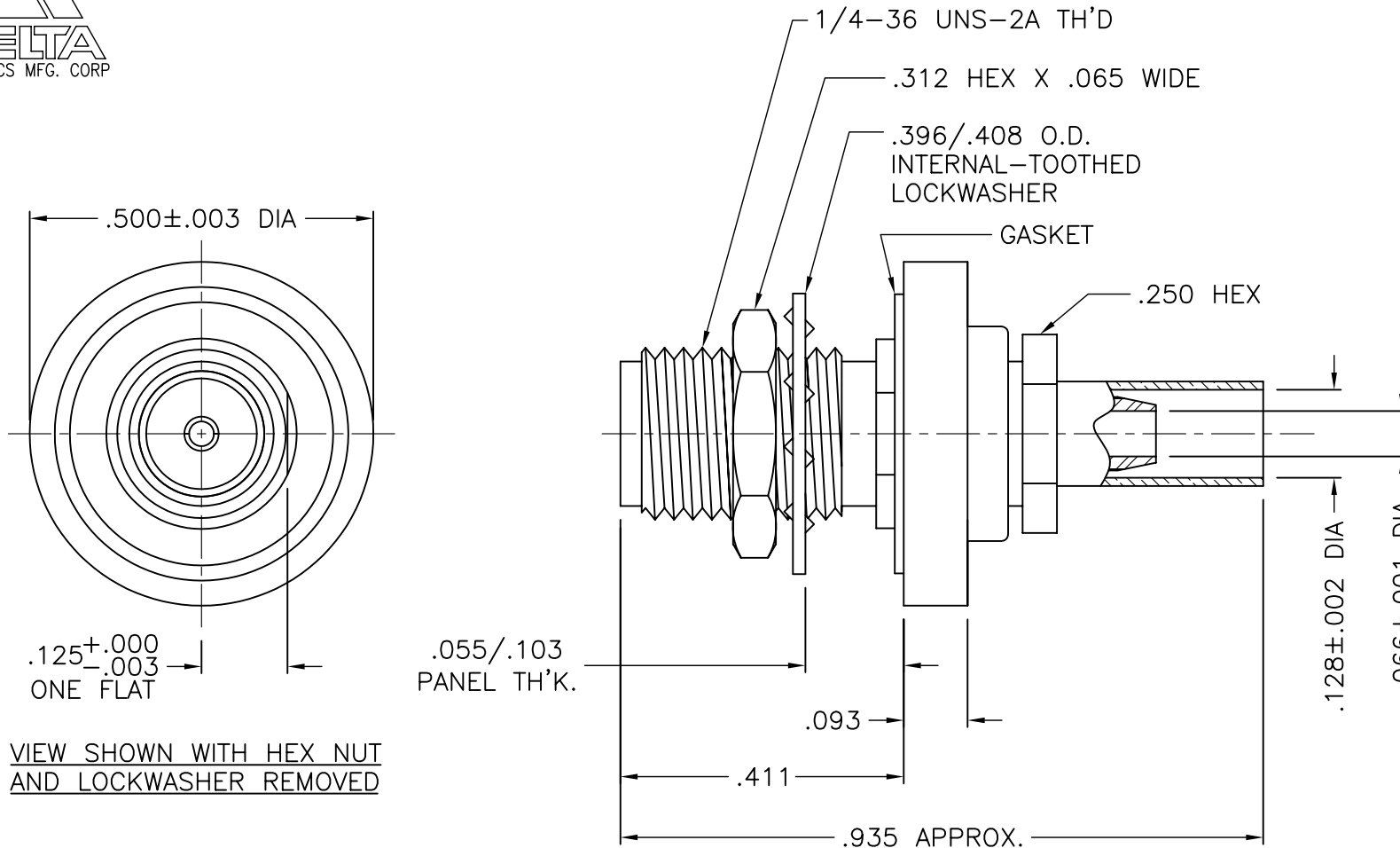




1319-037-K66E



VIEW SHOWN WITH HEX NUT AND LOCKWASHER REMOVED

NOTES:

1. ASSEMBLED CONNECTOR INTERFACE IS DESIGNED IN ACCORDANCE WITH MIL-STD-348.
2. MATERIAL: CONTACT - BERYLLIUM COPPER PER ASTM B196
INSULATOR - TEFLON PER ASTM D4894
GASKET - SILICONE RUBBER PER A-A-59588
CRIMP SLEEVE - D.H.P. COPPER CDA ALLOY 122
ALL OTHER METAL PARTS - CORROSION RESISTANT STEEL PER ASTM A582
3. FINISHES: CONTACT - GOLD PLATE PER ASTM B488
CRIMP SLEEVE - SULFAMATE NICKEL PLATE PER MIL-P-27418
ALL OTHER METAL PARTS - PASSIVATE PER QQ-P-35

M39012/59-3026

DELTA ELECTRONICS MFG. CORP. Beverly, MA 01915

TITLE:
SMA BULKHEAD CRIMP JACK FOR RG-174, 179B, 187A, 188A, 316/U CABLES - CAPTIVE CONTACT

| | | | | | | | | |
|--|------|-----------|---------|-----------------|--------------|---------------|-----------------|--------------------------------|
| UNLESS OTHERWISE SPECIFIED: TOLERANCES: 3 PLACES = ±.005, 2 PLACES = ±.02, ANGLES = ±1/2', SURFACE FINISH = 63 | - | OUTLINE | 3/22/05 | Drawn by BJM | Scale 4/1 | Ckd. by MR | Engr Appd MR | FILE NAME: 1319037K66E-000T |
| | ALT. | REVISIONS | DATE | 3/22/05 | | | | |

THESE DRAWINGS AND SPECIFICATIONS ARE THE PROPERTY OF DELTA ELECTRONICS MFG CORP. AND SHALL NOT BE REPRODUCED, OR COPIED OR USED AS THE BASIS FOR THE MANUFACTURE OR SALE OF APPARATUS OR DEVICES WITHOUT THEIR EXPRESS WRITTEN CONSENT.

CODE IDENT.-00795

1319-037-K66E

X-ON Electronics

Largest Supplier of Electrical and Electronic Components

Click to view similar products for [RF Connectors](#) / [Coaxial Connectors](#) category:

Click to view products by [Delta manufacturer](#):

Other Similar products are found below :

[8915-1511-000](#) [89674-0827](#) [6001-7071-019](#) [6002-7051-003](#) [6059674-1](#) [619550-1](#) [630059-000](#) [M39030/3-01N](#) [6769](#) [CX050L2AQ](#) [7002-1541-010](#) [7002-1542-011](#) [7002-1572-002](#) [7003-1542-011](#) [7004-1512-000](#) [7009-1511-004](#) [7010-1511-000](#) [7029-1511-060](#) [7101-1541-010](#) [7101-1571-002](#) [7145-1521-002](#) [7203-1571-003](#) [7209-1511-011](#) [7210-1511-015](#) [7210-1511-019](#) [73137-5015](#) [73216-2241](#) [73404-2300](#) [7405-1521-005](#) [7405-1521-802](#) [8527](#) [8547](#) [FS11V](#) [9049-9513-000](#) [9074-9513-000](#) [910A205F](#) [PL11SC-026](#) [PL375-33](#) [PL40-5](#) [PL74C-221](#) [PL75MC-217](#) [PL803-7](#) [980-8666-005](#) [1200690078](#) [1-201144-1](#) [R107003010W](#) [R110A172100](#) [R112186000](#) [R113053000W](#) [R113081000](#)