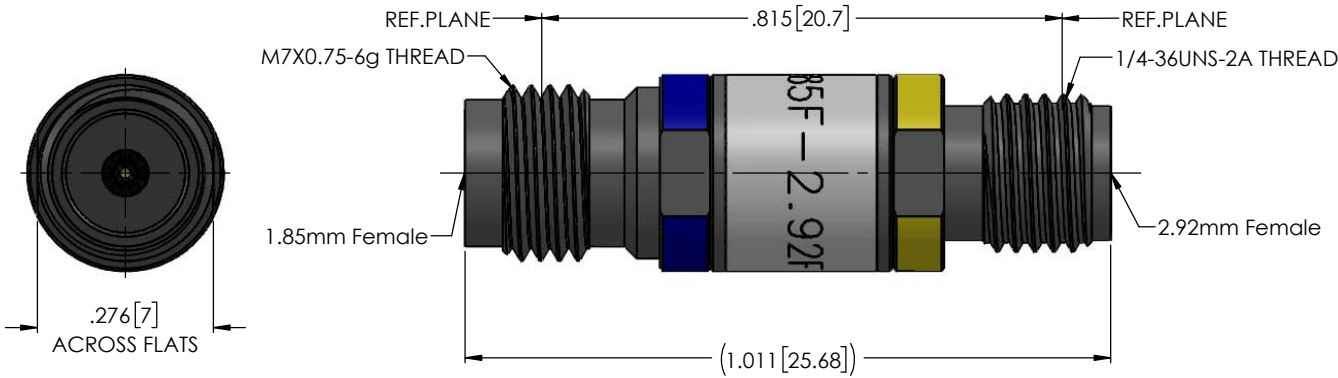


ALL DIMENSIONS IN BRACKETS ARE IN MM AND ARE FOR REFERENCE PURPOSE ONLY

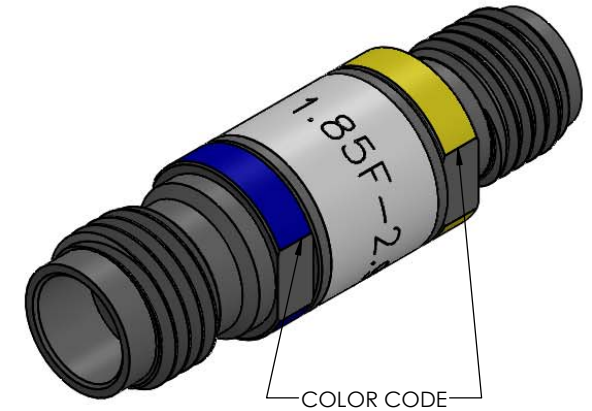
2228000K001-820-C



ELECTRICAL SPECIFICATIONS	
FREQUENCY RANGE	DC- 40GHz
VSWR	1.25 Max @ 40GHz
INSERTION LOSS	0.38dB Max@ 40GHz
WORKING VOLTAGE@SEA LEVEL	150 Vrms
DWV@SEA LEVEL	500 Vrms
INSULATION RESISTANCE	5000MΩ
MECHANICAL SPECIFICATIONS	
DURABILITY	500 CYCLES MIN
COUPLING NUT TORQUE - RECOMMENDED	7-10 IN.LBS [0.8 -1.1N.m]
CONTACT CAPTIVATION	≥4.5 LBS [20N]
ENVIRONMENTAL SPECIFICATIONS	
TEMP RANGE	-55° TO +125° C

NOTES:

- ASSEMBLED CONNECTOR INTERFACE IS DESIGNED IN ACCORDANCE WITH IEC 61169-32(1.85mm) & IEC 61169-35(2.92mm).



DESCRIPTION	MATERIAL	FINISH
INSULATOR - HIGH FREQUENCY	NORYL EN265, POLYPHENYLENE OXIDE (PPO), PER ASTM D-4349 PPE220B50541 F13 G1106	N/A
BUSHING - HIGH FREQUENCY	BRASS PER ASTM B16, C36000 ALLOY, TEMPER H02	GOLD PLATE PER ASTM B488
CONTACT - HIGH FREQUENCY	BERYLLIUM COPPER PER ASTM B196, C17300, TEMPER TD04	GOLD PLATE PER ASTM B488
BODY - HIGH FREQUENCY	CORROSION RESISTANT STEEL PER ASTM 582, S30300, COND. A	PASSIVATE PER SAE-AMS-2700

Table 1

PROPRIETARY AND CONFIDENTIAL
 THE INFORMATION CONTAINED IN THIS DRAWING IS THE SOLE PROPERTY OF DELTA ELECTRONICS (NANJING) CO.LTD. ANY REPRODUCTION IN PART OR AS A WHOLE WITHOUT THE WRITTEN PERMISSION OF DELTA ELECTRONICS (NANJING) CO.LTD. IS PROHIBITED.
 FILE NAME: 2228000K001-8201-C

UNLESS OTHERWISE SPECIFIED:
 DIMENSIONS ARE IN INCHES
 TOLERANCES:
 FRACTIONAL 1/64
 ANGULAR: MACH 1° BBND 1°
 TWO PLACE DECIMAL .01
 THREE PLACE DECIMAL .005
 MAX. CORNER BREAK = .005
 MAX. T.I.R. = .004
 SURFACE FINISH = A3 or BETTER
 ☉ DENOTES CRITICAL DIMENSION
 THIRD ANGLE PROJECTION
 MATERIAL: SEE TABLE
 FINISH: SEE TABLE
 SCALE:

	NAME	DATE
DRAWN	VINCENT	8/18/2020
CHECKED	JAMES	8/18/2020
ENG APPR.	JAMES	8/18/2020

COMMENTS:

DELTA MICROWAVE ELECTRONICS (NANJING) CO., LTD
 www.DeltaRF.com / Ph: 025-84195408/ Fax: 025-84195407
 TITLE:
 2.92mm FEMALE TO 1.85mm FEMALE STRAIGHT ADAPTER
 SIZE: **B** DWG. NO. 2228000K001-820-C REV -
 CODE ID-00795 WEIGHT: 5.91 g SHEET 1 OF 1

X-ON Electronics

Largest Supplier of Electrical and Electronic Components

Click to view similar products for [RF Adapters - Between Series category:](#)

Click to view products by [Delta manufacturer:](#)

Other Similar products are found below :

[5945-9503-000](#) [MCX/F-SMA/M](#) [R192417010](#) [ADBJ20-E1-BJ379](#) [ADM2](#) [ADPL75-A1-PL75](#) [242191](#) [9317505](#) [29-3835P](#) [AD130](#) [ADBJ20-E1-PL74](#) [ADBJ20-E2-BJ79](#) [ADBJ77-A1-PL375](#) [ADBJ77-E1-UPL20](#) [ADRMF370](#) [242228](#) [R125680000W](#) [R192430000](#) [UAD95](#) [1057367-1](#) [8311505](#) [R114704000](#) [R451034500](#) [R451030500](#) [R451543000](#) [HDVDPN](#) [ADBJ20-K1-PL20](#) [R451570000](#) [R451034000](#) [J9](#) [J3WE-5](#) [R451032500](#) [242201RP](#) [17K132-K00S5](#) [AD-RSMAF-RTNC](#) [53K156-K00N5](#) [02K119-K00E3](#) [29S132-K01N5](#) [53S156-K00N5](#) [02S119-S00E3](#) [28K132-K00N5](#) [02S109-K00S3](#) [27-8200TP](#) [242235](#) [ADBJ20-E1-BJ89](#) [AD-MQF-QCM-PM-2.5](#) [AD-QCF-QCF-SP-2.5](#) [AD-HQM-QCM-PM-2.5](#) [1116-6094](#) [1116-6095](#)