

automotive, off-road and battery powered vehicles

product reference catalogue 2007/8



deltadelta design

... advanced warning technology

Innovation and quality from Europe's Xenon and LED beacon and light bar specialist

Established in 1975, Delta Design developed the first low profile xenon beacon for the intruder market in 1978. Over subsequent years, consistent investment in research and development combined with expertise in circuit design and optics has led to a strong presence in vehicle, industrial, and materials handling markets worldwide.

A flow of innovative products and patents has helped to cement Delta Design's position as a major European manufacturer of xenon and LED beacons and light bars, and more than 300,000 products are manufactured annually in the company's facility in Kings Langley, UK.

Delta Design is pleased to present its current standard product range for all sectors of the vehicle market. Work is often undertaken in cooperation with original equipment manufacturers to design product for specialist applications. Please call our sales team if you cannot locate in this catalogue the exact product you require.

... simply brilliant



Tel: (U.K.) 01923 272850 (Int.) +44 1923 272850

Fax: (U.K.) 01923 260167 (Int.) +44 1923 260167

E-mail: sales@deltadesign.co.uk

Web: www.deltadesign.co.uk

Primrose Hill, Kings Langley, Herts WD4 8ST, England.

Delta Design is a division of NICOTECH Ltd
Registration No. 1759896 England.
Registered Office: St. Paul's Hall, Kings Langley, Hertfordshire WD4 8RE.
V.A.T. Registration No. 403 9119 74.



Contents

Compact Vehicle Beacons

Alpha Star	2
Beta Star	3
Delta Star	4
Gamma Star	5
Durastrobe	5

Mid Size Vehicle Beacons

Zeta Star	6
Lunar Star	7

Large Vehicle Beacons

Solar Star	8
Turbo Star	9

Directional Vehicle Beacons

Microstrobe VQ	10
LP Synchronous	11
VigiLED	12
SecuriLED	13
Rearguard LED	14
Rearguard Xenon	14

Materials Handling Beacons

Orion	15
Husky Pup	16
Pup2	17
Husky	18
Hedgehog LED	19
Hedgehog Xenon	19

Mini Light Bars

Pulsar ECE	20
Pulsar Economy	21

Xenergy Bars

Xenergy Range	22
Xenergy 610	23
Xenergy 860	24
Xenergy 1110	25
Xenergy 1360	26
Xenergy 1610	27
Xenergy Siren Bar 500mm	28
Xenergy Siren Bars 1000mm	29
Xenergy Siren Bars 1400mm	29
Xenergy Siren Bars 1500mm	29

Delta Bars

Delta Bar Range	30
Econostrobe C	31
Econostrobe R	32
Maxisafe	32
Xenon Flexibar	33
LED	34
LED + Illumination	35
Maxi-LED	36
Maxi-LED + Illumination	37
LED Flexibar	38

Hi-Wave Bars

Hi-Wave Delta and Hi-Wave Xenergy	39
---	----

Accessories

.....	40
-------	----

Spares

.....	41
-------	----













TYRI Work Lights

.....	42
-------	----

How to find us

.....	44
-------	----

Key to symbols used throughout this catalogue:

 Brightness: cd = effective candela in accordance with the Blondel & Rey formula	 Single flash	 Quad flash	 Voltage range
 Flash rate	 Double flash	 Current consumption	 Siren output
 Ingress protection rating	 Triple flash	 Current consumption at given voltage (<i>n</i>)	 Weight

Alpha Star RB4XDV/2



Certified to EMC directive 95/54.
 CE – complies with EMC Directive 89/336/EEC.
 High voltage transient and polarity reversal protection fitted.
 Operating temperature: -20° to +55°C.



10cd (amber)	75/min	single flash	145mA	110mA	IP65	0.27kg

Features:

A low cost 2W Xenon beacon with four mounting options.

- Dual voltage 12/24V (10 – 30Vdc)
- Bright, intense Xenon flash
- No moving parts – maintenance free
- Very low power consumption
- 3,000 hours tube life
- 12 months' guarantee

Applications:

Off-road use

Materials:

Polycarbonate lens, ABS base

Lens Colour	Three Bolt	Magnetic	Single Bolt	Pole Mount
Amber	420012	420042	420022	420002
Blue	420014	420044	420024	420004
Red	420013	420043	420023	420003
Clear	420011	420041	420021	420001
Green	420015	420045	420025	420005
<p>Drilling for Panel Mounting (ISO 4148)</p> <p>4 holes 7mm dia.</p> <p>120°</p> <p>120°</p> <p>Cable entry</p> <p>130 mm dia.</p>				
<p>148 mm</p> <p>120 mm</p>				

Beta Star RB4XDV/6



50cd (amber)	75/min	single flash	600mA	300mA	IP65	0.27kg

Features:

A low cost high brightness 6W general purpose Xenon beacon.

- Dual voltage 12/24V (10 – 32Vdc)
- Bright, intense Xenon flash
- No moving parts – maintenance free
- Very low power consumption
- 3,000 hours tube life
- 12 months' guarantee

Applications:

Wide range of vehicle applications including fleet, utilities, road maintenance, agriculture and construction plant.

Materials:

Polycarbonate lens, ABS base

Certified to EMC directive 95/54.
 CE – complies with EMC Directive 89/336/EEC.
 High voltage transient and polarity reversal protection fitted.
 Operating temperature: –20° to +55°C.



Lens Colour	Three Bolt	Magnetic	Single Bolt	Pole Mount
Amber	468012	468022	468082	468002
Blue	468014	-	-	468004
Red	468013	-	-	468003
Clear	468011	-	-	468001
Green	468015	468025	-	468005
Drilling for Panel Mounting (ISO 4148) 				

Delta Star^{RB2XDV/15}



60cd (amber)	125/min	single flash	1.5A	750mA	IP65	0.27kg

Features:

A very bright 15W Xenon beacon with a 125/min flash rate.

- Dual voltage 12/24V (10 – 30Vdc)
- Bright, intense Xenon flash
- No moving parts – maintenance free
- Low power consumption
- Compact design
- 3,000 hours tube life
- 12 months' guarantee

Applications:

Cars, vans, light trucks and large vehicles.

Materials:

Polycarbonate lens, ABS base.

Certified to EMC directive 95/54.

CE - Complies with EMC Directive 89/336/EEC.

High voltage transient and polarity reversal protection fitted.

Operating temperature: -20°C to +50°C.



Lens Colour	Three Bolt	Magnetic	Single Bolt	Pole Mount
Amber	470002	470017	470012	470032
Blue	470004	470019	470014	470034
Red	470003	470018	470013	470033
Clear	470001	470016	470011	470031
Green	470005	470020	470015	470035
Drilling for Panel Mounting (ISO 4148) 				

Gamma Star RC4XDV/6



Features:

A 6W Xenon beacon with flexible single bolt base.

- Dual voltage 12/24V (10 – 32Vdc)
- Vibration protected circuit and impact resistant lens
- Flexible EVA single bolt mounting base
- Very low power consumption
- Long life
- Maintenance free
- 12 months' guarantee

Applications:

Applications include fleet, road maintenance, agriculture, construction plant, utilities, large vehicles and refuse trucks.

Lens Colour	Single Bolt
Amber	468092

Materials:

Polycarbonate lens, ABS base, EVA flexible mounting base.

Durastrobe RD4XDV/5A



Features:

A 5W Xenon beacon with flexible pole mount base.

- Dual voltage 12/24V (10 – 32Vdc)
- Vibration protected circuit and impact resistant lens
- Flexible EVA pole mounting base to DIN 14 620
- Very low power consumption
- Long life
- Maintenance free
- 12 months' guarantee

Applications:

Applications include construction plant, contracting and agricultural vehicles.

See page 40 for accessories.

Lens Colour	Pole Mount
Amber	466002

Certified to EMC directive 95/54.

CE – complies with EMC Directive 89/336/EEC.

High voltage transient and polarity reversal protection fitted.

Operating temperature: -20° to +55°C.



Gamma Star	60cd (amber)	75/min	single flash	356mA	280mA	IP55	0.325kg
Durastrobe	50cd (amber)	75/min	single flash	340mA	186mA	IP65	0.325kg

Zeta Star ZB2SXDV/10



> 60cd (amber)	120/min	single flash	1.2A	0.7A	IP65	0.37kg

Features:

A low cost 10W Xenon beacon.

- Dual voltage 12/24V (10 – 30Vdc)
- Bright, intense Xenon flash
- No moving parts – maintenance free
- Low power consumption
- 3,000 hours tube life
- 12 months' guarantee

Applications:

Suitable for all vehicles including large vehicles, refuse trucks, recovery, fleets, highway maintenance and emergency services.

Materials:

Polycarbonate lens and base.

Certified to EMC directive 95/54.

High voltage transient and polarity reversal protection fitted.

Operating temperature: –30°C to +55°C (–30°C lower limit subject to intermittent and non-continuous use at temperatures below –20°C).

Lens Colour	Three Bolt	Magnetic	Single Bolt	Pole Mount	Flexi Pole
Amber	493052	493072	493062	493082	493092
Red	493053	–	–	–	–
Blue	493054	–	–	–	–
Green	493055	–	–	–	–
Drilling for Panel Mounting (ISO 4148 / DIN 14620) 					

See page 40 for accessories.

Lunar Star LB2DXDV/15

ECE R65 Approved



>100cd (amber) >42cd (blue)	120/min	double flash	1.5A	0.7A	IP65	0.37kg

Features:

A high powered 15W Xenon beacon.

- Dual voltage 12/24V (10 – 30Vdc)
- Bright, intense Xenon flash
- No moving parts – maintenance free
- Low power consumption
- 3,000 hours tube life
- 12 months' guarantee
- Up to 4 beacons can be synchronised

Applications:

Suitable for all vehicles including large vehicles, refuse trucks, recovery, fleets, highway maintenance and emergency services.

Materials:

Polycarbonate lens and base.

Certified to EMC directive 95/54.

Certified to ECE R65.

High voltage transient and polarity reversal protection fitted.

Operating temperature: -30°C to +55°C (-30°C lower limit subject to intermittent and non-continuous use at temperatures below -20°C).

Lens Colour	Three Bolt	Magnetic	Single Bolt	Pole Mount	Flexi Pole
Amber	493002	493022	493012	493032	493042
Blue	493004	493024	493014	493034	493044
<p>Drilling for Panel Mounting (ISO 4148 / DIN 14620)</p> <p>4 holes 7mm dia.</p> <p>120°</p> <p>120°</p> <p>Cable entry</p> <p>130 mm dia.</p>					
	<p>145mm</p> <p>150mm</p>				

Solar Star SCU2DXDV/15

ECE R65 Approved



>100cd (amber) >42cd (blue)	120/min	double flash	1.25A	600mA	IP65	0.45kg

Features:

A high powered Xenon beacon with high performance optics.

- Automatically adjusts to both 12V and 24V (11.5 – 30Vdc)
- Homologated to ECE R65
- Up to 4 beacons can be synchronised
- 3,000 hours tube life
- 12 months' guarantee

Applications:

Suitable for all vehicles including large vehicles, refuse trucks, recovery, fleets, highway maintenance and emergency services.

Materials:

Polycarbonate lens, ABS base.

Certified to EMC directive 95/54.

CE – complies with EMC Directive 89/336/EEC.

Certified to ECE R65.

High voltage transient and polarity reversal protection fitted.

Operating temperature: -30°C to +55°C (-30°C lower limit subject to intermittent and non-continuous use at temperatures below -20°C).



Lens Colour	Three Bolt	Magnetic	Pole Mount
Amber	470090	470092	470094
Blue	470091	470093	470095
Drilling for Panel Mounting (ISO 4148 / DIN 14620) 			

Non ECE R65 Approved Version	Clear Lens
SCB2DXDV/15	470075

Turbo Star ELU2DXDV/15

ECE R65 Approved



>100cd (amber) >42cd (blue)	120/min	double flash	1.25A	600mA	IP65	0.45kg

Features:

A high powered Xenon beacon with an inner fresnel lens and a smooth easy-clean outer lens.

- Automatically adjusts to both 12V and 24V (11.5 – 30Vdc)
- Homologated to ECE R65
- Up to 4 beacons can be synchronised
- 3,000 hours tube life
- 12 months' guarantee

Applications:

Suitable for all vehicles including large vehicles, refuse trucks, recovery, fleets, highway maintenance and emergency services.

Materials:

Polycarbonate lens, ABS base.

Certified to EMC directive 95/54.

CE – complies with EMC Directive 89/336/EEC.

Certified to ECE R65.

High voltage transient and polarity reversal protection fitted.

Operating temperature: -30°C to +55°C (-30°C lower limit subject to intermittent and non-continuous use at temperatures below -20°C).



Lens Colour	Three Bolt	Magnetic	Pole Mount
Amber	470042	470045	470047
Blue	470044	470046	470048
Drilling for Panel Mounting (ISO 4148 / DIN 14620) 			

Non ECE R65 Approved Versions	Red Lens	Clear Lens	Green Lens
ELB2DXDV/15	470053	470051	470055

Microstrobe VQ XP4XMV/1-VQ



Certified to EMC directive 95/54.

CE – complies with EMC Directive 89/336/EEC and Low Voltage Directive 73/23/EEC.

High voltage transient and polarity reversal protection fitted.

Operating temperature: -20°C to +50°C.



12cd (amber)	75/min	single flash	190mA	105mA	IP67 (lens)	50gms

Features:

A compact and reliable high intensity Xenon warning light. Its small size makes it easy to install.

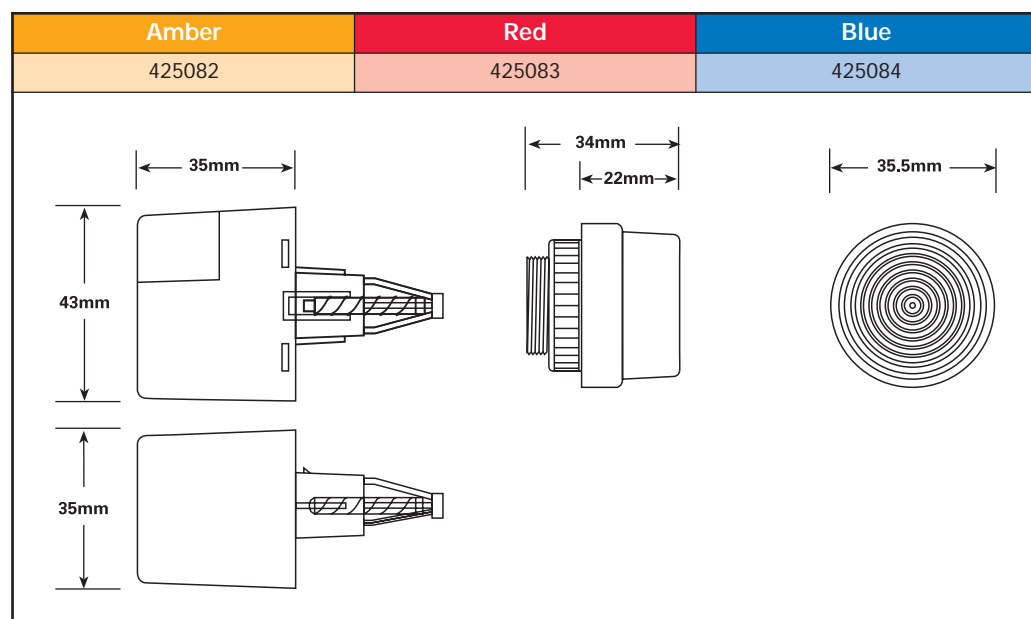
- Multivoltage 10V – 100Vdc
- Compact one piece housing
- Simple to install in 22mm drilled hole plus keyway
- IP67 lens assembly when installed
- 12 months' guarantee

Applications:

Suitable for use in a wide variety of vehicle applications including high level hazard warning for trucks and trailers, in-cab warning light for auxiliary equipment, temperature control indicator for refrigerated vehicles, vehicle reversing systems and as a vehicle security alarm indicator.

Materials:

Polycarbonate lens unit, ABS back box.



LP Synchronous Flash LP4XDV/2 SYNC (2watt) and LP4XDV/5 SYNC (5watt)



see table	75/min	single flash	2W: 192mA 5W: 333mA	2W: 96mA 5W: 220mA	IP67	100gms

Features:

A compact directional Xenon beacon with synchronous flash capability.

- Dual voltage 12/24V (10 – 30Vdc)
- Synchronous flash capability
- Vibration protected circuit
- 2W and 5W versions available
- 12 months' guarantee

Applications:

Suitable for many vehicle applications including fleet, cars, delivery, refuse trucks, large vehicles, road maintenance, recovery, utilities, road safety, plant and contracting.

Materials:

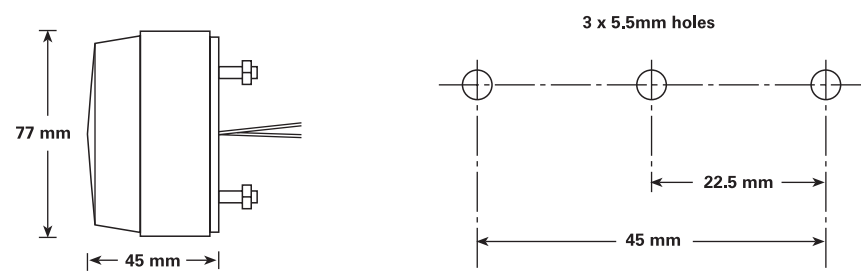
Polycarbonate lens, high impact polystyrene base.

Certified to EMC directive 95/54.

High voltage transient and polarity reversal protection fitted.

Operating temperature: -20°C to +55°C.

Lens Colour	Power	Light Output	Part Number
Clear	2W	50cd	442001
	5W	85cd	439001
Amber	2W	25cd	442002
	5W	45cd	439002
Red	2W	11cd	442003
	5W	19cd	439003
Blue	2W	10cd	442004
	5W	18cd	439004
Green	2W	10cd	442005
	5W	18cd	439005



See page 40 for accessories.

VigiLED DR4TXDV/LED



Certified to EMC directive 95/54.

CE – complies with EMC directive 89/336/EEC.



High voltage transient and polarity reversal protection fitted.

Operating temperature: -30°C to +55°C (-30°C lower limit subject to intermittent and non-continuous use at temperatures below -20°C).

> 80cd (amber) > 80cd (red) > 76cd (blue) > 80cd (white)	75/min	triple flash	120mA	65mA	IP67	170gms

Features:

Surface mount or bracket mount triple flash LED directional.

- Dual voltage 12/24V (10 – 30Vdc)
- High brightness 100,000 hour rated LEDs
- Multiple beacons may be connected together to provide synchronous or alternate flash patterns
- Clear lens with coloured LEDs
- Ultra low power consumption
- Integral electronics – no need for separate power supply or control unit
- IP67 rated
- 3 year guarantee

Applications:

Suitable for many vehicle applications including fleet, cars, delivery, refuse trucks, large vehicles, road maintenance, recovery, utilities and road safety.

Materials:

Polycarbonate lens and base.

Amber	Red	Blue	White
497022	497023	497024	497021

SecuriLED_{SS20XDV/LED} Surface Mount



SecuriLED_{SB20XDV/LED} Bracket Mount



>200cd (amber) >200cd (red) >100cd (blue) >200cd (white)	120/min	quad flash	400mA (1.5A Peak)	200mA (750mA Peak)	IP67	370gms

Features:

Surface mount or bracket mount quad flash LED directional.

- Intensely bright 3rd generation LEDs
- Dual voltage 12/24V (10 – 30Vdc)
- Multiple beacons may be connected together to provide synchronous or alternate flash patterns
- Bracket mount version adjusts horizontally and vertically
- Ultra low power consumption
- Integral electronics – no need for separate power pack or control unit
- IP67 rated
- 3 year guarantee

Certified to EMC directive 95/54.

CE – complies with EMC Directive 89/336/EEC.

Certified to ECE R65 (amber and blue).

Certified to PITO ACS 5.

High voltage transient and polarity reversal protection fitted.

Operating temperature: –30°C to +55°C (–30°C lower limit subject to intermittent and non-continuous use at temperatures below –20°C).

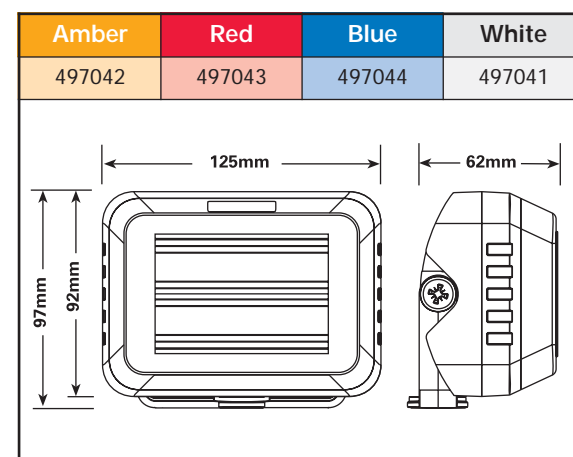
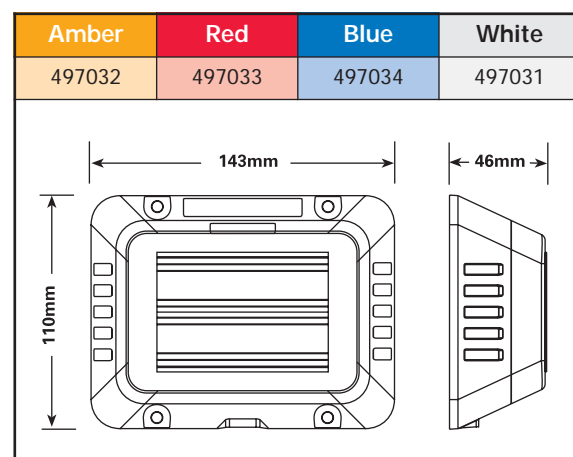


Applications:

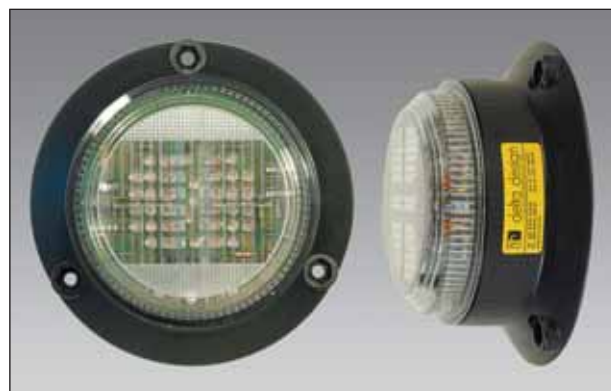
Suitable for many vehicle applications including fleet, cars, delivery, refuse trucks, large vehicles, road maintenance, recovery, utilities and road safety.

Materials:

Polycarbonate lens, Aluminium base coated black.



Rearguard LED



Certified to EMC directive 95/54.
 CE – complies with EMC Directive 89/336/EEC.
 High voltage transient and polarity reversal protection fitted.
 Operating temperature: -20°C to +55°C.



Amber
497001

>80cd	75/min	triple flash	145mA	120mA	IP65	240gms

Features:

Low profile directional LED beacon.

- Dual voltage 12/24V (10 – 30Vdc)
- High intensity directional hazard warning
- Up to 8 beacons may be connected to flash synchronously or alternately
- Clear lens with amber LEDs
- 12 months' guarantee

Applications:

Suitable for many vehicle applications including utility, refuse trucks, street cleaners, delivery, recovery and large vehicles.

Materials:

Polycarbonate lens, ABS base.

Rearguard Xenon SQ4XDV/5 RG



Certified to EMC directive 95/54.
 CE – complies with EMC Directive 89/336/EEC.
 High voltage transient and polarity reversal protection fitted.
 Operating temperature: -20°C to +55°C.



Amber	Blue	Red	Clear	Green
426002	426004	426003	426001	426005

>70cd (amber)	75/min	single flash	380mA	180mA	IP65	242gms

Features:

Low profile directional Xenon beacon.

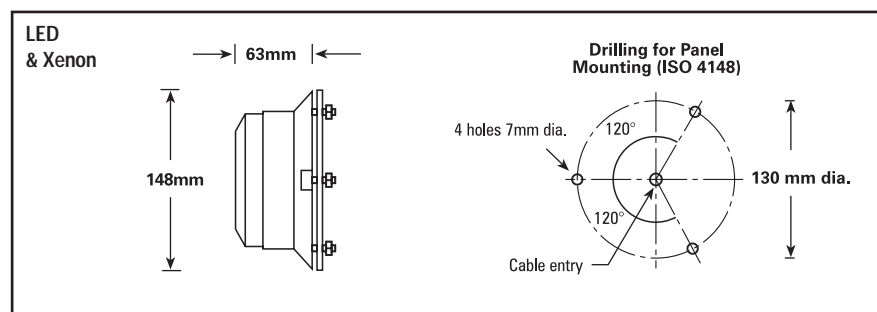
- Dual voltage 12/24V (10 – 30Vdc)
- High intensity hazard warning light
- Directional – all light transmitted in chosen direction
- Up to 8 beacons may be connected to flash synchronously or alternately
- 12 months' guarantee

Applications:

Suitable for many vehicle applications including utility, refuse trucks, street cleaners, drain cleaners, agricultural, delivery, recovery and emergency services.

Materials:

Polycarbonate lens, ABS base.



Orion 3XMV/LED

Patent Pending / Registered Community Design / US Design Patent



CE – certified to EMC directive 2004/108/EC.

Complies with low voltage directive 73/23/EEC.

High voltage transient and polarity reversal protected.

Operating temperature: -20°C to + 50°C.

Beacon should be operated in a vertical position with lens uppermost.



15cd	65 flashes/min 6 bursts/flash	10–100Vdc	350mA	60mA	IP65	0.31kg

Features:

A bright, multivoltage, amber LED beacon with low power consumption.

- Multivoltage 10 – 100 Vdc
- Clear lens with amber coloured LEDs
- Bright, intense '6 burst' LED flash
- Low power consumption
- 3 year guarantee
- Weatherproof to IP65

Product options:

- European 130mm PCD hole pattern to ISO 4148
- US 118mm (4 5/8") PCD hole pattern
- Sounder plinth, fixes to base of beacon



FX29 Sounder Plinth
Part No. 521047

Applications:

Suitable for fork lift trucks and battery powered vehicles.

Materials:

Polycarbonate lens, EVA/PVC base.
Product is ROHS compliant.

Amber	498001	498010
	Europe	USA
	<p>Drilling for Panel Mounting (ISO 4148)</p> <p>4 holes 7mm dia.</p> <p>Cable entry</p> <p>← 130 mm dia. →</p>	<p>Drilling for Panel Mounting (USA Hole Pattern)</p> <p>4 holes 6mm (0.236ins) dia.</p> <p>Cable entry</p> <p>← 118 mm dia. →</p>

See page 40 for accessories.

Husky Pup^{RB4XMV/2P}



CE – certified to EMC directive 89/336/EEC.
 Complies with low voltage directive 73/23/EEC.
 High voltage transient and polarity reversal protected.
 Operating temperature: -20°C to + 55°C.
 Beacon should be operated in a vertical position with lens uppermost.



18cd (light amber)	75 flashes/min	10–100Vdc 20–72Vac	145mA	40mA	IP65	0.4kg

Features:

A bright, multivoltage 2W Xenon beacon.

- Multivoltage 10 – 100 Vdc, 20 – 72 Vac
- Bright, intense Xenon flash
- Ultra-low power consumption
- 3,000+ hours tube life, 12 months' guarantee
- Weatherproof to IP65

Product options:

- European 130mm PCD hole pattern to ISO 4148
- US 118mm (4 5/8") PCD hole pattern
- Sounder plinth, fixes to base of beacon



FX29 Sounder Plinth
Part No. 521047

Applications:

Suitable for fork lift trucks and battery powered vehicles.

Materials:

Polycarbonate lens, ABS base.

Lens Colour	Three Bolt Europe	Three Bolt USA	Magnetic	Pole Mount
Amber	469040	469062	469086	469082
Red	469041	469063	–	–
Blue	469042	–	–	–
Clear	469039	–	–	–
Green	469043	–	–	–
	<p>Drilling for Panel Mounting (ISO 4148)</p> <p>4 holes 7mm dia.</p> <p>130 mm dia.</p>	<p>Drilling for Panel Mounting (USA Hole Pattern)</p> <p>4 holes 6mm (0.236ins) dia.</p> <p>118 mm dia.</p>		

See page 40 for accessories.

Pup2 PU4XMV/2P



>18cd	75 flashes/min	10–100Vdc 20–72Vac	145mA	40mA	IP65	0.244kg

Features:

A bright, multivoltage 2W Xenon beacon.

- Multivoltage 10 – 100 Vdc, 20 – 72 Vac
- Bright, intense Xenon flash
- Ultra-low power consumption
- 3,000+ hours tube life, 12 months' guarantee
- Weatherproof to IP65

Product options:

- Sounder plinth, fixes to base of beacon



FX29 Sounder Plinth
Part No. 521047

Applications:

Suitable for fork lift trucks and battery powered vehicles.

Materials:

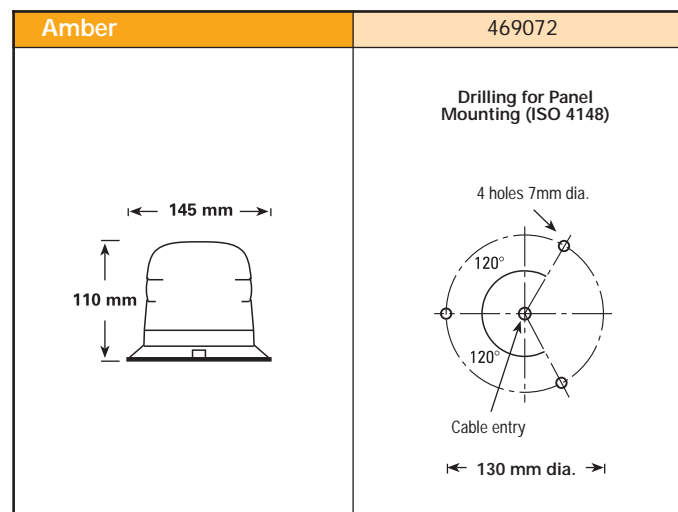
Polycarbonate lens, EVA/PVC base.

CE – certified to EMC directive 89/336/EEC.
Complies with low voltage directive 73/23/EEC.
UL listed – file AU 3700.



High voltage transient and polarity reversal protected.
Operating temperature: –20°C to + 55°C.

Beacon should be operated in a vertical position with lens uppermost.



Husky RB4XMV/5



CE – certified to EMC directive 89/336/EEC.
 Complies with low voltage directive 73/23/EEC.
 High voltage transient and polarity reversal protected.
 Operating temperature: -20°C to + 55°C.
 Beacon should be operated in a vertical position with lens uppermost.



44cd (amber)	75 flashes/min	10–100Vdc 30–60Vac	360mA	60mA	IP65	0.4kg

Features:

A bright, multivoltage 5W Xenon beacon.

- Multivoltage 10 – 100 Vdc, 30 – 60 Vac
- Bright, intense Xenon flash
- Low power consumption
- 3,000+ hours tube life, 12 months' guarantee
- Replaceable Xenon tube
- Weatherproof to IP65

Product options:

- Sounder plinth, fixes to base of beacon



FX29 Sounder Plinth
Part No. 521047

Applications:

Suitable for fork lift trucks and battery powered vehicles.

Materials:

Polycarbonate lens, ABS base.

Amber	469012
Red	469013
Blue	469004
Clear	469011
Green	469005
<div style="display: flex; justify-content: space-around;"> <div style="text-align: center;"> <p>148 mm</p> <p>120 mm</p> </div> <div style="text-align: center;"> <p>Drilling for Panel Mounting (ISO 4148)</p> <p>4 holes 7mm dia.</p> <p>120°</p> <p>120°</p> <p>Cable entry</p> <p>130 mm dia.</p> </div> </div>	

See page 40 for accessories.

Hedgehog LED SQ1XMV/LED 360/24 and SQ1X12/LED 360/24



SQ1XMV/LED 360/24	60 flashes/min	20–100Vdc	24mA	IP65	0.3kg
SQ1X12/LED 360/24	60 flashes/min	10–15Vdc	48mA	IP65	0.3kg

Features:

A bright low profile LED beacon.

- High intensity flash
- Ultra-low power consumption
- 3 year guarantee
- Weatherproof to IP65
- Can be installed lens upwards or inverted

Product options:

- Multivoltage 20 – 100 Vdc or 10 – 15 Vdc version
- Sounder plinth, fixes to base of beacon (see Husky product options)

Lens Colour	20 – 100 Vdc	10 – 15 Vdc
Amber	424001	424011

Hedgehog Xenon SQ4XMV/2 360



75 flashes/min	10–100Vdc 20–72Vac	145mA	40mA	IP65	0.3kg

Features:

A bright, multivoltage low profile 2W Xenon beacon.

- Multivoltage 10 – 100 Vdc, 20 – 72 Vac
- Bright, intense Xenon flash
- Ultra-low power consumption
- 12 months' guarantee
- Weatherproof to IP65
- Can be installed lens upwards or inverted

Product options:

- Sounder plinth, fixes to base of beacon (see Husky product options)

Amber	Red
424095	424096

Information common to both Hedgehog LED and Hedgehog Xenon beacons

CE – certified to EMC directive 89/336/EEC.

Complies with low voltage directive 73/23/EEC.

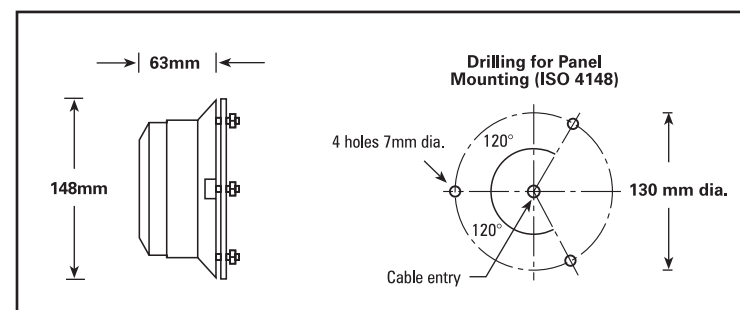
Operating temperature: –20°C to + 55°C (max 40°C above 80V).



Applications:

Suitable for fork lift trucks, industrial sweepers and battery powered vehicles.

Materials: Polycarbonate lens, ABS base.



See page 40 for accessories.

Pulsar ECE

ECE R65 Approved



>100cd (amber) >42cd (blue)	120/min	double flash	3A	1.6A	IP54	1.41kg (fixed) 2.15kg (mag)

Features:

ECE R65 certified mini light bar with 2 synchronised strobes.

- Dual voltage 12/24V (10.5 – 30Vdc)
- Magnetic mount version available
- 3,000 hours tube life
- 12 months' guarantee

Applications:

Suitable for many vehicle applications including fleet, road maintenance, cars, large vehicles, refuse trucks, road safety and emergency services.

Materials:

Polycarbonate base and cover.

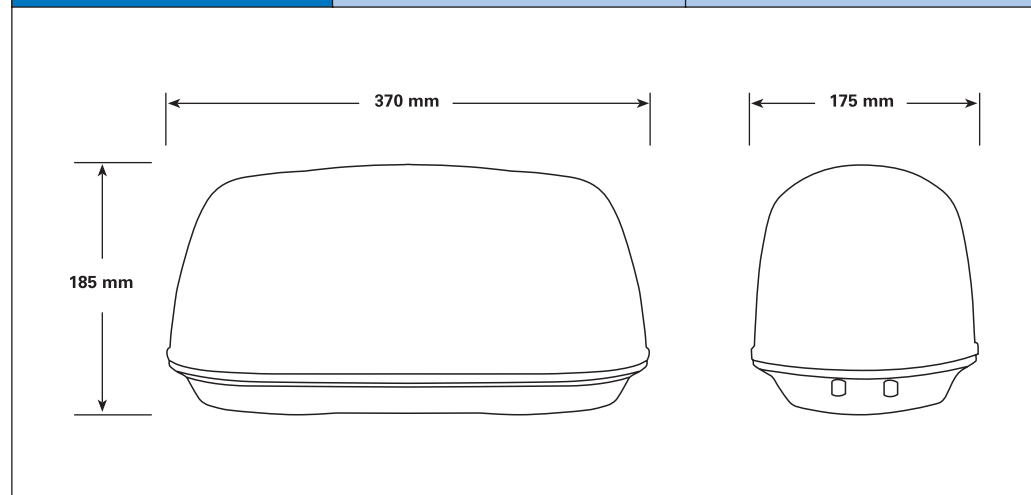
Certified to EMC directive 95/54.

Certified to ECE R65.

High voltage transient and polarity reversal protection fitted.

Operating temperature: -20° to +55°C.

Lens Colour	Fixed	Magnetic
Amber	483002	483012
Blue	483004	483014



Pulsar Economy



>50cd (amber) >21cd (blue)	75/min	single flash alternate	1.1A	760mA	IP54	1.16kg (fixed) 1.9kg (mag)

Features:

Low cost mini light bar with 2 alternating strobes.

- Dual voltage 12/24V (10.5 – 30Vdc)
- Magnetic mount version available
- 3,000 hours tube life
- 12 months' guarantee

Applications:

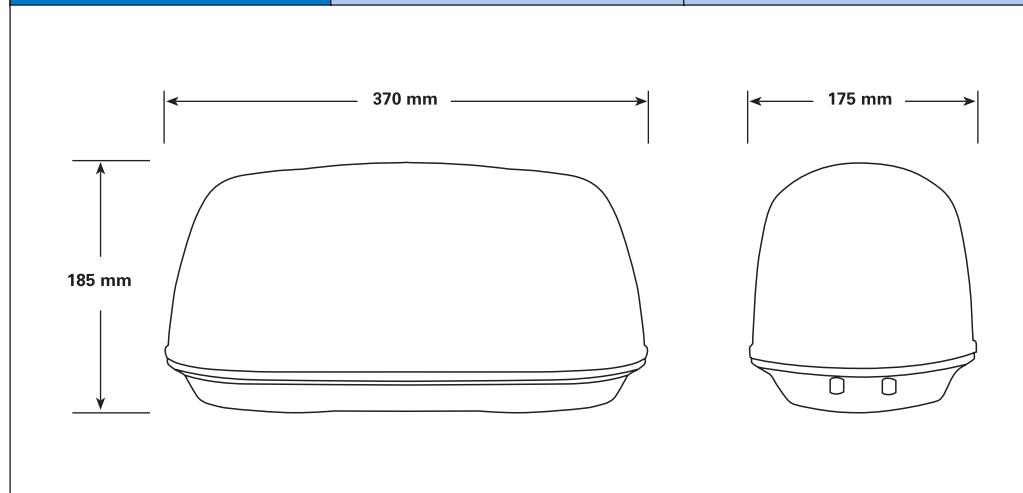
Suitable for many vehicle applications including fleet, road maintenance, cars, large vehicles, refuse trucks, road safety and emergency services.

Materials:

Polycarbonate base and cover.

Certified to EMC directive 95/54.
High voltage transient and polarity reversal protection fitted.
Operating temperature: -20° to +55°C.

Lens Colour	Fixed	Magnetic
Amber	483022	483032
Blue	483024	483034



Xenergy Range

ECE R65 Approved



Features:

An extensive range of high quality competitively priced light bars for amber and blue markets.

- Dual voltage 12/24V
- Double flash end strobes
- Five lengths available: 610, 860, 1110, 1360 and 1610mm
- Clear cover versions available in each length
- Long life Xenon flash tubes
- Low power consumption
- 12 months' guarantee

Options:

- Centre Illumination / Lettering service
- LED directional strobes
- LED stop/tail/indicator light clusters
- Work lights
- Alley lights
- Easily installed and removed magnetic mount option for a range of 610 and 860mm bars. Tested by TÜV, the German automotive test house, to 200km/hr.

Applications:

Suitable for all sectors of the commercial vehicle market and emergency services.

Materials:

Polycarbonate lens covers, aluminium base extrusion.

End strobes	>100cd (amber) >42cd (blue)	120/min	double flash synchronous	IP65
Directional front/rear strobes	>400cd	65/min (nominal)	random	

Certified to EMC directive 95/54.

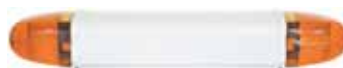
Certified to ECE R65.

High voltage transient and polarity reversal protection fitted.

Operating temperature: -30°C to +55°C (-30°C lower limit subject to intermittent and non-continuous use at temperatures below -20°C).



<- 610mm ->



<- 860mm ->



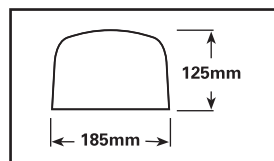
<- 1110mm ->



<- 1360mm ->



<- 1610mm ->



Key to Model Numbers:
2 X A I. 1360

↑ ↑ ↑ ↑ ↑
 ↑ Length (mm)
 Centre Illumination Panel
 1 = 250mm illumination panel
 2I = 500mm illumination panel
 3I = 750mm illumination panel

Main Lens Colour
 A = Amber, B = Blue,
 C = Precedes lens colour if clear cover.

Xenergy

Strobes
 2 = 2 end strobes
 For numbers above 2 add directional strobes, e.g. 4 means two end strobes and two directional strobes.

Other letters denote:
 R = Bar designed for recovery market
 L = LED stop/tail/indicator light cluster
 W = Work light
 MAG = Magnetic mount kit
 V/LED F&R = LED directional front and rear

Xenergy 610



Product	12V	24V	Dual 12/24V	<i>i</i> 12V	<i>i</i> 24V	
2XA.610	-	-	490001	3A	1.42A	
2XB.610	-	-	490002			
2XAi.610	490003	490007	-	3.83A	1.83A	
2XB.610	490004	490008	-			
2XCA.610	-	-	490005	3A	1.42A	
2XCB.610	-	-	490006			
3XA.610	-	-	490009	3.4A	1.7A	
3XB.610	-	-	489999			
2XA.610 2 V/LED F&R	-	-	491050	3.5A	1.7A	
2XA.610 MAG	-	-	491001	3A	1.42A	
2XB.610 MAG	-	-	491002			
2XAi.610 MAG	491003	491007	-	3.83A	1.83A	
2XB.610 MAG	491004	491008	-			
2XCB.610 MAG	-	-	491006	3A	1.42A	
2XA.610 2 V/LED F&R MAG	-	-	491051	3.5A	1.7A	

Xenergy 860



Product	12V	24V	Dual 12/24V	<i>i</i> 12V	<i>i</i> 24V	
2XA.860	-	-	490011	3A	1.42A	
2XB.860	-	-	490012			
2XA21.860	490013	490017	-	4.67A	2.25A	
2XB21.860	490014	490018	-			
2XCA.860	-	-	490015	3A	1.42A	
2XCB.860	-	-	490016			
4XA.860	-	-	489902	4A	2A	
2XA.860 2 V/LED F&R	-	-	491055	3.5A	1.7A	
2XA.860 MAG	-	-	491011	3A	1.42A	
2XB.860 MAG	-	-	491012			
2XA21.860 MAG	491013	491017	-	3.83A	1.83A	
2XB21.860 MAG	491014	491018	-			
2XCB.860 MAG	-	-	491016	3A	1.42A	
4XA.860 MAG	-	-	491019	4A	2A	

Xenergy 1110



Product	12V	24V	Dual 12/24V	<i>i</i> 12V	<i>i</i> 24V	
2XA.1110	-	-	490026	3A	1.42A	
2XB.1110	-	-	490036			
2XA1.1110	490020	490030	-	3.83A	1.83A	
2XB1.1110	490021	490031				
4XA.1110	-	-	490027	4.15A	2.03A	
4XB.1110			490029			
4XA1.1110	490022	490032	-	4.98A	2.45A	
4XB1.1110	490023	490033				
4XCA.1110	-	-	490024	4.15A	2.03A	
4XCB.1110			490025			
2XA31.1110	490028	490038	-	5.2A	2.6A	
2XB31.1110	490034	490037				
5XA.1110	-	-	490035	4.6A	2.3A	
5XB.1110	-	-	489903			
4XRL.1110	490081	490087	-	6A	3A	
4XRW.1110	490085	-	-	11A	-	
2XA.1110 4 V/LED F&R	-	-	491060	4A	2A	

Xenergy 1360



Product	12V	24V	Dual 12/24V	<i>i</i> 12V	<i>i</i> 24V	
2XA.1360	-	-	490047	3A	1.42A	
2XB.1360	-	-	490057			
2XA2I.1360	490041	490051	-	4.67A	2.25A	
2XB2I.1360	490042	490052				
4XA.1360	-	-	490043	4.15A	2.03A	
4XB.1360	-	-	490044			
6XA.1360	-	-	489904	5.2A	2.6A	
4XCA.1360	-	-	490045	4.15A	2.03A	
4XCB.1360	-	-	490046			
2XA4I.1360	490050	490053	-	6A	3A	
2XB4I.1360	-	490055	-			
4XA2I.1360	490049	490054	-	5.6A	2.8A	
4XB2I.1360	490048	-	-			
6XCB.1360	-	-	490093	5.2A	2.6A	
4XRL.1360	490082	490088	-	6A	4A	
4XRW.1360	-	490086	-	-	7A	

Xenergy 1610



Product	12V	24V	Dual 12/24V	<i>i</i> 12V	<i>i</i> 24V	
2XA3I.1610	490061	490071	-	5.5A	2.67A	
2XB3I.1610	490062	490072	-			
4XA1.1610	490063	490073	-	4.89A	2.45A	
4XB1.1610	490064	490074	-			
4XA.1610	-	-	489905	4A	2A	
4XCA.1610	-	-	490065	4.15A	2.03A	
4XCB.1610	-	-	490066			
4XA3I.1610	-	490075	-	-	3.2A	
8XA1.1610	-	-	490067	5.4A	3.1A	
4XL4V.1610	-	490078	-	-	8.5A	
4XRLW.1610	490083	490089	-	12A	6A	
4XRL.1610	-	490090	-	-	4A	
4XRL3I.1610	-	490091	-	-	4A	

500mm Xenergy Siren Bar

ECE R65 Approved



>100cd (amber) >42cd (blue)	120/min	double flash	4.5A (max)	IP65	40W 100dB

Features:

Dual-tone siren bar.

- Magnetic and permanent mount versions
- Magnetic version certified by TÜV for speeds up to 200kph
- 12 volt
- 40W (100dB) siren with 'Wail' and 'Yelp' tones
- Magnetic version has DIN plug with integral 3 position selector switch for siren
- Xenon strobes certified to ECE R65 (blue and amber versions)
- 12 months' guarantee

Applications:

Emergency, fire and medical services.

Materials:

Polycarbonate lens covers, aluminium base extrusion.

Certified to EMC directive 2004/104/EC.

Certified to ECE R65.

High voltage transient and polarity reversal protection fitted.

Operating temperature: -30°C to +55°C (-30°C lower limit subject to intermittent and non-continuous use at temperatures below -20°C).

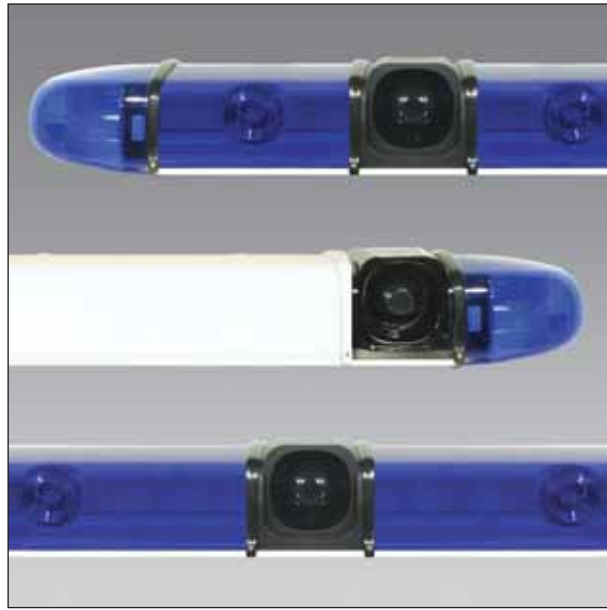
Suitable for emergency, fire, medical and security services.

Tested by TÜV Germany to 200kph

Type	Blue	Green	Blue/Green	Amber
Magnetic Mount	492001	492007	492004	492003
Permanent Mount	492002	492008	492005	492006

40W/80W Xenergy Siren Bars

ECE R65 Approved



End strobes	>42cd (blue)	120/min	double flash synchronous	IP65	40W: 100dB 80W: 105dB
Directional front/rear strobes	>400cd	65/min (nominal)	random		

Features:

Dual-tone siren bar.

- 40W and 80W versions
- 3 lengths available: 1000, 1400 and 1500mm
- 12 volt
- Siren with 'Wail' and 'Yelp' tones
- Xenon strobes certified to ECE R65
- 12 months' guarantee

Applications:

Emergency, fire and medical services.

Materials:

Polycarbonate lens covers, aluminium base extrusion.

Certified to EMC directive 2004/104/EC.

Certified to ECE R65.

High voltage transient and polarity reversal protection fitted.

Operating temperature: -30°C to +55°C (-30°C lower limit subject to intermittent and non-continuous use at temperatures below -20°C).

Suitable for emergency, fire, medical and security services.

Product	40W	80W	Length		
2XB.1000	492040	-	1000mm	4.5A (max)	
4XB.1000	492041	-	1000mm	5.5A (max)	
2XB3I.1400	492044	492048	1400mm	40W 6.7A (max) 80W 8.2A (max)	
4XB1.1400	492045	492049	1400mm	40W 6.5A (max) 80W 8A (max)	
2XB3BI.1400	492046	492050	1400mm	40W 6.7A (max) 80W 8.2A (max)	
4XB1BI.1400	492047	492051	1400mm	40W 6.5A (max) 80W 8A (max)	
2XB.1500	492042	-	1500mm	4.5A (max)	
4XB.1500	492043	-	1500mm	5.5A (max)	

Delta Bar Range

ECE R65 Approved



Features and Options:

A range of high quality low profile light bars for amber and blue markets. Xenon, xenon/LED and Full LED variants are available.

- Dual voltage 12/24V
- Single flash Xenon corner strobes
- Intensely bright 3rd generation LED corners
- Xenon face strobes feature a choice of high visibility ripple flash pattern
- LED face modules feature a unique high visibility tri-phase flash pattern
- Seven lengths available: 520, 750, 980, 1200, 1430, 1650 and 1885mm
- Aluminium box extrusion with front and rear face modules
- Long life Xenon flash tubes and LED modules
- Low power consumption
- Flexibars: individually configured to your specifications
- Easily installed and removed magnetic mount version for a range of 520 and 750mm bars. Please call for further information
- 12 months' guarantee

Mounting Options:

- Standard mount consists of four rubber feet. Side mounting kit available for specific applications.

Applications:

Suitable for all sectors of the commercial vehicle market and emergency services.

Materials:

Polycarbonate lens covers, aluminium box extrusion.

Xenon corner strobes	>100cd (amber) >42cd (blue)	120/min	single flash	IP65

Certified to EMC directive 95/54.

Certified to ECE R65.

High voltage transient and polarity reversal protection fitted.

Operating temperature: -20° to +55°C.

LED corner strobes	>100cd (amber) >50cd (blue)	120/min	quad flash	IP65

Certified to EMC directive 2004/104/EC.

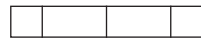
Certified to ECE R65 (blue only).

High voltage transient and polarity reversal protection fitted.

Operating temperature: -20° to +55°C.



DB1 520 (20")



DB2 750 (30")



DB3 980 (39")



DB4 1200 (47")



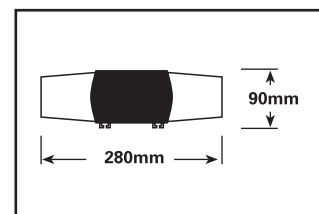
DB5 1430 (56")



DB6 1650 (65")



DB7 1885 (74")



Econostrobe C

Standard Light Bar for the commercial vehicle market.
Incorporates extra Xenon strobes to front face of light bar.



Econostrobe C 5DB front and rear



Product	Length (mm)	12V	24V	<i>i</i> 12V	<i>i</i> 24V	Each bar shown front & rear (front at the top)
Econostrobe C 1DB	520	880051	-	3.63A	-	
Econostrobe C 2DB	750	880052	-	4.46A	-	
Econostrobe C 3DB	980	880053	880057	5.03A	2.52A	
Econostrobe C 4DB	1200	880054	880068	5.86A	2.94A	
Econostrobe C 5DB	1430	880055	880069	8.09A	4.06A	
Econostrobe C 6DB	1650	880056	880060	7.26A	3.64A	

Econostrobe R Standard Light Bar for the recovery market.
Incorporates extra Xenon strobes to rear face of light bar.



Econostrobe R 4DB front and rear



Product	Length (mm)	12V	24V	<i>i</i> 12V	<i>i</i> 24V	Each bar shown front & rear (front at the top)
Econostrobe R 4DB	1200	880064	880067	5.86A	3.04A	
Econostrobe R 5DB	1430	880065	880070	8.89A	4.09A	
Econostrobe R 6DB	1650	880066	880071	8.68A	4.44A	

Maxisafe Standard light bar for the recovery, rescue and road maintenance markets.
Incorporating full Xenon strobes and highly visible ripple flash pattern to the rear face of the light bar.



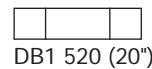
Maxisafe 4DB front and rear



Product	Length (mm)	12V	24V	<i>i</i> 12V	<i>i</i> 24V	Each bar shown front & rear (front at the top)
Maxisafe 4DB	1200	880074	880073	12.86A	6.44A	
Maxisafe 5DB	1430	880075	880072	15.09A	7.56A	
Maxisafe 6DB	1650	880076	880077	15.6A	7.84A	

Xenon Flexibar

Choose from a wide range of options individually configured to your own specification.



DB1 520 (20")



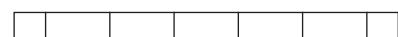
DB2 750 (30")



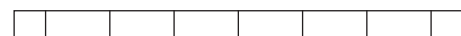
DB3 980 (39")



DB4 1200 (47")



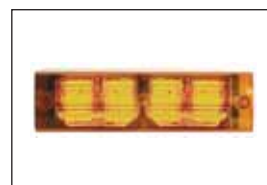
DB5 1430 (56")



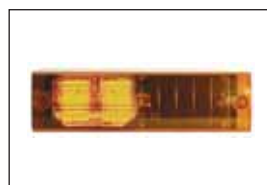
DB6 1650 (65")



DB7 1885 (74")



12W Xenon Modules



6W Xenon Modules



Split face Xenon & Worklight Modules



Illuminated Modules



Alley Lights



20W & 35W Worklights



Lettering Service

Standard Base Configuration:

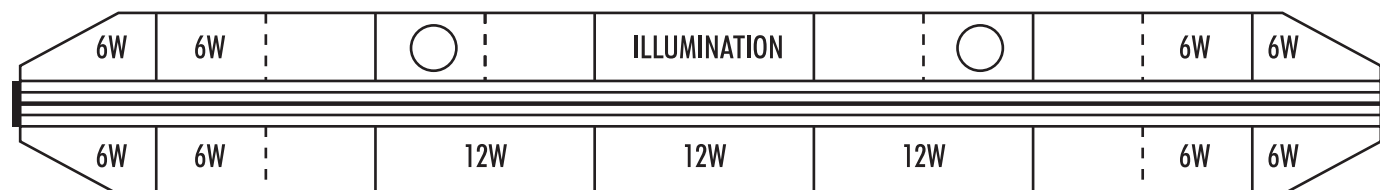
4 x 6W flashing corners with dummy modules to front and rear.

Other options include:

LED stop/tail/indicator modules.
Flashing Halogens.

Example Configuration DB5 1430 (56"):

Front: 2 x 6W Xenon Modules (synchronised with corner modules), 2 x Split Modules with dichroic work lamps, 1 x Illuminated Module.



Rear: 2 x 6W Xenon Modules (synchronised with corner modules), 3 x 12W Xenon Modules with coded ripple pattern.

Please advise 12V or 24V when ordering.

LED Enhanced Delta Bar with Xenon strobe corners and LED modules. Tri-phase flash pattern to front and rear.



Product	Length (mm)	Dual Voltage	<i>i</i> 12V	<i>i</i> 24V	Each bar shown front & rear (front at the top)
LED/LED 1DB	520	880410	4A	2A	
LED/LED 2DB	750	880420	5.2A	2.8A	
LED/LED 3DB	980	880430	6.4A	3.2A	
LED/LED 4DB	1200	880440	7.6A	5.6A	
LED/LED 5DB	1430	880450	8.8A	4.4A	
LED/LED 6DB	1650	880460	10A	5A	
LED/LED 7DB	1885	880470	11.2A	5.6A	

LED + Illumination

Enhanced Delta Bar with Xenon strobe corners and LED face modules. Supplied with white illuminations to the front and tri-phase flash pattern to the rear.



LED/ILLU 5DB front and rear

Product	Length (mm)	12V	24V	<i>i</i> 12V	<i>i</i> 24V	Each bar shown front & rear (front at the top)
LED/ILLU 1DB	520	880411	880415	4.23A	2.12A	
LED/ILLU 2DB	750	880421	880425	5.66A	2.84A	
LED/ILLU 3DB	980	880432	880636	6.63A	3.32A	
LED/ILLU 4DB	1200	880646	880447	8.06A	4.03A	
LED/ILLU 5DB	1430	880652	880456	9.49A	4.75A	
LED/ILLU 6DB	1650	880663	880466	10.46A	5.23A	
LED/ILLU 7DB	1885	880471	880475	11.89A	5.95A	

Maxi-LED Featuring corners fitted with 3rd generation high brightness LEDs, quad flash pattern.



NEW LED corner module



5DB LED face and corners front and rear



Product	Length (mm)	Dual Voltage	<i>i</i> 12V	<i>i</i> 24V	Each bar shown front & rear (front at the top)
LED/LED 1DB	520	880510	2.8A	1.4A	
LED/LED 2DB	750	880520	4A	2A	
LED/LED 3DB	980	880530	5.2A	2.6A	
LED/LED 4DB	1200	880540	6.4A	3.2A	
LED/LED 5DB	1430	880550	7.6A	3.8A	
LED/LED 6DB	1650	880560	8.8A	4.4A	
LED/LED 7DB	1885	880570	10A	5A	

Maxi-LED + Illumination

Featuring corners fitted with 3rd generation high brightness LEDs, quad flash pattern. Supplied with white illumination to the front.



LED/ILLU 5DB front and rear, LED face and corners.

Product	Length (mm)	12V	24V	<i>i</i> 12V	<i>i</i> 24V	Each bar shown front & rear (front at the top)
LED/ILLU 1DB	520	880511	880515	3.03A	1.52A	
LED/ILLU 2DB	750	880521	880525	4.46A	2.23A	
LED/ILLU 3DB	980	880532	880537	5.43A	2.72A	
LED/ILLU 4DB	1200	880542	880547	6.86A	3.43A	
LED/ILLU 5DB	1430	880552	880556	8.29A	4.15A	
LED/ILLU 6DB	1650	880563	880562	9.26A	4.63A	
LED/ILLU 7DB	1885	880571	880575	10.69A	5.35A	

LED Flexibar

Choose from a wide range of options individually configured to your own specification.



DB1 520 (20")

DB2 750 (30")

DB3 980 (39")

DB4 1200 (47")

DB5 1430 (56")

DB6 1650 (65")

DB7 1885 (74")



LED Modules
Amber, blue, red or white.



Illuminated Modules



Lettering Service



Alley Lights



20W & 35W Worklights

Other options include:

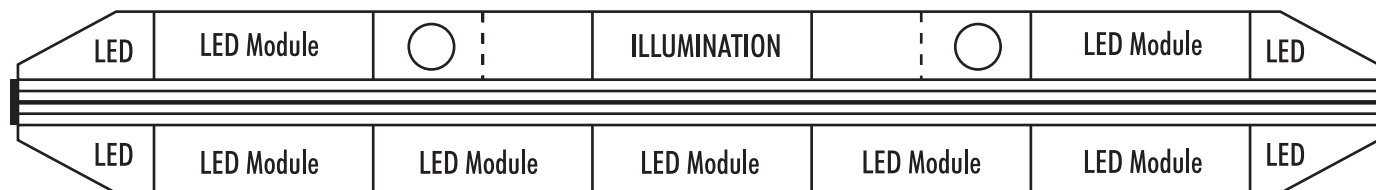
LED stop/tail/indicator modules.
Flashing Halogens.

Standard Base Configuration:

4 x 6W flashing Xenon corners with dummy modules to front and rear.
or
4 x 6W third generation flashing LED corners with dummy modules to front and rear.

Example Configuration DB5 1430 (56"):

Front: 2 x LED Modules, 2 x Split Modules with dichroic work lamps, 1 x Illuminated Module.



Rear: 5 x LED Modules.

Please advise 12V or 24V when ordering.

Hi-Wave

ECE R65 Approved



Features:

A range of dual function bars with amber Xenon strobe end modules and amber LED rear-facing modules. Offers 3 traffic directing sequences and 5 high visibility warning flash patterns. Supplied with remote control unit with cradle for dash mounting.

- Dual voltage 12/24V (10.5 – 30Vdc)
- Standard and low-profile versions
- 8 flash patterns
- Real-time flash pattern display on controller
- Low power consumption
- High reliability ultra bright LEDs and Xenon strobe tubes
- 12 months' guarantee

Controller Features:

- Backlit pattern selector
- Fitted with 5m cable, with extension available
- Independent switch for end / corner strobes

Flash Patterns:

- 3 directional patterns and 5 high visibility warning flash patterns

Materials:

Polycarbonate lens covers, aluminium extrusions.

Certified to EMC directive 95/54.
 Certified to ECE R65.
 High voltage transient and polarity reversal protection fitted.
 Operating temperature: -20° to +55°C.



Hi-Wave Delta 980



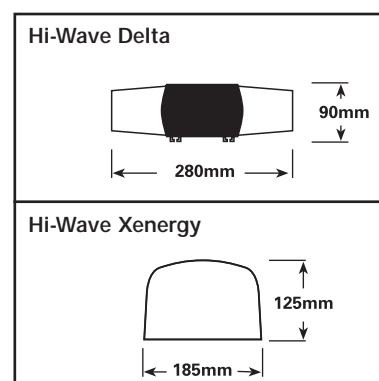
Hi-Wave Delta 1200



Hi-Wave Xenergy 1110



Hi-Wave Xenergy 1360



Model	Part No.	Length	Description	<i>i</i> 12V	<i>i</i> 24V
Hi-Wave Delta 980	880011	980mm	6 rear facing LED blocks + 4 Xenon 6W corner strobe modules	4.4A	2.2A
Hi-Wave Delta 1200	880012	1200mm	8 rear facing LED blocks + 4 Xenon 6W corner strobe modules	4.9A	2.4A
Hi-Wave Xenergy 1110	491030	1110mm	6 rear facing LED blocks + 2 Xenon end strobes	4.6A	2.3A
Hi-Wave Xenergy 1360	491040	1360mm	8 rear facing LED blocks + 2 Xenon end strobes	3.1A	2.5A
Hi-Wave Extension Cable	521095	5m	Extension cable	-	-

Beacon Accessories

Reference	Description	Part Number	Alpha Star Beta Star Delta Star	Zeta Star Lunar Star	Solar Star Turbo Star	DuraStrobe	Rearguard Hedgehog	Husky Husky Pup Pup2	Orion
FX60	Mag Kit/Cable/Cigar DIN Plug	521036	✓					✓	
FX11	Triple Mag Kit	521022		✓	✓				
FX7	Single Bolt Kit	521015	✓	✓			✓	✓	
FX12	Single Bolt Kit	521019			✓				
FX13	Pole Mount Kit	521024	✓	✓	✓			✓	
FX30	Flexible Pole Mount Kit	521048	✓	✓	✓				
FX21	Pole Mount Connector – Female	521035	✓		✓	✓			
FX14	Mounting Bracket	521018	✓	✓	✓		✓	✓	✓
FX16	Backing Plate	521027	✓		✓				
FX9	Protector Guard	521033	✓					✓	✓
FX37	Protector Guard	521053		✓					
FX10	Protector Guard	521021			✓				
FX23	Protector Guard	521040					✓		
FX24	Surface / Side Entry Kit	521043					✓		
FX35	Pole Mount Connector – Female Threaded	521055	✓	✓	✓	✓			



Beacon & Light Bar Spare Parts

Beacons and Mini Light Bars

Product	Beacon	Clear / None	Amber	Red	Blue	Green
RB Lens Kit	Alpha/Beta/Delta/Durastrobe/Gamma/Husky/Husky Pup.	517001	517002	517052	517053	517005
SQ Lens Kit	Rearguard	517091	517092	517093	517094	517095
EL Lens Kit	Turbo Star	517021	517026	517023	517027	517025
SC Lens Kit	Solar Star	-	517010	-	517011	-
ZB Lens Kit	Zeta Star	-	517122	517123	517124	517125
LB Lens Kit	Lunar Star	-	517122	-	517124	-
Orion Lens Kit	Orion	517126	-	-	-	-
PU Lens Kit	Pup2	-	517127	-	-	-
Hedgehog Lens Kit	Hedgehog	-	517102	517103	-	-
Pulsar Lens Kit	Pulsar	-	517032	517034	-	-
Replacement Circuit	Alpha Star/Husky Pup/Pup2	570013	-	-	-	-
Replacement Circuit	Beta Star	568005	-	-	-	-
Replacement Tube	Delta Star	570009	-	-	-	-
Replacement Tube	Husky	569016	-	-	-	-
Replacement Tube	Solar Star, Turbo Star	570080	-	-	-	-
Replacement Tube	Zeta Star	593005	-	-	-	-
Replacement Tube	Lunar Star	593001	-	-	-	-

Delta Bars

Product	Clear	Amber	Red	Blue	Green	Opal	12V	24V
12W double face xenon module	-	400050	400051	400052	400053	-	-	-
6W double face xenon module	-	400055	400056	400057	400058	-	-	-
Xenon corner module slave	-	400031	-	400032	-	-	-	-
Xenon corner module master	-	400041	-	400042	-	-	-	-
LED face module	-	400076	400078	400077	-	-	-	-
LED corner module	-	400035	-	400036	-	-	-	-
Alley light kit	-	-	-	-	-	-	400004	400005
Illumination	-	-	-	-	-	-	400070	400075
Work light kit - single left	-	-	-	-	-	-	400080	400090
Work light kit - single right	-	-	-	-	-	-	400085	400095
Work light xenon left - no bulb	-	-	-	-	-	-	400060	400060
Work light xenon right - no bulb	-	-	-	-	-	-	400061	400061
Coloured infill	-	-	053134	-	-	-	-	-
Coloured inserts	-	053132	053130	053131	-	-	-	-
Corner lens kit	400020	400021	400022	400023	400024	400026	-	-
Face lens kit	400010	400011	400012	400013	400014	400016	-	-

Xenergy Bars

Product	Clear / None	Amber	Red	Blue	Opal	Silver	Black
Replacement end assembly	490109	-	-	-	-	-	-
Replacement tube - end assembly	490108	-	-	-	-	-	-
Replacement end cover	490101	490102	-	490103	-	-	-
Replacement centre cover	490121	490122	-	490123	490124	-	-
Replacement double length centre cover	517111	517112	-	517114	517113	-	-
Replacement triple length centre cover	517115	517116	-	517118	517117	-	-
Replacement end strap	-	-	-	-	490118	490119	490117
Replacement centre strap	-	-	-	-	490128	490129	490127
Directional strobe	490131	490132	490134	490133	-	-	-
Replacement stop/tail assembly 12V	490140	-	-	-	-	-	-
Replacement stop/tail assembly 24V	490142	-	-	-	-	-	-
Replacement indicator assembly 12V	490141	-	-	-	-	-	-
Replacement indicator assembly 24V	490143	-	-	-	-	-	-

Features:

A range of high quality work lights, manufactured in the UK.

- All models supplied without bulbs ready for your choice of 12V or 24V use
- Symmetric standard lenses
- Free form dye cast aluminium reflectors
- 30mm brackets – upright mount

Materials:

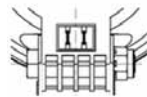
Fibreglass reinforced nylon housing, gold passivated carbon steel bracket.



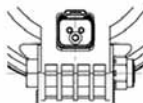
Model	Part No.	Bulb 12V (not supplied)	Bulb 24V (not supplied)	Bulbs Required	Spade Connectors*
Series 115	PW 115 SP	H3 12V 55W	H3 24V 70W	1	6.35mm (1/4")
Series 1010	PW 1010 SP	H3 12V 55W	H3 24V 70W	1	6.35mm (1/4")
Series 1014	PW 1014 SP	H3 12V 55W	H3 24V 70W	1	6.35mm (1/4")
Series 1117	PW 1117 SP	H3 12V 55W	H3 24V 70W	2	6.35mm (1/4")

* Deutsch DT connector available as an option.

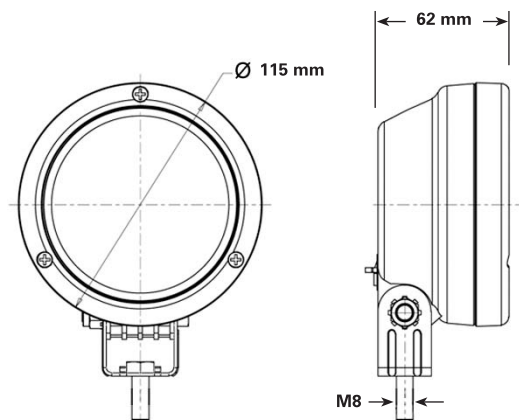
6.35mm spade
connectors



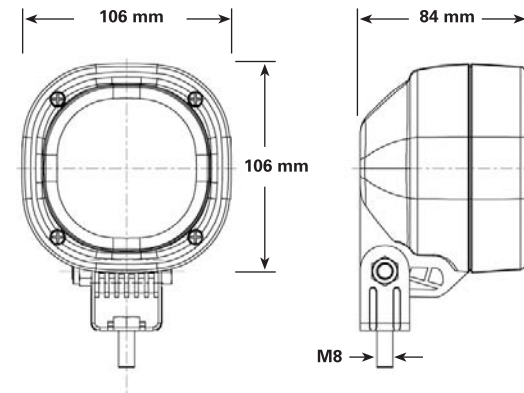
Deutsch DT
connector option



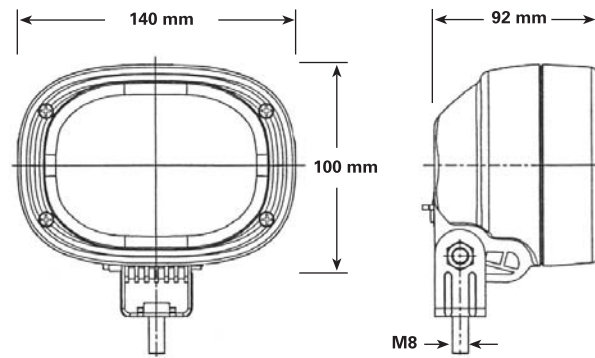
Series 115



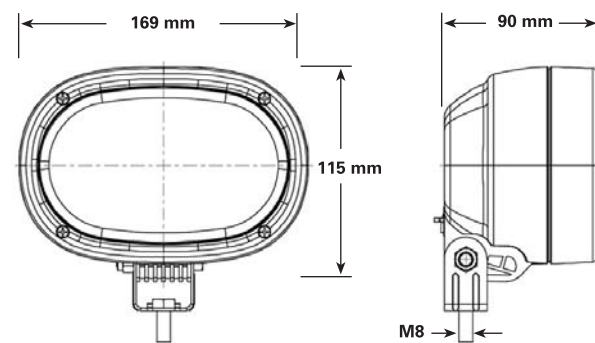
Series 1010



Series 1014



Series 1117 TWIN BULB



How to Find Us

To Sales & Admin Unit – Kings Park

Leave M25 at Junction 20. From the roundabout take the A4251 exit towards Kings Langley. (Take care not to take the A41 Bypass).

After 400m you reach a mini roundabout, turn right here (2nd exit) onto the Home Park Mill Link Road (signposted Home Park Industrial Estate).

You will cross the canal and shortly arrive at a T junction where you should turn left.

Continue past some factory buildings and the petrol station. After a further 400m, turn left into the Kings Park Estate. Delta is to be found at Unit 1.

Delta Design
 1 Kings Park Industrial Estate,
 Primrose Hill
 Kings Langley
 Herts WD4 8ST
 Tel: +44 1923 272850



To Manufacturing and Purchasing Unit – Happy Valley

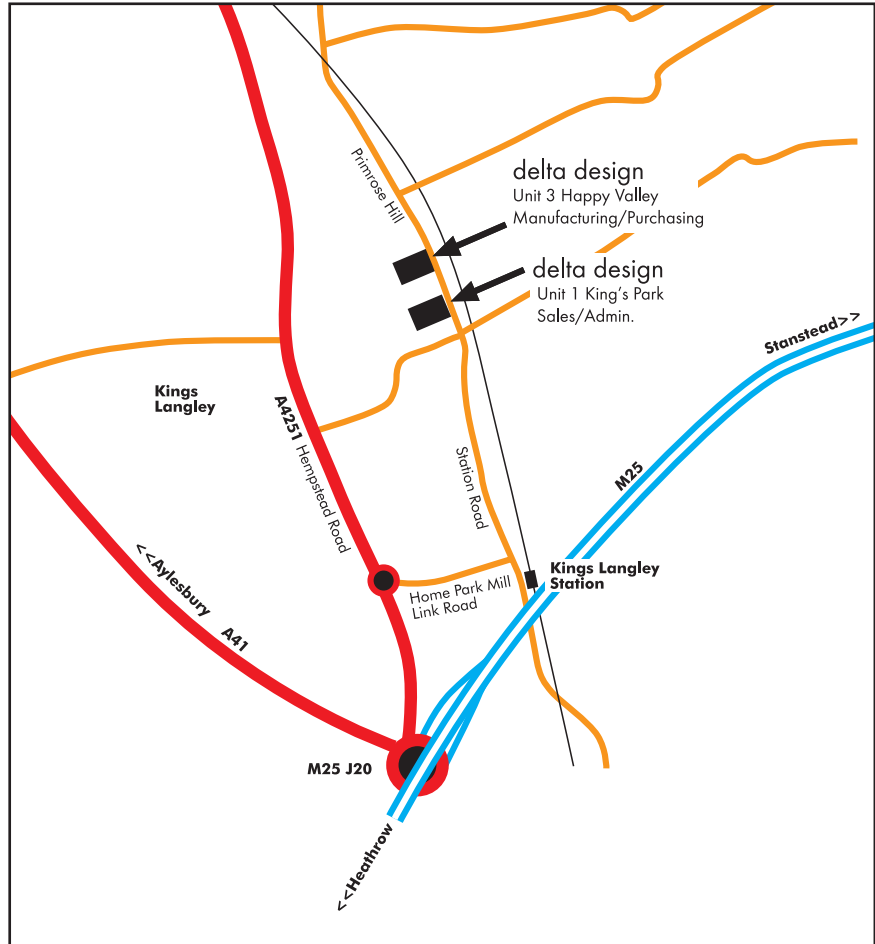
Leave M25 at Junction 20. From the roundabout take the A4251 exit towards Kings Langley. (Take care not to take the A41 Bypass).

After 400m you reach a mini roundabout, turn right here (2nd exit) onto the Home Park Mill Link Road (signposted Home Park Industrial Estate).

You will cross the canal and shortly arrive at a T junction where you should turn left.

Continue past some factory buildings and the petrol station. After a further 500m, turn left into the Industrial Estate marked Happy Valley Industrial Park. Delta is to be found at Unit 3.

Delta Design
 Unit 3 Happy Valley Industrial Park
 Primrose Hill
 Kings Langley
 Herts WD4 8HD
 Tel: +44 1923 260802



automotive, off-road and battery powered vehicles

product reference catalogue 2007/8



deltad design

... advanced warning technology

 delta design
a division of NICOTECH Limited

Primrose Hill, Kings Langley, Herts WD4 8ST, England.

Tel: (U.K.) 01923 272850 (Int.) +44 1923 272850
Fax: (U.K.) 01923 260167 (Int.) +44 1923 260167

E-mail: sales@deltadesign.co.uk
Web: www.deltadesign.co.uk

 delta design
a division of NICOTECH Limited

www.deltadesign.co.uk

X-ON Electronics

Largest Supplier of Electrical and Electronic Components

Click to view similar products for [delta manufacturer](#):

Other Similar products are found below :

[MKEL-DRB](#) [PFB1224UHE-T50F](#) [PL01S2412A](#) [PMB-24V50W1AA](#) [1316038K66E000](#) [DOP-EXI014RAE](#) [DRP024V480W3BN](#)
[DRP048V240W1BN](#) [DTB4824LV](#) [DTB4848LV](#) [DTB4896CR](#) [DTB4896VRE](#) [DTB9696CVE](#) [DTB9696LVE](#) [DVP01PU-S](#) [DVP06XA-S](#)
[DVP08SN11T](#) [DVP08SP11R](#) [DVDPNET-SL](#) [DVPDT01-S](#) [EFB0412HHA](#) [BUE-20015](#) [IFD8520](#) [1-NPO/603-1339](#) [20114-80](#) [20310-80](#)
[900-\(1C\)-30A-12VDC](#) [166-DPDT-13A-6VDC](#) [ADP485-01](#) [AFB0412MA](#) [FFB1212VHE-F00](#) [1-NPO/603-1326](#) [20243-81](#) [23595-73](#) [PMC-](#)
[12V150W1BA](#) [CME-COP01](#) [31000-82](#) [310-4PDT-10A-110VAC](#) [32003-81](#) [32007-82](#) [32007-84](#) [320-4PDT-3A-110VAC](#) [320-4PDT-3A-](#)
[24VAC](#) [TP05G-BT2](#) [TP-PCC](#) [31003-82](#) [31004-84](#) [31007-84](#) [310-4PDT-10A-24VDC](#) [310-SPDT-10A-24VDC](#)