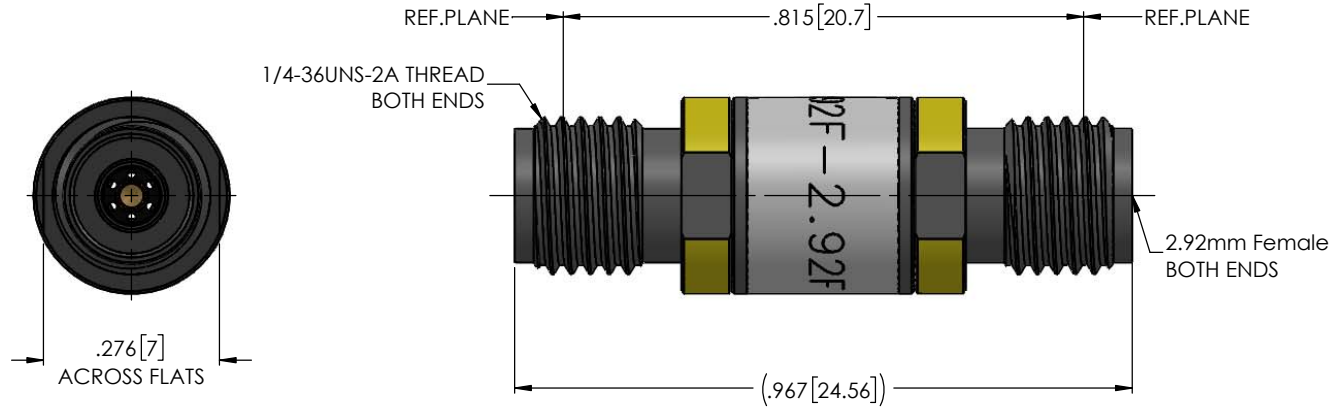


ALL DIMENSIONS IN BRACKETS ARE IN MM AND ARE FOR REFERENCE PURPOSE ONLY

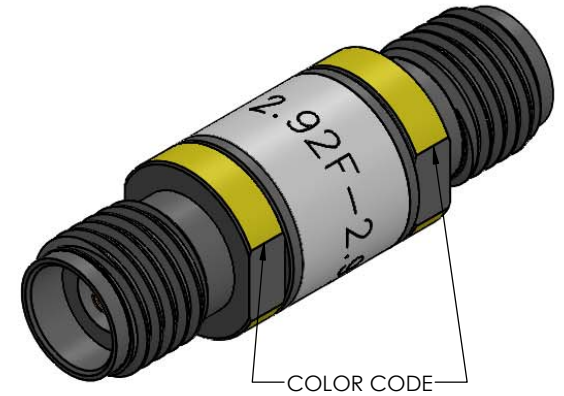
7928000K001-803-C



ELECTRICAL SPECIFICATIONS	
FREQUENCY RANGE	DC- 40GHz
VSWR	1.25 Max @ 40GHz
INSERTION LOSS	0.38dB Max@ 40GHz
WORKING VOLTAGE@SEA LEVEL	250 Vrms
DWV@SEA LEVEL	750 Vrms
INSULATION RESISTANCE	5000MΩ
MECHANICAL SPECIFICATIONS	
DURABILITY	500 CYCLES MIN
COUPLING NUT TORQUE - RECOMMENDED	7-10 IN.LBS[0.8 -1.1N.m]
CONTACT CAPTIVATION	≥4.5 LBS [20N]
ENVIRONMENTAL SPECIFICATIONS	
TEMP RANGE	-55° TO +125° C

NOTES:

- ASSEMBLED CONNECTOR INTERFACE IS DESIGNED IN ACCORDANCE WITH IEC61169-35(2.92mm).



DESCRIPTION	MATERIAL	FINISH
INSULATOR - HIGH FREQUENCY	NORYL EN265, POLYPHENYLENE OXIDE (PPO), PER ASTM D-4349 PPE220B50541 F13 G1106	N/A
BUSHING - HIGH FREQUENCY	BRASS PER ASTM B16, C36000 ALLOY, TEMPER H02	GOLD PLATE PER ASTM B488
CONTACT - HIGH FREQUENCY	BERYLLIUM COPPER PER ASTM B196, C17300, TEMPER TD04	GOLD PLATE PER ASTM B488
BODY - HIGH FREQUENCY	CORROSION RESISTANT STEEL PER ASTM 582, S30300, COND. A	PASSIVATE PER SAE-AMS-2700

Table 1

PROPRIETARY AND CONFIDENTIAL
 THE INFORMATION CONTAINED IN THIS DRAWING IS THE SOLE PROPERTY OF DELTA ELECTRONICS (NANJING) CO.LTD. ANY REPRODUCTION IN PART OR AS A WHOLE WITHOUT THE WRITTEN PERMISSION OF DELTA ELECTRONICS (NANJING) CO.LTD. IS PROHIBITED.
 FILE NAME: 7928000K001-8031-C

UNLESS OTHERWISE SPECIFIED:				NAME		DATE		DELTA MICROWAVE ELECTRONICS (NANJING) CO., LTD	
DIMENSIONS ARE IN INCHES TOLERANCES: FRACTIONAL 1/64 ANGULAR: MACH 1° BEND 1° TWO PLACE DECIMAL .01 THREE PLACE DECIMAL .005 MAX CORNER BREAK = .005 MAX T.T.R. = .004 SURFACE FINISH = A3 or BETTER ☉ DENOTES CRITICAL DIMENSION				DRAWN	VINCENT	8/18/2020	www.DeltaRF.com / Ph: 025-84195408/ Fax: 025-84195407		
THIRD ANGLE PROJECTION				CHECKED	JAMES	8/18/2020	TITLE: 2.92mm FEMALE To 2.92mm FEMALE STRAIGHT ADAPTER		
MATERIAL: SEE TABLE				ENG APPR.	JAMES	8/18/2020	SIZE DWG. NO. REV		
FINISH: SEE TABLE				COMMENTS:			B 7928000K001-803-C -		
SCALE:							CODE ID - 00795 WEIGHT: 5.36g SHEET 1 OF 1		

X-ON Electronics

Largest Supplier of Electrical and Electronic Components

Click to view similar products for [RF Adapters - In Series](#) category:

Click to view products by [Delta](#) manufacturer:

Other Similar products are found below :

[5916-1103-603](#) [5919-1503-000](#) [5919-9503-000](#) [651A505](#) [82-5552](#) [9030-9523-502](#) [PN2C](#) [A0407000](#) [R114703000W](#) [R125771001](#)
[R127871001](#) [R141710000W](#) [R141723161](#) [R141730000](#) [R143730700](#) [R143770000](#) [R161703000W](#) [R161753000W](#) [R161791530W](#)
[R201705000](#) [R222705200](#) [R222M40010W](#) [R222M40050](#) [R223703180](#) [R316754000](#) [R405006000](#) [R443162000](#) [AD78TL](#) [HRM-513S](#)
[1996352-2](#) [2157155-1](#) [252169-75](#) [AD158](#) [2101130-1](#) [252186](#) [R114704000W](#) [R114720000W](#) [R125705001](#) [R125705701](#) [R125771000](#)
[R125771001W](#) [R127704001](#) [R127.870.001](#) [R127872001](#) [R142710000](#) [R142723000](#) [R143703000](#) [R143704000](#) [R143705700](#) [R143710000](#)