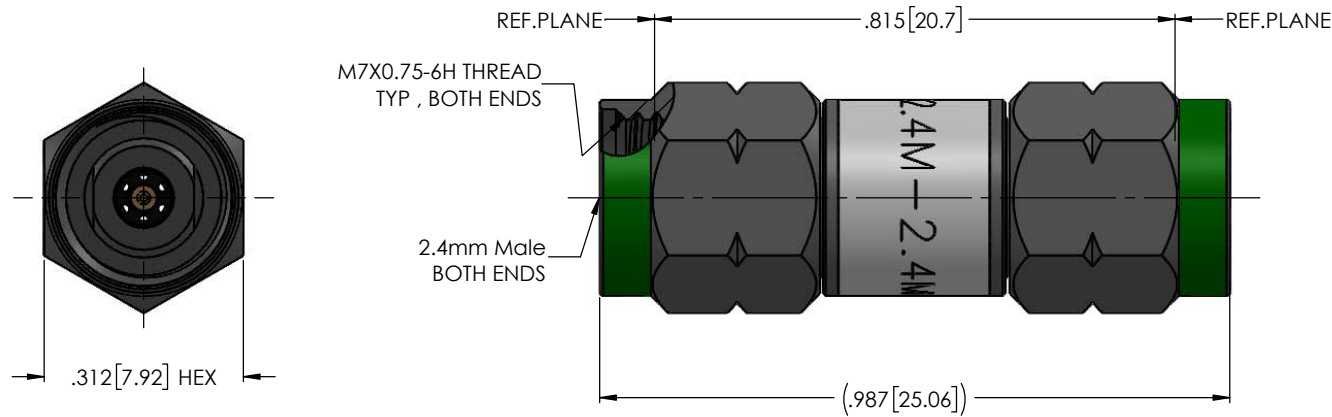


ALL DIMENSIONS IN BRACKETS ARE IN MM AND ARE FOR REFERENCE PURPOSE ONLY

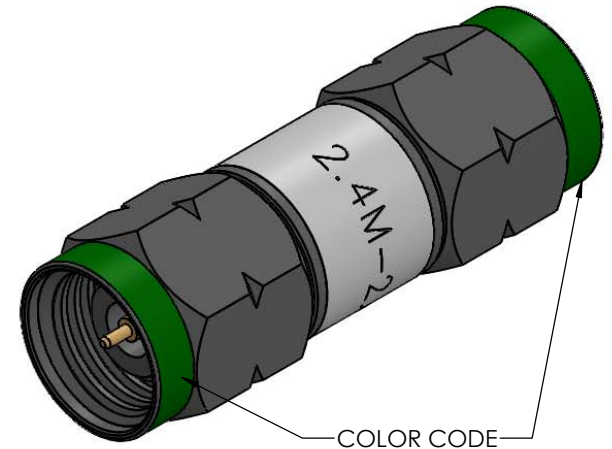
8027000K001-803-C



ELECTRICAL SPECIFICATIONS	
FREQUENCY RANGE	DC- 50GHz
VSWR	1.30 Max @ 50GHz
INSERTION LOSS	0.45dB Max@ 50GHz
WORKING VOLTAGE@SEA LEVEL	335 Vrms
DWV@SEA LEVEL	500 Vrms
INSULATION RESISTANCE	1000MΩ
MECHANICAL SPECIFICATIONS	
DURABILITY	500 CYCLES MIN
COUPLING NUT TORQUE - RECOMMENDED	7-10 IN.LBS[0.8 -1.1N.m]
CONTACT CAPTIVATION	≥4.5 LBS [20N]
ENVIRONMENTAL SPECIFICATIONS	
TEMP RANGE	-55° TO +125° C

NOTES:

- ASSEMBLED CONNECTOR INTERFACE IS DESIGNED IN ACCORDANCE WITH IEC61169-40(2.4mm).



DESCRIPTION	MATERIAL	FINISH
CONTACT - HIGH FREQUENCY	BERYLLIUM COPPER PER ASTM B196, C17300, TEMPER TD04	GOLD PLATE PER ASTM B488
INSULATOR - HIGH FREQUENCY	NORYL EN265, POLYPHENYLENE OXIDE (PPO), PER ASTMD-4349 PPE220B50541 F13 G1106	N/A
BUSHING - HIGH FREQUENCY	BRASS PER ASTM B16, C36000 ALLOY, TEMPER H02	GOLD PLATE PER ASTM B488
LOCKING RING	BERYLLIUM COPPER PER ASTM B196, C17300, TEMPER TD04	N/A
COUPLING NUT	CORROSION RESISTANT STEEL PER ASTM 582, S30300, COND. A	PASSIVATE PER SAE-AMS-2700
BODY - HIGH FREQUENCY	CORROSION RESISTANT STEEL PER ASTM 582, S30300, COND. A	PASSIVATE PER SAE-AMS-2700

Table 1

UNLESS OTHERWISE SPECIFIED:		NAME	DATE	DELTA MICROWAVE ELECTRONICS (NANJING) CO., LTD		
DIMENSIONS ARE IN INCHES TOLERANCES: FRACTIONAL 1/64 ANGULAR: MACH 1° BBID 1° TWO PLACE DECIMAL .01 THREE PLACE DECIMAL .005 MAX CORNER BREAK = .005 MAX T.I.R. = .004 SURFACE FINISH = 63 or BETTER ☉ DENOTES CRITICAL DIMENSION		DRAWN	VINCENT	8/12/2020	www.DeltaRF.com / Ph: 025-84195408/ Fax: 025-84195407	
THIRD ANGLE PROJECTION		CHECKED	JAMES	8/12/2020	TITLE: 2.4mm MALE To 2.4mm MALE STRAIGHT ADAPTER	
MATERIAL		ENG APPR.	JAMES	8/12/2020	SIZE DWG. NO. REV B 8027000K001-803-C -	
FINISH		COMMENTS:		CODE ID- 00795 WEIGHT: 6.79g SHEET 1 OF 1		
SCALE:		FILE NAME: 8027000K001-8031-C				

PROPRIETARY AND CONFIDENTIAL
THE INFORMATION CONTAINED IN THIS DRAWING IS THE SOLE PROPERTY OF DELTA ELECTRONICS (NANJING) CO.LTD. ANY REPRODUCTION IN PART OR AS A WHOLE WITHOUT THE WRITTEN PERMISSION OF DELTA ELECTRONICS (NANJING) CO.LTD. IS PROHIBITED.

X-ON Electronics

Largest Supplier of Electrical and Electronic Components

Click to view similar products for [RF Adapters - In Series](#) category:

Click to view products by [Delta](#) manufacturer:

Other Similar products are found below :

[5916-1103-603](#) [5919-1503-000](#) [5919-9503-000](#) [651A505](#) [82-5552](#) [9030-9523-502](#) [PN2C](#) [A0407000](#) [R114703000W](#) [R125771001](#)
[R127871001](#) [R141710000W](#) [R141723161](#) [R141730000](#) [R143730700](#) [R143770000](#) [R161703000W](#) [R161753000W](#) [R161791530W](#)
[R201705000](#) [R222705200](#) [R222M40010W](#) [R222M40050](#) [R223703180](#) [R316754000](#) [R405006000](#) [R443162000](#) [AD78TL](#) [HRM-513S](#)
[1996352-2](#) [2157155-1](#) [252169-75](#) [AD158](#) [2101130-1](#) [252186](#) [R114704000W](#) [R114720000W](#) [R125705001](#) [R125705701](#) [R125771000](#)
[R125771001W](#) [R127704001](#) [R127.870.001](#) [R127872001](#) [R142710000](#) [R142723000](#) [R143703000](#) [R143704000](#) [R143705700](#) [R143710000](#)