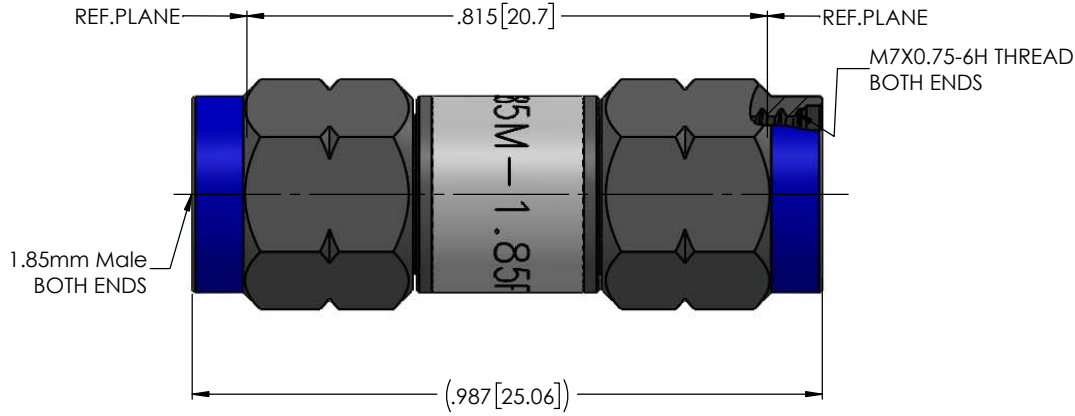
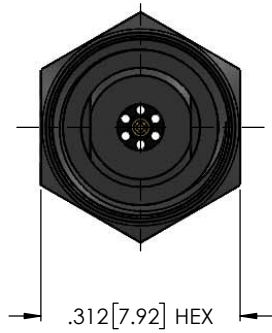




ALL DIMENSIONS IN BRACKETS ARE IN MM AND ARE FOR REFERENCE PURPOSE ONLY

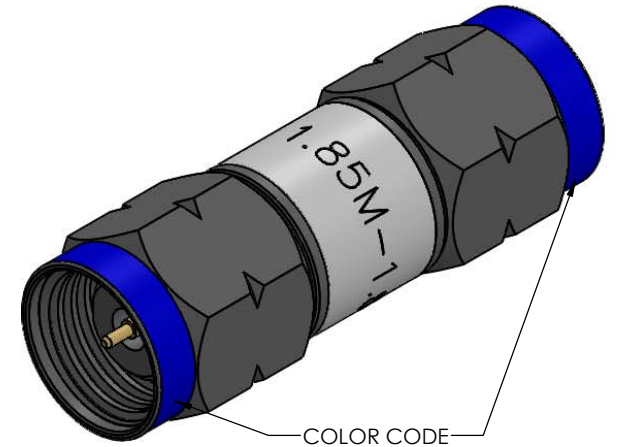
8127000K001-803-C



ELECTRICAL SPECIFICATIONS	
FREQUENCY RANGE	DC- 65GHz
VSWR	1.35 Max @ 65GHz
INSERTION LOSS	0.50dB Max@ 65GHz
WORKING VOLTAGE@SEA LEVEL	150 Vrms
DWV@SEA LEVEL	500 Vrms
INSULATION RESISTANCE	5000MΩ
MECHANICAL SPECIFICATIONS	
DURABILITY	500 CYCLES MIN
COUPLING NUT TORQUE - RECOMMENDED	7-10 IN.LBS[0.8 -1.1N.m]
CONTACT CAPTIVATION	≥4.5 LBS [20N]
ENVIRONMENTAL SPECIFICATIONS	
TEMP RANGE	-55° TO +125° C

NOTES:

- ASSEMBLED CONNECTOR INTERFACE IS DESIGNED IN ACCORDANCE WITH IEC61169-32(1.85mm)



DESCRIPTION	MATERIAL	FINISH
CONTACT - HIGH FREQUENCY	BERYLLIUM COPPER PER ASTM B196, C17300, TEMPER TD04	GOLD PLATE PER ASTM B488
INSULATOR - HIGH FREQUENCY	NORYL EN265, POLYPHENYLENE OXIDE (PPO), PER ASTMD-4349 PPE220B50541 F13 G1106	N/A
LOCKING RING	BERYLLIUM COPPER PER ASTM B196, C17300, TEMPER TD04	N/A
COUPLING NUT	CORROSION RESISTANT STEEL PER ASTM 582, S30300, COND. A	PASSIVATE PER SAE-AMS-2700
BUSHING - HIGH FREQUENCY	BRASS PER ASTM B16, C36000 ALLOY, TEMPER H02	GOLD PLATE PER ASTM B488
BODY - HIGH FREQUENCY	CORROSION RESISTANT STEEL PER ASTM 582, S30300, COND. A	PASSIVATE PER SAE-AMS-2700

Table 1

PROPRIETARY AND CONFIDENTIAL
 THE INFORMATION CONTAINED IN THIS DRAWING IS THE SOLE PROPERTY OF DELTA ELECTRONICS (NANJING) CO.LTD. ANY REPRODUCTION IN PART OR AS A WHOLE WITHOUT THE WRITTEN PERMISSION OF DELTA ELECTRONICS (NANJING) CO.LTD. IS PROHIBITED.
 FILE NAME: 8127000K001-8031-C

UNLESS OTHERWISE SPECIFIED:	
DIMENSIONS ARE IN INCHES	
TOLERANCES:	
FRACTIONAL 1/64	
ANGULAR: MACH 1° BBHD 1°	
TWO PLACE DECIMAL .01	
THREE PLACE DECIMAL .005	
MAX. CORNER BREAK = .005	
MAX. T.I.R. = .004	
SURFACE FINISH = 63 or BETTER	
☉ DENOTES CRITICAL DIMENSION	
THIRD ANGLE PROJECTION	
MATERIAL	SEE TABLE
FINISH	SEE TABLE
SCALE:	

	NAME	DATE
DRAWN	VINCENT	8/17/2020
CHECKED	JAMES	8/17/2020
ENG APPR.	JAMES	8/17/2020

DELTA MICROWAVE ELECTRONICS (NANJING) CO., LTD		
www.DeltaRF.com / Ph: 025-84195408/ Fax: 025-84195407		
TITLE: 1.85mm MALE To 1.85mm MALE STRAIGHT ADAPTER		
SIZE B	DWG. NO. 8127000K001-803-C	REV -
CODE ID - 00795	WEIGHT: 6.96 g	SHEET 1 OF 1

X-ON Electronics

Largest Supplier of Electrical and Electronic Components

Click to view similar products for [RF Adapters - In Series](#) category:

Click to view products by [Delta](#) manufacturer:

Other Similar products are found below :

[5916-1103-603](#) [5919-1503-000](#) [5919-9503-000](#) [651A505](#) [82-5552](#) [9030-9523-502](#) [PN2C](#) [A0407000](#) [R114703000W](#) [R125771001](#)
[R127871001](#) [R141710000W](#) [R141723161](#) [R141730000](#) [R143730700](#) [R143770000](#) [R161703000W](#) [R161753000W](#) [R161791530W](#)
[R201705000](#) [R222705200](#) [R222M40010W](#) [R222M40050](#) [R223703180](#) [R316754000](#) [R405006000](#) [R443162000](#) [AD78TL](#) [HRM-513S](#)
[1996352-2](#) [2157155-1](#) [252169-75](#) [AD158](#) [2101130-1](#) [252186](#) [R114704000W](#) [R114720000W](#) [R125705001](#) [R125705701](#) [R125771000](#)
[R125771001W](#) [R127704001](#) [R127.870.001](#) [R127872001](#) [R142710000](#) [R142723000](#) [R143703000](#) [R143704000](#) [R143705700](#) [R143710000](#)