



SPECIFICATION FOR APPROVAL

TO: Google

PAGE : 1

CUSTOMER PART NO.	REV.	DELTA PART NO. 86H-13006	ISSUE DATE MAR.20,2013	TEMP (°C) 25.1
PART NAME TRANSFORMER		DELTA REV. A	USED ON	HUM (%) 52 RH

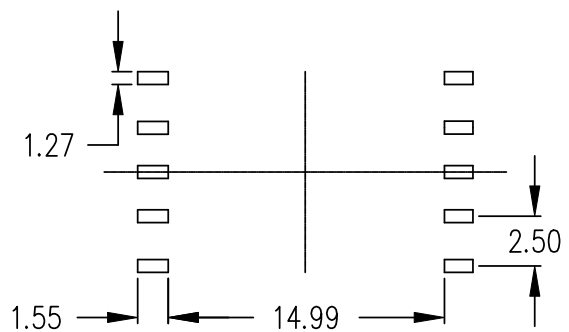
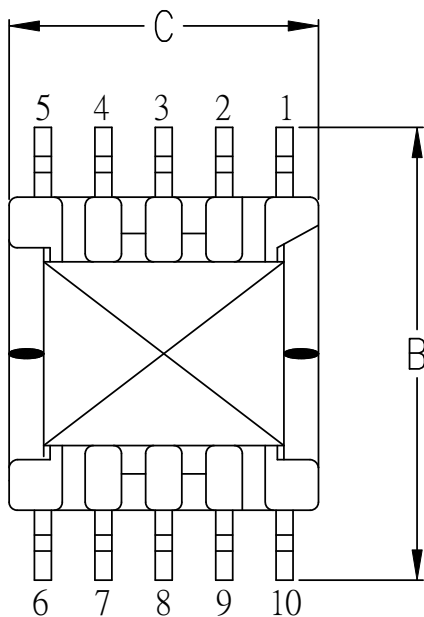
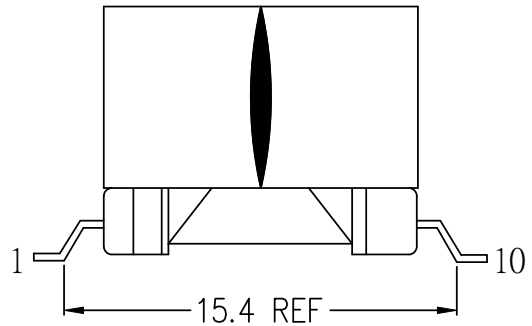
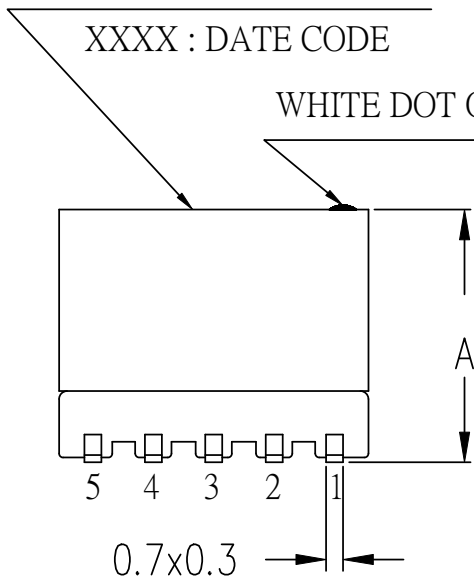
1. MECHANICAL DIMENSIONS:

MARKING : 86H-13006
DCZM XXXXA

DCZM : DELTA CHENZHOU PLANT

XXXX : DATE CODE

WHITE DOT ON PIN 1



PCB LAYOUT

UNIT : mm

A = 12.7 MAX

B = 17.75 MAX

C = 13.5 MAX

COPLANARITY REQUIREMENTS: LESS THAN 0.004"

Remark: The Dimension "B" doesn't include the solder tip

REPORTED BY LINGDA.TIAN	DRAFTED BY YY.ZHOU	CHECKED BY ALEX.LEO	APPROVED BY CY.TAY
----------------------------	-----------------------	------------------------	-----------------------



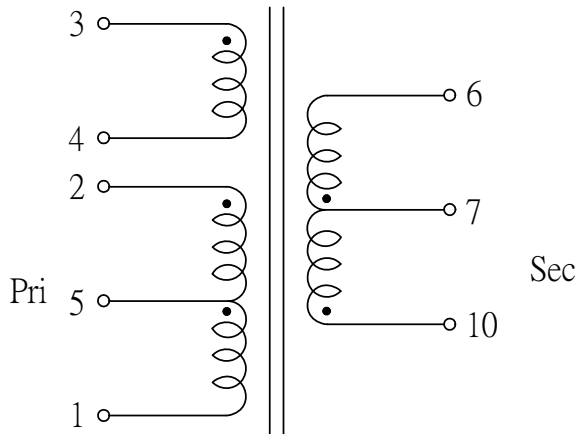
SPECIFICATION FOR APPROVAL

TO: Google

PAGE : 2

CUSTOMER PART NO.	REV.	DELTA PART NO. 86H-13006	ISSUE DATE MAR.20,2013	TEMP (°C) 25.1
PART NAME TRANSFORMER		DELTA REV. A	USED ON	HUM (%) 52 RH

2. SCHEMATIC:



Functional specs:

1. Output power : 10.0W
2. Operating frequency : 250 kHz
3. Topology : Flyback
4. Input voltage : 48 V
5. Output voltage : 5V
6. Duty cycle : 0.5 max
7. Turns ratio : (2-1):(10-7)=1:0.167



SPECIFICATION FOR APPROVAL

TO: Google

PAGE:3

CUSTOMER PART NO.	REV.	DELTA PART NO. 86H-13006	ISSUE DATE MAR. 20, 2013	TEMP(°C) 25.1
PART NAME TRANSFORMER	Q'TY 10	DELTA REV. A	USED ON	HUM (%) 52 RH

3.SAMPLE TEST DATA:

TEST ITEM (UNIT)	L(2-1) uH	Lk(2-1) OTHERS SHORT uH	Cp(2-10) 1,2 short 7,8,9,10 short pF	DCR(3-4) mΩ	DCR(2-1) mΩ	DCR(10-7) mΩ
TEST FREQ	1kHz, 0.5V	250kHz, 0.5V	250kHz, 0.5V	/	/	/
YOUR SPEC.	180±10%	/	/	230 MAX	330 MAX	10 REF
SUGG.SPEC.	/	/	/	/	/	/
1.	177.1	0.90	43.61	133.0	290.5	8.84
2.	177.9	0.93	43.57	131.8	291.3	8.73
3.	175.5	0.95	43.35	133.2	293.2	8.57
4.	178.8	0.85	44.27	134.3	294.6	8.65
5.	175.7	0.99	40.60	134.0	291.6	8.62
6.	179.8	1.07	44.71	134.1	289.6	8.63
7.	178.6	1.04	43.69	133.6	290.8	8.64
8.	175.4	0.84	41.13	132.5	293.2	8.60
9.	178.9	0.94	44.43	133.1	290.0	8.68
10.	179.0	1.07	43.96	132.2	290.4	8.74
11.						
12.						
13.						
14.						
15.						
16.						
17.						
18.						
19.						
20.						

NOTE: CORE MATERIAL: P47;



SPECIFICATION FOR APPROVAL

TO: Google

PAGE:4

CUSTOMER PART NO.	REV.	DELTA PART NO. 86H-13006	ISSUE DATE MAR. 20, 2013	TEMP(°C) 25.1
PART NAME TRANSFORMER	Q'TY 10	DELTA REV. A	USED ON	HUM (%) 52 RH

3. SAMPLE TEST DATA:

TEST ITEM (UNIT)	DCR(7-6) mΩ	T.R(3-4) @(2-1) mV	T.R(10-7) @(2-1) mV	T.R(7-6) @(2-1) mV	HI-POT TEST PRI TO SEC	HI-POT TEST WDGS TO CORE
TEST FREQ	/	30kHz, 0.05V	30kHz, 0.05V	30kHz, 0.05V	60Hz 3mA	60Hz 3mA
YOUR SPEC.	190 MAX	360±3%	167±3%	167±3%	1500Vac, 60s	500Vac, 60s
SUGG.SPEC.	/	/	/	/	/	/
1.	104.2	363.1	164.8	165.6	OK	OK
2.	102.3	364.4	164.8	165.6	OK	OK
3.	101.5	365.0	165.0	165.7	OK	OK
4.	103.4	363.0	164.1	164.8	OK	OK
5.	104.1	363.6	164.5	164.9	OK	OK
6.	100.1	363.1	164.0	164.8	OK	OK
7.	102.8	363.2	164.0	164.4	OK	OK
8.	101.2	362.2	163.9	164.5	OK	OK
9.	103.5	363.1	164.5	165.1	OK	OK
10.	104.3	362.1	163.9	164.3	OK	OK
11.						
12.						
13.						
14.						
15.						
16.						
17.						
18.						
19.						
20.						



SPECIFICATION FOR APPROVAL

TO: Google

PAGE:5

CUSTOMER PART NO.	REV.	DELTA PART NO. 86H-13006	ISSUE DATE MAR. 20, 2013	TEMP(°C) 25.1
PART NAME TRANSFORMER	Q'TY 10	DELTA REV. A	USED ON	HUM (%) 52 RH

3. SAMPLE TEST DATA:

TEST ITEM	A	B	C
(UNIT)	mm	mm	mm
TEST FREQ	/	/	/
YOUR SPEC.	12.7 MAX	17.75 MAX	13.5 MAX
SUGG.SPEC.	/	/	/
1.	12.20	17.28	12.97
2.	12.13	17.06	12.92
3.	12.11	17.04	12.72
4.	12.08	17.26	12.86
5.	12.17	17.16	12.96
6.	12.07	17.11	12.86
7.	12.14	17.30	12.85
8.	12.17	17.16	12.84
9.	12.07	17.21	12.81
10.	12.10	17.11	12.80
11.			
12.			
13.			
14.			
15.			
16.			
17.			
18.			
19.			
20.			

X-ON Electronics

Largest Supplier of Electrical and Electronic Components

Click to view similar products for [Thick Film Resistors - SMD category](#):

Click to view products by [Delta manufacturer](#):

Other Similar products are found below :

[CRCW04028R20JNEE](#) [CRCW06036K80FKEE](#) [CRG1206F1K58](#) [CRL0603-FW-R700ELF](#) [M55342K06B6E19RWL](#) [RC1005F1072CS](#)
[RC1005F471CS](#) [RC1005F4751CS](#) [RCP0603W100RGED](#) [ERJ-1GMF1R00C](#) [ERJ-1GMF1R20C](#) [ERJ-1GMF2R55C](#) [ERJ-1GMF8R66C](#)
[25121WF1003T4E](#) [25.501.3653.0](#) [290-1.0M-RC](#) [292-1.0M-RC](#) [292-2.2K-RC](#) [292-4.7K-RC](#) [25121WF4700T4E](#) [292-470K-RC](#) [302-1.0M-](#)
[RC](#) [CPG1206F10KC](#) [CRCW02011R00FXED](#) [CRCW060315K0FKEE](#) [CRCW060320K5FKEE](#) [CRG0201F10K](#) [RCP2512B100RGWB](#)
[RCWP12061K00FKS2](#) [3520510RJT](#) [352075KJT](#) [M55342K11B9E53RUL](#) [RMC16-102JT](#) [RMC1JPTE](#) [TR0603MR-075K1L](#) [5-2176094-4](#)
[35202K7JT](#) [WF06Q1000FTL](#) [ERJ-S14J4R7U](#) [CHP2512L4R30GNT](#) [WR12X1621FTL](#) [RCWP11001K00FKS3](#) [LRC-LRF3W-01-R050-](#)
[FTR1800](#) [9-2176088-6](#) [NRC06F1002TR20F](#) [CRCW02013M30FNED](#) [CRCW060343K0FKEE](#) [WR04X5360FTL](#) [RCA060345K3FKEA](#)
[LTR100JZPF33R0](#)