

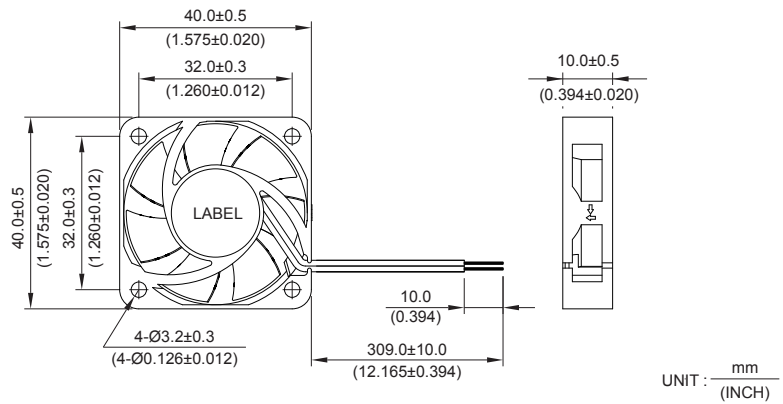
New



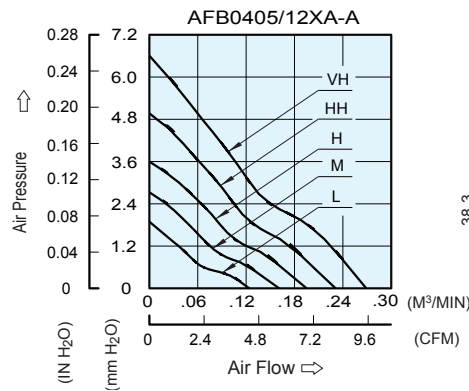
- * Bearing Type
Ball Bearings
- * Material
Impeller & Frame : Plastic(UL 94V-0)
- * Lead Wires :
UL 1007 AWG #28 OR Equivalent
Red Wire Positive(+)
Black Wire Negative(-)
- * Weight : 14.0g (0.49 OZ)
- * Rib Type Only

AFB 40 x 40 x 10 MM SERIES

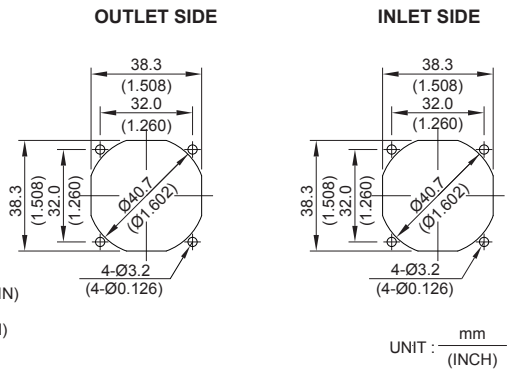
■ DIMENSIONS DRAWING



■ P & Q CURVE (AT RATED VOLTAGE)



■ MOUNTING PANEL CUTOUT



MODEL			Rated Voltage	Operating Voltage Range	Input Current	Input Power	Speed	Maximum Air Flow		Maximum Air Pressure		Noise
PART NO.	REV.	FUNCTION	VDC	VDC	Amp	Watt	R.P.M.	m ³ /min	CFM	mmH ₂ O	IN H ₂ O	dB-A
AFB0405LA	-A	-R00 / -F00	5	4.5 to 5.5	0.03	0.15	4000	0.124	4.39	1.73	0.068	16.0
AFB0412LA	-A	-R00 / -F00	12	9.0 to 13.8	0.02	0.24						
AFB0405MA	-A	-R00 / -F00	5	4.5 to 5.5	0.05	0.25	5000	0.161	5.67	2.65	0.104	21.5
AFB0412MA	-A	-R00 / -F00	12	7.0 to 13.8	0.03	0.36						
AFB0405HA	-A	-R00 / -F00	5	4.5 to 5.5	0.07	0.35	6000	0.195	6.90	3.60	0.140	27.0
AFB0412HA	-A	-R00 / -F00	12	7.0 to 13.8	0.04	0.48						
AFB0405HHA	-A	-R00 / -F00	5	4.5 to 5.5	0.09	0.45	7000	0.231	8.15	4.83	0.190	31.5
AFB0412HHA	-A	-R00 / -F00	12	7.0 to 13.8	0.05	0.60						
AFB0405VHA	-A	-R00 / -F00	5	4.5 to 5.5	0.11	0.55	8000	0.269	9.50	6.42	0.253	35.5
AFB0412VHA	-A	-R00 / -F00	12	7.0 to 13.8	0.06	0.72						

* Function type is optional.
 * The max. air flow and the speed are measured in free air ; max. air pressure is measured at zero air flow.
 * Noise is measured in anechoic chamber in free air, one meter from intake side.
 * All readings are typical values at rated voltage.
 * Specifications are subject to change without notice.

X-ON Electronics

Largest Supplier of Electrical and Electronic Components

Click to view similar products for [DC Fans](#) category:

Click to view products by [Delta](#) manufacturer:

Other Similar products are found below :

[614R](#) [AUB0612L](#) [AFB0948HH-S687](#) [G2E085-AA05-10](#) [4318/12T](#) [AUB0912H-F00](#) [3412N/2ME](#) [W2G110-AM39-01](#) [8412GLV](#) [8412NGL-12](#) [6448-384](#) [4114N/17-251](#) [4318/2R](#) [4412F/2D](#) [424JMU](#) [4414/2HH](#) [4112 N/12GL-175](#) [9GA0912F402](#) [9GA0812B20011](#)
[AFB0824SHBAV1](#) [DV5214/2NP-230](#) [9GA0912H4021](#) [THC1548MGDJJ](#) [9GA0812B2001](#) [GFB1224SHG](#) [8500NU](#) [9WG1212E101-E](#)
[3241.124](#) [DC0401012V2B-3T0](#) [ASFP14391](#) [ASFP64371](#) [ASFP64391](#) [ASFP84391](#) [ASFP92391](#) [9A0612G402](#) [AD5012HB-C71](#)
[AD5012MB-C71](#) [ASFP84372](#) [ASFP64372](#) [31100-000440-RS](#) [ASFP14372](#) [ASFP16371](#) [ASFP16372](#) [ASFP40770](#) [ASFP42770](#) [ASFP44770](#)
[ASFP64392](#) [ASFP82392](#) [ASFP84392](#) [ASFP92371](#)