



**客戶承認書**  
**SPECIFICATION FOR APPROVAL**

CUSTOMER: \_\_\_\_\_

DESCRIPTION: \_\_\_\_\_ DC FAN \_\_\_\_\_

CUSTOMER P/N: \_\_\_\_\_ REV: \_\_\_\_\_

DELTA MODEL: \_\_\_\_\_ AFB0824SH7DT \_\_\_\_\_ REV: 01

SAMPLE ISSUE DATE: \_\_\_\_\_ 12/13/2017 \_\_\_\_\_

QUANTITY: \_\_\_\_\_

PLEASE SIGN BACK ONE COPY OF THIS SPECIFICATION  
AFTER COMPLETION OF APPROVAL

APPROVED BY: \_\_\_\_\_

DATE: \_\_\_\_\_

DELTA ELECTRONICS COMPONENTS (WUJIANG) LTD.  
FAN/MOTOR PLANT  
No.1688 Jiangxing East Road,WuJiang Economy Development Zone  
Wujiang City JiangSu Province, P.R.C.

TEL:86-512-63406008  
FAX:86-512-63015608

No.1688 Jiangxing East Road  
WuJiang Economy Development Zone  
Wujiang City Jiang Su Province,P.R.C.

TEL : 86-512-63406008  
FAX : 86-512-63015608

STATEMENT OF DEVIATION  
\*\*\*\*\*

NONE

DESCRIPTION :

DELTA DOC CENTER

No.1688 Jiangxing East Road  
 Wujiang Economy Development Zone  
 Wujiang City Jiang Su Province,P.R.C.

TEL : 86-512-63406008  
 FAX : 86-512-63015608

SPECIFICATION FOR APPROVAL  
 \*\*\*\*\*

Customer:	武漢開瑞電氣		
Description:	DC FAN		
Customer P/N:		REV:	
Delta Model NO.:	AFB0824SH7DT	Delta safety model NO.:	AFB0824SH
Sample Rev:	01	Issue NO:	
Sample Issue Date:	DEC-13-2017	Quantity:	

1. SCOPE:

THIS SPECIFICATION DEFINES THE ELECTRICAL AND MECHANICAL CHARACTERISTICS OF THE DC BRUSHLESS AXIAL FLOW FAN. THE FAN MOTOR IS WITH TWO PHASES AND FOUR POLES.

2. CHARACTERS:

ITEM	DESCRIPTION
RATED VOLTAGE	24 VDC
OPERATION VOLTAGE	14.0 - 26.0 VDC
INPUT CURRENT	0.16 (MAX. 0.33) A SAFETY CURRENT ON LABEL : 0.33A
INPUT POWER	3.84 (MAX. 7.92) W
SPEED	4000 <sup>+250</sup> / <sub>-320</sub> R.P.M.
MAX. AIR FLOW (AT ZERO STATIC PRESSURE)	1.320 (MIN. 1.220 ) M <sup>3</sup> /MIN. 46.62 (MIN. 43.08 ) CFM
MAX. AIR PRESSURE (AT ZERO AIRFLOW)	6.78 (MIN. 5.74 ) mmH <sub>2</sub> O 0.267 (MIN. 0.226 ) inchH <sub>2</sub> O
ACOUSTICAL NOISE (AVG.)	40.0 (MAX. 43.0) dB-A
INSULATION TYPE	UL: CLASS A

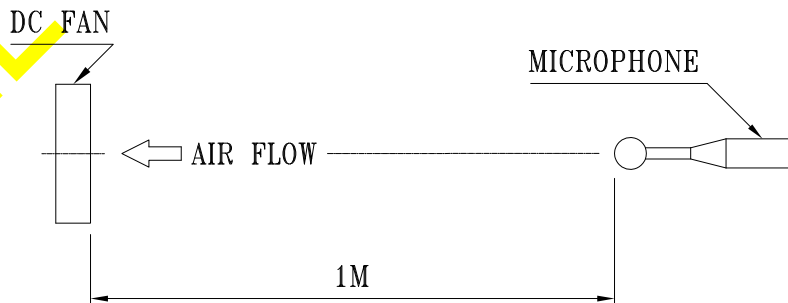
(continued)

PART NO:

DELTA MODEL: AFB0824SH7DT

INSULATION STRENGTH	10 MEG OHM MIN. AT 500 VDC (BETWEEN FRAME AND (+) TERMINAL)
DIELECTRIC STRENGTH	5 mA MAX. AT 500 VAC 50/60 Hz ONE MINUTE, (BETWEEN FRAME AND (+) TERMINAL)
EXTERNAL COVER	OPEN TYPE
LIFE EXPECTANCE (AT LABEL VOLTAGE)	70,000 HOURS CONTINUOUS OPERATION AT 40 °C WITH 15 ~ 65 %RH.
ROTATION	CLOCKWISE VIEW FROM NAME PLATE SIDE
OVER CURRENT SHUT DOWN	THE CURRENT WILL SHUT DOWN WHEN LOCKING ROTOR
LEAD WIRE	UL 1007 -F- AWG #24 BLACK WIRE NEGATIVE(-) RED WIRE POSITIVE(+)

- NOTES: 1. ALL READINGS ARE MEASURED AFTER STABLY WARMING UP THROUGH 10 MINUTES.
2. STANDARD AIR PROPERTY IS AIR AT (Td) 25°C TEMPERATURE, (RH) 65% RELATIVE HUMIDITY, AND (Pb) 760 mmHg BAROMETRIC PRESSURE.
3. THE VALUES WRITTEN IN PARENS , ( ), ARE LIMITED SPEC.
4. ACOUSTICAL NOISE MEASURING CONDITION:



NOISE IS MEASURED AT RATED VOLTAGE IN FREE AIR IN ANECHOIC CHAMBER WITH B & K SOUND LEVEL METER WITH MICROPHONE AT A DISTANCE OF ONE METER FROM THE FAN INTAKE.

---

PART NO:

---

DELTA MODEL:                    AFB0824SH7DT

---

3. MECHANICAL:

- 3-1. DIMENSIONS ————— SEE DIMENSIONS DRAWING
- 3-2. FRAME ————— PLASTIC UL: 94V-0
- 3-3. IMPELLER ————— PLASTIC UL: 94V-0
- 3-4. BEARING SYSTEM ————— TWO BALL BEARINGS
- 3-5. WEIGHT ————— 80 GRAMS

4. ENVIRONMENTAL:

- 4-1. OPERATING TEMPERATURE ————— -10 TO +60 DEGREE C
- 4-2. STORAGE TEMPERATURE ————— -40 TO +75 DEGREE C
- 4-3. OPERATING HUMIDITY ————— 5 TO 90 % RH
- 4-4. STORAGE HUMIDITY ————— 5 TO 95 % RH

5. PROTECTION:

5-1. LOCKED ROTOR PROTECTION

IMPEDANCE OF MOTOR WINDING PROTECTS MOTOR FROM FIRE IN 96 HOURS OF LOCKED ROTOR CONDITION AT THE RATED VOLTAGE.

5-2. POLARITY PROTECTION

BE CAPABLE OF WITHSTANDING IF REVERSE CONNECTION FOR POSITIVE AND NEGATIVE LEADS.

6. RE OZONE DEPLETING SUBSTANCES:

- 6-1. NO CONTAINING PBBs, PBBOs, CFCs, PBBEs, PBDPEs AND HCFCs.

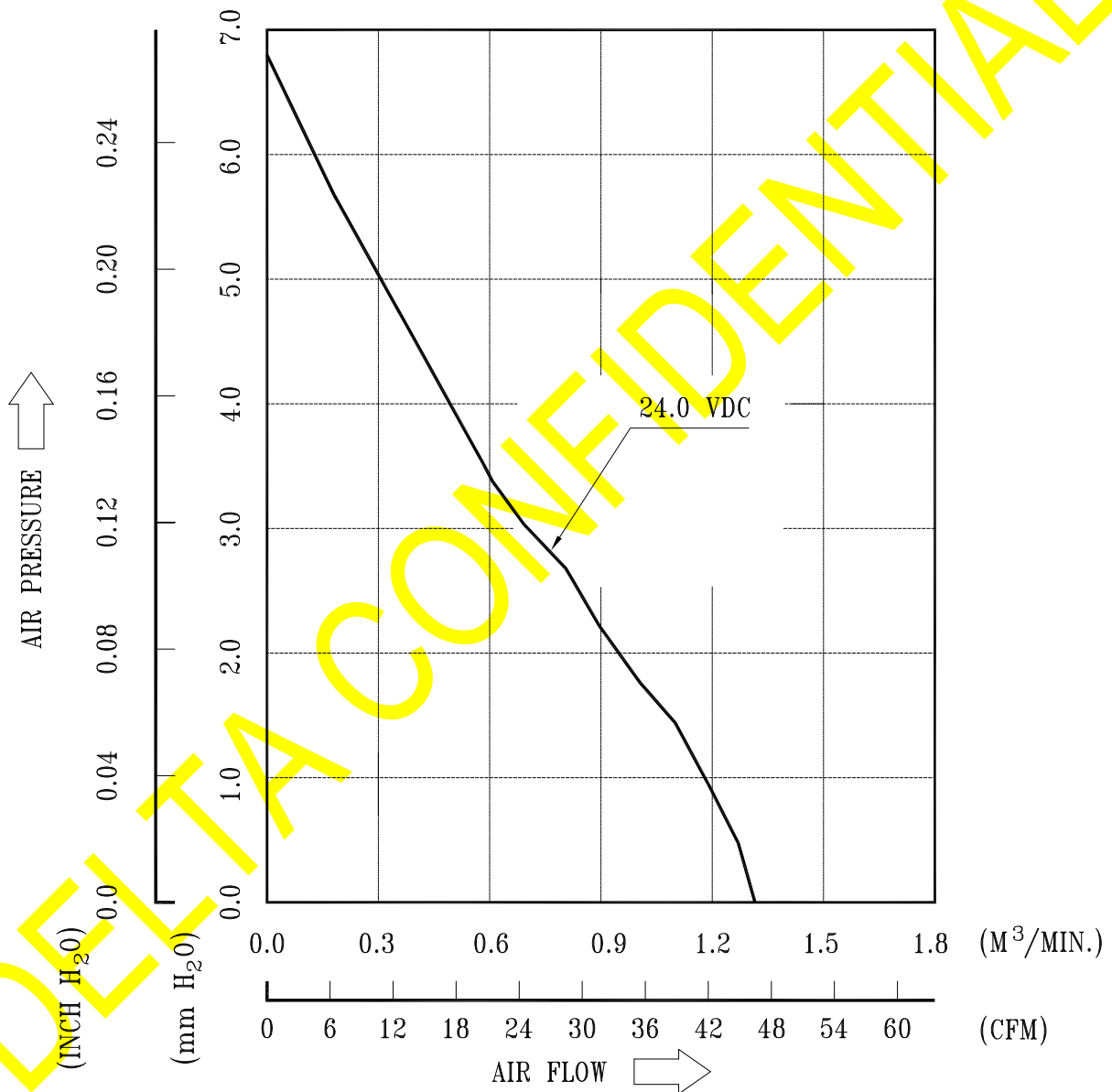
7. PRODUCTION LOCATION

- 7-1. PRODUCTS WILL BE PRODUCED IN CHINA OR THAILAND.

PART NO:

DELTA MODEL: AFB0824SH7DT

8. P & Q CURVE:



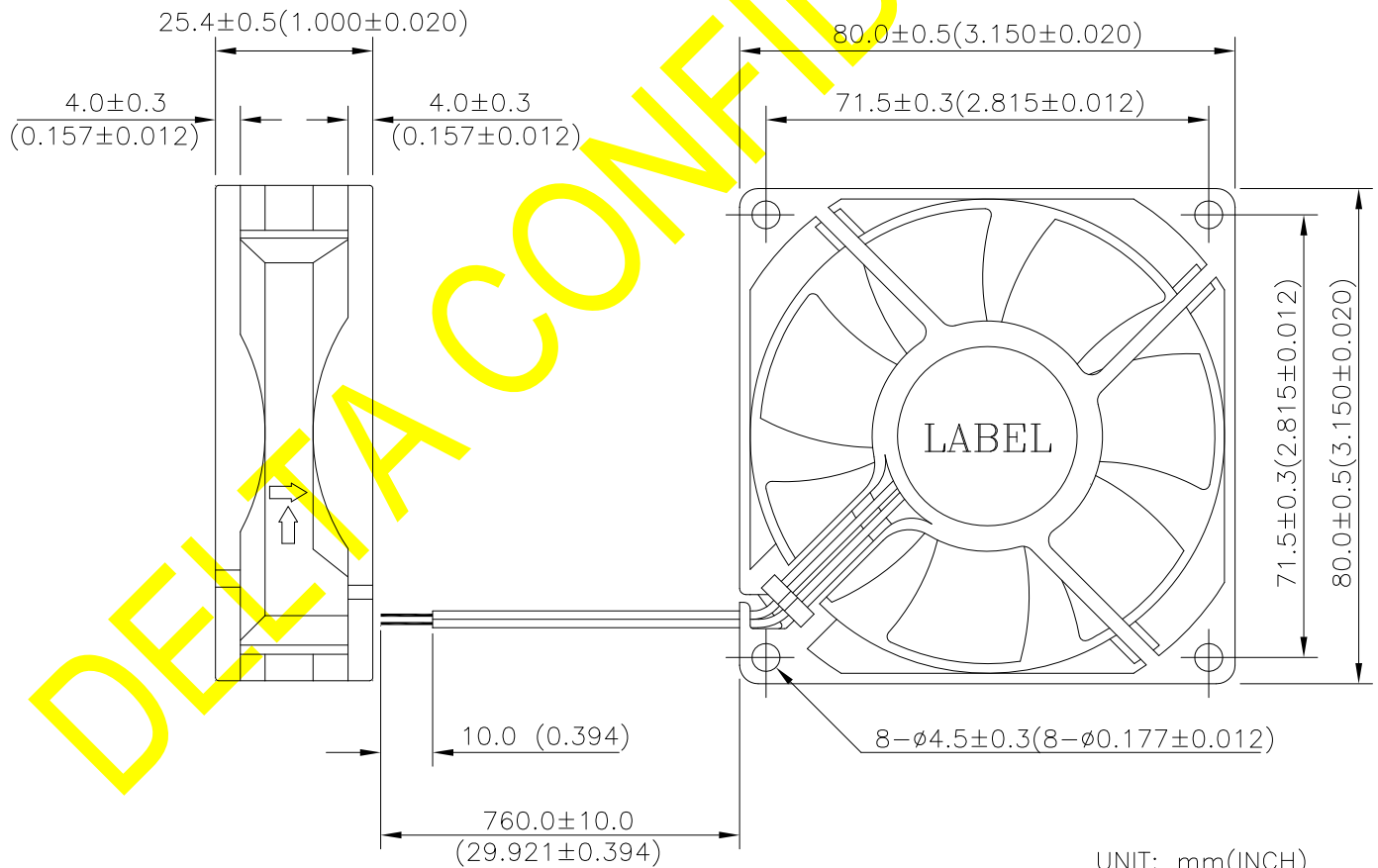
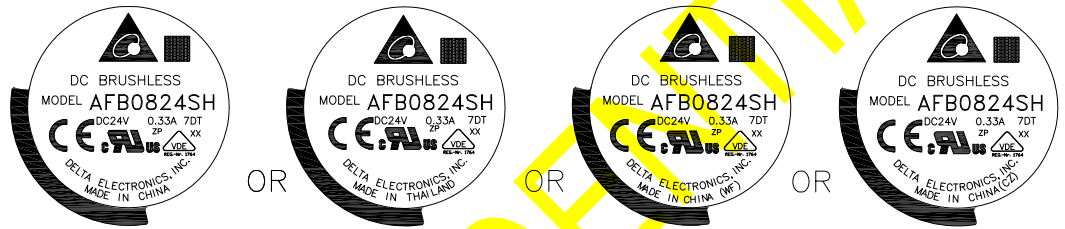
\* TEST CONDITION: INPUT VOLTAGE ——— OPERATION VOLTAGE  
TEMPERATURE ——— ROOM TEMPERATURE  
HUMIDITY ——— 65%RH

PART NO:

DELTA MODEL: AFB0824SH7DT

9. DIMENSION DRAWING:

LABEL:



UNIT: mm(INCH)

NOTES:

1. LEAD WIRE UL1007 AWG#24  
BLACK WIRE NEGATIVE(-)  
RED WIRE POSITIVE(+)
2. THIS PRODUCT IS RoHS COMPLIANT



## ***Application Notice***

- 1. Delta will not guarantee the performance of the products if the application condition falls outside the parameters set forth in the specification.**
- 2. A written request should be submitted to Delta prior to approval if deviation from this specification is required.**
- 3. Please exercise caution when handling fans. Damage may be caused when pressure is applied to the impeller, if the fans are handled by the lead wires, or if the fan was hard-dropped to the production floor.**
- 4. Except as pertains to some special designs, there is no guarantee that the products will be free from any such safety problems or failures as caused by the introduction of powder, droplets of water or encroachment of insect into the hub.**
- 5. The above-mentioned conditions are representative of some unique examples and viewed as the first point of reference prior to all other information.**
- 6. It is very important to establish the correct polarity before connecting the fan to the power source. Positive (+) and Negative (-). Damage may be caused to the fans if connection is with reverse polarity, if there is no foolproof method to protect against such error specifically mentioned in this spec.**
- 7. Delta fans without special protection are not suitable where any corrosive fluids are introduced to their environment.**
- 8. Please ensure all fans are stored according to the storage temperature limits specified. Do not store fans in a high humidity environment. We highly recommend performance testing is conducted before shipping, if the fans have been stored over 6 months.**
- 9. Not all fans are provided with the Lock Rotor Protection feature. If you impair the rotation of the impeller for the fans that do not have this function, the performance of those fans will lead to failure.**
- 10. Please be cautious when mounting the fan. Incorrect mounting of fans may cause excess resonance, vibration and subsequent noise.**
- 11. It is important to consider safety when testing the fans. A suitable fan guard should be fitted to the fan to guard against any potential for personal injury.**
- 12. Except where specifically stated, all tests are carried out at room (ambient) temperature and relative humidity conditions of 25°C, 65% RH. The test value is only for fan performance itself.**
- 13. Be certain to connect an “ 4.7μF or greater” capacitor to the fan externally when the application calls for using multiple fans in parallel, to avoid any unstable power.**



# CERTIFICATE OF COMPLIANCE

**Certificate Number** 20151020-E132003  
**Report Reference** E132003-19971216  
**Issue Date** 2015-OCTOBER-20

**Issued to:** DELTA ELECTRONICS INC  
252 SHANG YING RD  
KUEI SHAN  
TAOYUAN HSIEN  
333 TAIWAN

**This is to certify that representative samples of** COMPONENT - FANS, ELECTRIC  
See addendum page

Have been investigated by UL in accordance with the Standard(s) indicated on this Certificate.

**Standard(s) for Safety:** Electric Fans, UL 507  
Fans and Ventilators, CSA C22.2 No. 113

**Additional Information:** See the UL Online Certifications Directory at [www.ul.com/database](http://www.ul.com/database) for additional information

Only those products bearing the UL Certification Mark should be considered as being covered by UL's Certification and Follow-Up Service.

Recognized components are incomplete in certain constructional features or restricted in performance capabilities and are intended for use as components of complete equipment submitted for investigation rather than for direct separate installation in the field. The final acceptance of the component is dependent upon its installation and use in complete equipment submitted to UL LLC.

Look for the UL Certification Mark on the product.



Bruce Mahrenholz, Director North American Certification Program

UL LLC

Any information and documentation involving UL Mark services are provided on behalf of UL LLC (UL) or any authorized licensee of UL. For questions, please contact a local UL Customer Service Representative at <http://ul.com/aboutul/locations/>



# CERTIFICATE OF COMPLIANCE


**Certificate Number** 20151020-E132003  
**Report Reference** E132003-19971216  
**Issue Date** 2015-OCTOBER-20

This is to certify that representative samples of the product as specified on this certificate were tested according to the current UL requirements.

## Model Nos.

AFB0305LLA, AFB0305LA, AFB0305MA, AFB0305HA, AFB0405LA, AFB0405MA, AFB0405HA, AFB0405HHD, AFB0505LA, AFB0505MA, AFB0505HA, AFB02505LA, AFB02505MA, AFB02505HA, AFB02505HHA, AFB0705L, AFB0705M, AFB0705H, AFB0405LD, AFB0405MD, AFB0405HD, AFB0605LLD, AFB0605LB, AFB0605MB, AFB0605HB, AFB0605HHB, AFB0605LA, AFB0605MA, AFB0605HA, AFB0505LB, AFB0505MB, AFB03505LA, AFB03505MA, AFB03505HA, AFB0505HB, AFB0512LB, AFB0512MB, AFB0512HB, AFB0512HHB, AFB0412LA, AFB0412MA, AFB0412HA, AFB0412HHA, AFB0512LA, AFB0512MA, AFB0512HA, AFB0712LA, AFB0712MA, AFB0712HA, AFB0712HHA, AFB0712VHA, AFB0812LL, AFB0812L, AFB0812M, AFB0812H, AFB0812HH, AFB0812VH, AFB0812SH, AFB0812LLB, AFB0812LB, AFB0812MB, AFB0812HB, AFB0812HHB, AFB0812VHB, AFB0812SHB, AFC0812D, AFC0812DD(Y), AFB0912L, AFB0912M, AFB0912H, AFB0912HH, AFB0912VH, AFC0912D, AFB0612LA, AFB0612MA, AFB0612HA, AFB02512LA, AFB02512VHB-5B05(Y), AFB02512MA(Y), AFB02512HA(Y), AFB02512HHA(Y), AFB0312LA(Y), AFB0312MA(Y), AFB0312HA(Y), AFB03512LA(Y), AFB03512MA(Y), AFB03512HA(Y), AFB0612LB, AFB0612MB, AFB0612HB, AFB0612HHB, AFB0612LLD, AFB02512MA-A(Y), AFB02512HA-A(Y), AFB02512HHA-A(Y), AFB0312LA-A(Y), AFB0312MA-A(Y), AFB0312HA-A(Y), AFB0612LD, AFB0612MD, AFB0612HD, AFB0612HHD, AFB0612VHD, AFB0612VHB, WFB1212VHE, WFB1212ME, AFB0412LD, AFB0412MD, AFB0412HD, AFB0412HHD, AFB0312LLA, AFB0524LB, AFB0524MB, AFB0524HB, AFB0524HHB, AFB0824LL, AFB0824L, AFB0824M, AFB0824H, AFB0824HH, AFB0824VH, AFB0824SH, AFB0824LLB, AFB0824LB, AFB0824MB, AFB0824HB, AFB0824HHB, AFB0824VHB, AFB0824SHB, AFB0924L, AFB0924M, AFB0924H, AFB0924HH, AFB0924VH, AFB0624LB, AFB0624MB, AFB0624HB, AFB0624HHB, AFB0624LLD, AFB0624LD, AFB0624MD, AFB0624HD, AFB0624HHD, AFB0624VHD, AFB0624VHB, WFB1224VHE, WFB1248HHE, WFB1248VHE, AFB0424LD, AFB0424MD, AFB0424HD, AFB0424HHD, AFB0748L, AFB0748M, AFB0748H, AFB0748HH, AFB0848L, AFB0848M, AFB0848H, AFB0848HH, AFB0948L, AFB0948M, AFB0948H, AFB0948HH, AFB0648L, AFB0648M, AFB0648H, AFB0648HH, AFB0648VH, AFB0648SH, AFB0648EH, AFB04512LB(Y), AFB04512MB(Y), AFB04512HB(Y), AFB0512LB-A(Y), AFB0512MB-A(Y), AFB0512HB-A(Y), GFB1412EHT(Y), GFC1412DT(Y), AFB0748SH-SP(Y), BFB1712EHT(Y), AFB03512LA-A(Y), AFB03512MA-A(Y), AFB03512HA-A(Y)

Note: above (Y) may be xxxxx, where x may be A through Z, 0 through 9, “-“ or blank. For Models AFB0812SH(Y), the (Y) excluded -9N07 and -SM26



Bruce Mahrenholz, Director North American Certification Program

UL LLC

Any information and documentation involving UL Mark services are provided on behalf of UL LLC (UL) or any authorized licensee of UL. For questions, please contact a local UL Customer Service Representative at <http://ul.com/aboutul/locations/>



# VDE Prüf- und Zertifizierungsinstitut Gutachten mit Fertigungsüberwachung

Ausweis-Nr. / Blatt /  
Licence No. / page  
1764 5

Name und Sitz des Genehmigungs-Inhabers / *Name and registered seat of the Licence holder*  
Delta Electronics Inc., 186 Ruey Kuang Road, NEIHU TAIPEI (114), TAIWAN

Aktenzeichen / *File ref.*  
1164100-2611-0001 / 11826 / F131 / S

letzte Änderung / *updated* Datum / *Date*  
2002-02-26 1994-06-08

Dieses Blatt gilt nur in Verbindung mit Blatt 1 des Gutachtens mit Fertigungsüberwachung Nr. 1764.  
*This supplement is only valid in conjunction with page 1 of the Certificate of Conformity with factory surveillance No. 1764.*

Jahresgebühren-Einheiten /  
*Annual fee units*

BFB0712H/L/M	DC 12 V	3,00
BFB0724H/L/M	DC 24 V	3,00
AFB0405LA/MA/HA/HHA	DC 5 V	4,00
AFB0412LA/MA/HA/HHA	DC 12 V	4,00
ASB0405LA/MA/HA/HHA	DC 5 V	4,00
ASB0412LA/MA/HA/HHA	DC 12 V	4,00
AFB0612LB	DC 12 V	2,00
AFB0612MB	DC 12 V	1,00
AFB0612HB	DC 12 V	1,00
AFB0612HHB	DC 12 V	1,00
AFB0624LB	DC 24 V	2,00
AFB0624MB	DC 24 V	1,00
AFB0624HB	DC 24 V	1,00
AFB0624HHB	DC 24 V	1,00
ASB0605L	DC 5 V	2,00
ASB0605M	DC 5 V	1,00
ASB0605H	DC 5 V	1,00
WFB1248HHE/VHE	DC 48 V	2,00
WFB1212VHE	DC 12 V	2,00
WFB1224VHE	DC 24 V	2,00
DSB0812L/M/H	DC 12 V	3,00
AFC0812A/B	DC 12 V	2,00
AFC0912A/B	DC 12 V	2,00
BFC1212A/B	DC 12 V	2,00
BFB1212LL/L/M/H/HH/VH	DC 12 V	6,00
BFB1224LL/L/M/H/HH/VH	DC 24 V	6,00
AFB0405LD/MD/HD	DC 5 V	3,00
AFB0412LD/MD/HD/HHD	DC 12 V	4,00
AFB0424LD/MD/HD/HHD	DC 24 V	4,00
AFB0612LA/MA/HA	DC 12 V	3,00
ASB0812LL/L/M/H/HH	DC 12 V	5,00
ASB0912L/M/H/HH	DC 12 V	4,00
ASB0824LL/L/M/H/HH	DC 24 V	5,00
ASB0924L/M/H/HH	DC 24 V	4,00
AFB0705L/M/H	DC 5 V	3,00
AFB0712L/M/H/HH/VH	DC 12 V	5,00
AFB0724L/M/H/HH/VH	DC 24 V	5,00
AFB0805LL/L/M/H	DC 5 V	4,00
AFB0812LL/L/M/H/HH/VH/SH	DC 12 V	7,00
AFB0824LL/L/M/H/HH/VH/SH	DC 24 V	7,00
AFB0912L/M/H/HH/VH	DC 12 V	4,00

Fortsetzung siehe Blatt 6 /  
*continued on page 6*



## X-ON Electronics

Largest Supplier of Electrical and Electronic Components

*Click to view similar products for [AC Fans](#) category:*

*Click to view products by [Delta](#) manufacturer:*

Other Similar products are found below :

[8850A](#) [A2D200-AA04-41](#) [A2E165-AA17-01](#) [AC430019H-012](#) [144LS-2282-010](#) [1500-FAN-01](#) [25.350.5253.0](#) [S2E250-AL06-70](#) [A2D210-AB10-05](#) [A2D240-AA02-02](#) [23241-3](#) [25.345.5353.0](#) [281DY-1LP14-000B](#) [344DY-1LP11-000](#) [39.703.0253.0](#) [USTF1203224VHW](#)  
[3915100996-SA3](#) [3G2C7MC224](#) [W2D200-HH04-07](#) [W2S130-AA03-43](#) [S2E250-BB13-22](#) [8856N](#) [A2E170-AF23-11](#) [W4S250-CA20-56](#)  
[W2S130-AB03-09](#) [5900](#) [C45-A7](#) [TAC12025230MT](#) [8550A](#) [8560N](#) [AD0405HB-G73\(9T\)](#) [CENT-2000-FFTM](#) [CENT-2000-RFTM](#) [W2D200-CA04-52](#) [W2S130-AB25-10](#) [A4E330-AB18-09](#) [W2E250-DB05-52](#) [W4E315-CS22-70](#) [W2E300-CP02-75](#) [S4S250-BA02-20](#) [S2D300-BP02-37](#) [W2S130-AB25-24](#) [W2D250-GA08-08](#) [A2E200-AH38-70](#) [TAC8025115HW](#) [F1238H24BT-FHR](#) [S2D300-CP02-34](#) [4118N/2H8PU-011](#)  
[RLF100-1114-060](#) [AD3512MB-G5B](#)