

Delta Electronics, Inc.
HeTianXia High-Tech Industrial Park.
Shi Jie Town, Dong Guan City.
Guangdong Province, China. P. R. C.

TEL : 86-769-86329008
FAX : 86-769-86631589

SPECIFICATION FOR REFERENCE

Customer:

Description: DC FAN

Customer P/N: REV:

Delta Model NO.: ASB02505HA-AXXX Delta safety model NO.:

Sample Rev: X00 Issue NO:

Sample Issue Date: MAR-31-2022 Quantity:

1. SCOPE:

THIS SPECIFICATION DEFINES THE ELECTRICAL AND MECHANICAL CHARACTERISTICS OF THE DC BRUSHLESS AXIAL FLOW FAN. THE FAN MOTOR IS WITH SINGLE PHASE AND FOUR POLES.

2. CHARACTERS:

(Operating voltage = 5.0VDC)

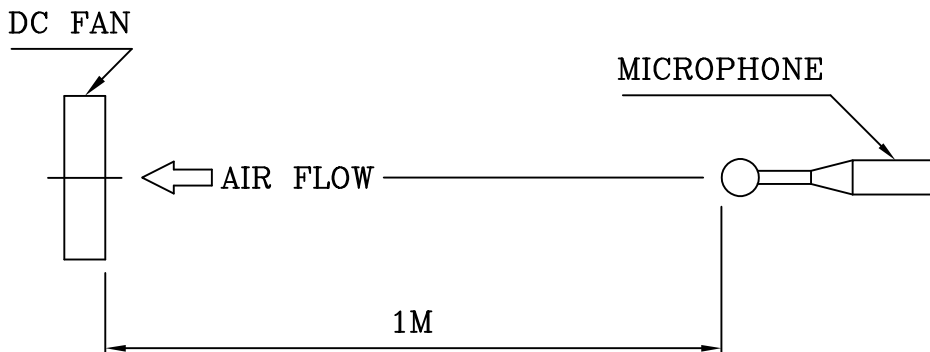
- | | |
|----------------------------------|--|
| 1) Rated Voltage | DC 5.0V |
| 2) Operational Voltage Range | DC 4.0 to 5.5V |
| 3) Min. Starting Voltage | 4.0V Max. (at 25°C) |
| 4) Rated Speed(AT 5.0V) | 9000 R.P.M. $\begin{matrix} +12\% \\ -12\% \end{matrix}$ |
| 5) Max. Air Flow(AT 5.0V) | 0.068m ³ /min /2.40 CFM(at 9000RPM)
0.057m ³ /min /2.01 CFM(Min.) |
| 6) Max. Static Pressure(AT 5.0V) | 2.890mmH ₂ O/0.114 inchH ₂ O(at 9000RPM)
2.060mmH ₂ O/0.081 inchH ₂ O(Min.) |
| 7) Rated Current | Typical. 0.04A, Max. 0.14A |
| 8) Rated Input Power | MAX. 0.70 W |
| 9) Operating Temperature | -10 to 70°C, RH 5~ 90% |
| 10) Storage Temperature | -30 to 75°C, RH 5 ~ 95% |
| 11) Sound Noise (AT 5.0V) | MAX. 22.0 dB-A |

PART NO:

DELTA MODEL: ASB02505HA-AXXX

INSULATION CLASS	UL: CLASS A
INSULATION RESISTANCE	10MEG OHM MIN. AT 500 VDC (BETWEEN FRAME AND (+) TERMINAL)
DIELECTRIC STRENGTH	5mA MAX. AT 500 VAC 50/60Hz ONE MINUTE, (BETWEEN FRAME AND (+) TERMINAL)
LIFE EXPECTANCE (L10) (AT LABEL VOLTAGE)	30,000 HOURS CONTINUOUS OPERATION AT 40°C , 15~65% RH.
ROTATION	CLOCKWISE VIEW FROM NAME PLATE SIDE

- NOTES: 1. ALL READINGS ARE MEASURED AFTER STABLY WARMING UP THROUGH 10 MINUTES
2. STANDARD AIR PROPERTY IS AIR AT (Td) 25°C TEMPERATURE, (RH) 65% RELATIVE HUMIDITY, AND (Pb) 760 mmHg BAROMETRIC PRESSURE.
3. THE VALUES WRITTEN IN PARENS , (), ARE LIMITED SPEC.
4. ACOUSTICAL NOISE MEASURING CONDITION:



NOISE IS MEASURED AT RATED VOLTAGE IN FREE AIR IN ANECHOIC CHAMBER WITH MICROPHONE AT A DISTANCE OF ONE METER FROM THE FAN INTAKE.

PART NO:

DELTA MODEL: ASB02505HA-AXXX

3. MECHANICAL:

- 3-1. DIMENSIONS ----- SEE DIMENSIONS DRAWING
- 3-2. FRAME ----- PLASTIC UL: 94V-0
- 3-3. IMPELLER ----- PLASTIC UL: 94V-0
- 3-4. BEARING SYSTEM ----- SLEEVE BEARING
- 3-5. WEIGHT ----- 6.0 GRAMS
- 3-6. INGRESS PROTECTION RATING ----- IP51(IEC60529)

4. PROTECTION:

4-1. LOCKED ROTOR PROTECTION

IMPEDANCE OF MOTOR WINDING PROTECTS MOTOR FROM FIRE IN 96 HOURS OF LOCKED ROTOR CONDITION AT THE RATED VOLTAGE.

4-2. POLARITY PROTECTION

BE CAPABLE OF WITHSTANDING IF REVERSE CONNECTION FOR POSITIVE AND NEGATIVE LEADS.

5. RE OZONE DEPLETING SUBSTANCES:

- 5-1. NO CONTAINING PBBs, PBBOs, CFCs, PBBEs, PBDPEs AND HCFCs.

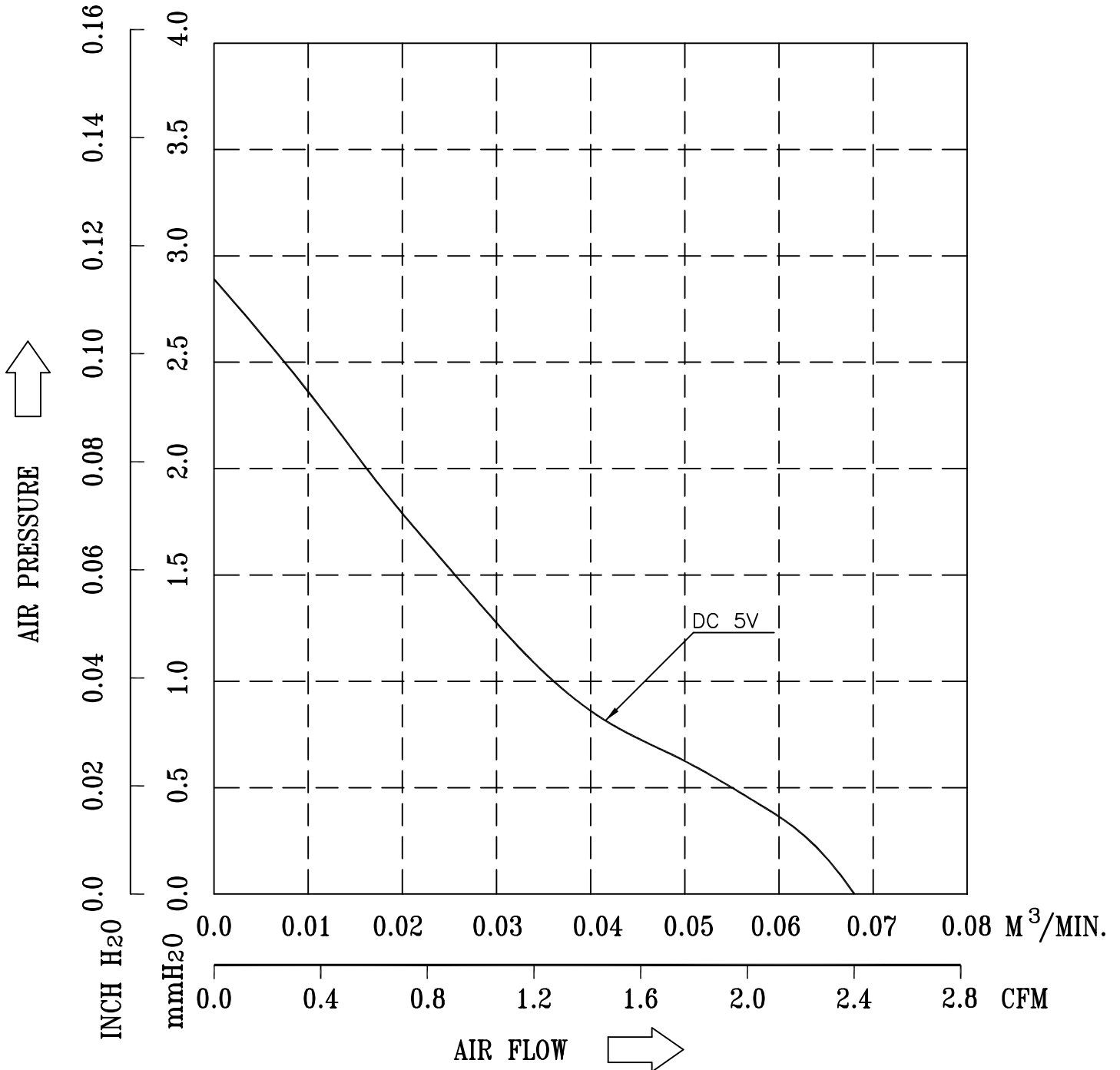
6. PRODUCTION LOCATION

- 6-1. PRODUCTS WILL BE PRODUCED IN CHINA.

PART NO:

DELTA MODEL: ASB02505HA-AXXX

7. P & Q CURVE:



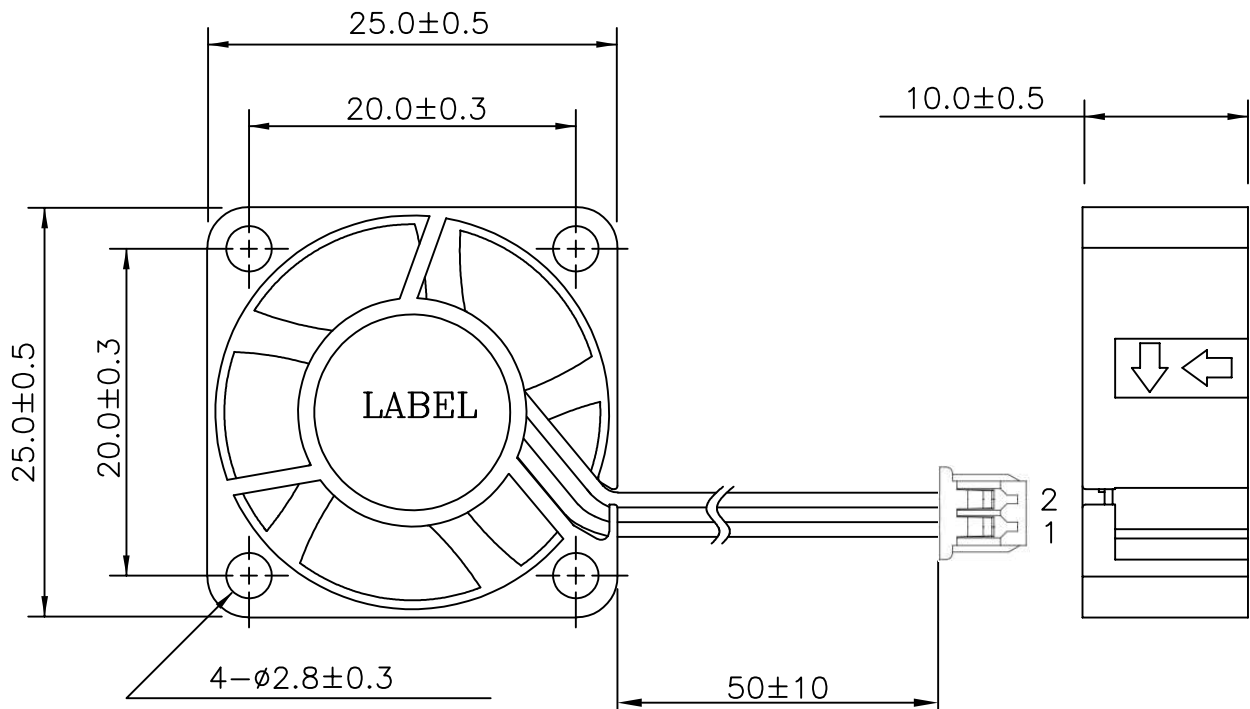
* TEST CONDITION: INPUT VOLTAGE ----- OPERATION VOLTAGE
TEMPERATURE ----- ROOM TEMPERATURE
HUMIDITY ----- 65%RH

PART NO:

DELTA MODEL: ASB02505HA-AXXX

8. DIMENSION DRAWING:

LABEL:



UNIT: mm

NOTE:

1. LEAD WIRE UL 1061 -F- AWG #26
PIN 1: RED WIRE---(+)
PIN 2: BLACK WIRE---(-)
2. HOUSING: YEONHO 12505HS-02 OR EQUIVALENT
3. TERMINAL: YEONHO 12505TS-1 OR EQUIVALENT
4. THIS PRODUCT IS RoHS COMPLIANT

X-ON Electronics

Largest Supplier of Electrical and Electronic Components

Click to view similar products for [AC Fans](#) category:

Click to view products by [Delta](#) manufacturer:

Other Similar products are found below :

[8850A](#) [A2D200-AA04-41](#) [A2E165-AA17-01](#) [AC430019H-012](#) [144LS-2282-010](#) [1500-FAN-01](#) [25.350.5253.0](#) [S2E250-AL06-70](#) [A2D210-AB10-05](#) [A2D240-AA02-02](#) [23241-3](#) [25.345.5353.0](#) [281DY-1LP14-000B](#) [344DY-1LP11-000](#) [39.703.0253.0](#) [USTF1203224VHW](#)
[3915100996-SA3](#) [3G2C7MC224](#) [W2D200-HH04-07](#) [W2S130-AA03-43](#) [S2E250-BB13-22](#) [8856N](#) [A2E170-AF23-11](#) [W4S250-CA20-56](#)
[W2S130-AB03-09](#) [5900](#) [C45-A7](#) [TAC12025230MT](#) [8550A](#) [8560N](#) [AD0405HB-G73\(9T\)](#) [CENT-2000-FFTM](#) [CENT-2000-RFTM](#) [W2D200-CA04-52](#) [W2S130-AB25-10](#) [A4E330-AB18-09](#) [W2E250-DB05-52](#) [W4E315-CS22-70](#) [W2E300-CP02-75](#) [S4S250-BA02-20](#) [S2D300-BP02-37](#) [W2S130-AB25-24](#) [W2D250-GA08-08](#) [A2E200-AH38-70](#) [TAC8025115HW](#) [F1238H24BT-FHR](#) [S2D300-CP02-34](#) [4118N/2H8PU-011](#)
[RLF100-1114-060](#) [AD3512MB-G5B](#)