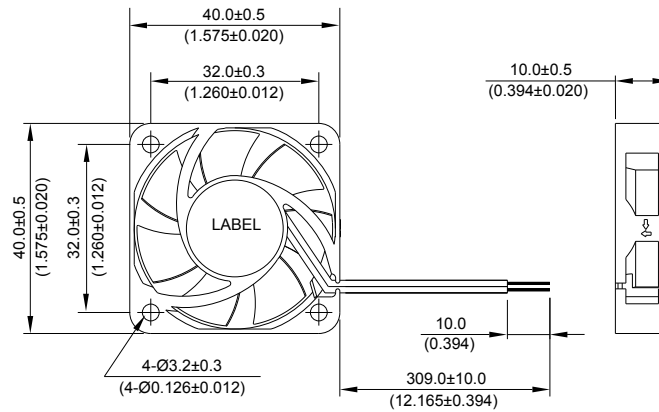


*New*



# ASB 40 x 40 x 10 MM SERIES

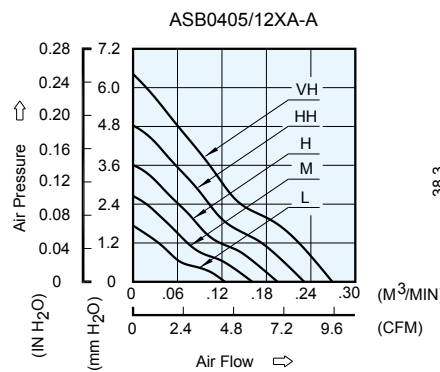
## DIMENSIONS DRAWING



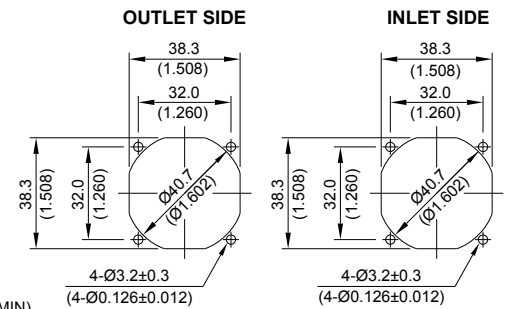
UNIT:  $\frac{\text{mm}}{\text{(INCH)}}$

- \* Bearing Type  
Sleeve Bearing
- \* Material  
Impeller & Frame : Plastic (UL 94V-0)
- \* Lead Wires :  
UL 1007 AWG #28 OR Equivalent  
Red Wire Positive (+)  
Black Wire Negative(-)
- \* Weight : 13.5g (0.49 oz)
- \* Rib Type Only

## P & Q CURVE (AT RATED VOLTAGE)



## MOUNTING PANEL CUTOUT



UNIT:  $\frac{\text{mm}}{\text{(INCH)}}$

MODEL			Rated Voltage	Operating Voltage Range	Rated Current	Rated Input Power	Speed	Maximum Air Flow		Maximum Air Pressure		Noise
PART NO.	REV.	FUNCTION	VDC	VDC	Amp	Watt	R.P.M.	m <sup>3</sup> /min	CFM	mmH <sub>2</sub> O	IN H <sub>2</sub> O	dB-A
ASB0405LA	-A	-R00 / -F00	5	4.0 to 5.5	0.05	0.25	4000	0.124	4.39	1.73	0.068	15.0
ASB0412LA	-A	-R00 / -F00	12	9.0 to 13.8	0.03	0.36						
ASB0405MA	-A	-R00 / -F00	5	4.5 to 5.5	0.07	0.35	5000	0.161	5.67	2.65	0.104	20.5
ASB0412MA	-A	-R00 / -F00	12	7.0 to 13.8	0.04	0.48						
ASB0405HA	-A	-R00 / -F00	5	4.5 to 5.5	0.10	0.50	6000	0.195	6.90	3.60	0.140	26.0
ASB0412HA	-A	-R00 / -F00	12	7.0 to 13.8	0.05	0.60						
ASB0405HHA	-A	-R00 / -F00	5	4.5 to 5.5	0.13	0.65	7000	0.231	8.15	4.83	0.190	29.5
ASB0412HHA	-A	-R00 / -F00	12	7.0 to 13.8	0.06	0.72						
ASB0405VHA	-A	-R00 / -F00	5	4.5 to 5.5	0.16	0.80	8000	0.269	9.50	6.42	0.253	32.5
ASB0412VHA	-A	-R00 / -F00	12	7.0 to 13.8	0.08	0.96						

\* Function type is optional.  
 \* The max. air flow and the speed are measured in free air ; max. air pressure is measured at zero air flow.  
 \* Noise is measured in anechoic chamber in free air, one meter from intake side.  
 \* All readings are typical values at rated voltage.  
 \* Specifications are subject to change without notice.

## X-ON Electronics

Largest Supplier of Electrical and Electronic Components

*Click to view similar products for [DC Fans](#) category:*

*Click to view products by [Delta](#) manufacturer:*

Other Similar products are found below :

[614R](#) [6424/2HP-210](#) [8312R](#) [DV4118/2NP-183](#) [AFB0948HH-S687](#) [PFB0824DHE-8B72](#) [G2E085-AA05-10](#) [RD20S-4/210660](#) [4318/12T](#)  
[4418HH](#) [AUB0912H-F00](#) [3412N/2ME](#) [K2E225-RA92-09](#) [4184N/2XR](#) [5214N2HH](#) [614J2HHPR-010](#) [8412NGL-12](#) [4114N/12HHR-297](#)  
[4656](#) [ZWR-903](#) [4112N12GL-175](#) [KD2406PKB2.\(2\).GN](#) [AFB1248HHE](#) [AFB1212LE-F00](#) [FAN-SCH-1](#) [MF60151V1-1000U-G99](#)  
[PF80252V1-1000U-G99](#) [PF92252V1-1000U-G99](#) [4112N/2H6P](#) [4114N/17-251](#) [6212NH](#) [622/2N](#) [712F-011](#) [8218J/2NP-181](#) [W1G180-AB47-](#)  
[15](#) [FAA1-12038NBKW31-A](#) [6318N/2TDP](#) [6318N/2H3PU](#) [6318HU](#) [424JMU](#) [PMD1206PTVX-A.U.GN](#) [PF80251B2-000U-F99](#)  
[EF40101BX-1000U-G99](#) [AD1224LB-A71GL](#) [9GA0924L4021](#) [9GA0924M4021](#) [9GA0924M4011](#) [9GA0824B20011](#) [9GA0812A2D0011](#)  
[9GA0912M4D011](#) [9GA0924W4D01](#)