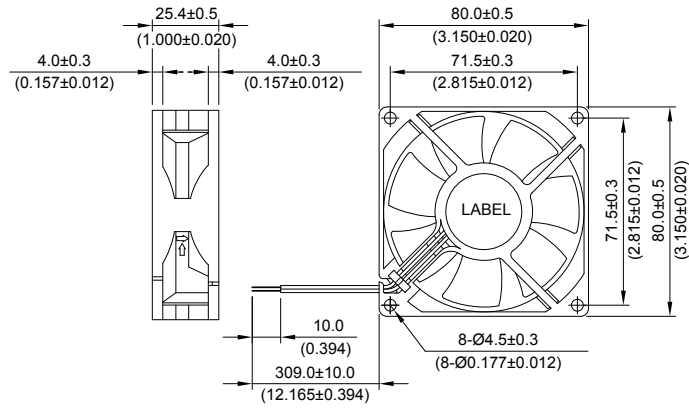


New



AUB 80 x 80 x 25.4 MM SERIES

■ DIMENSIONS DRAWING

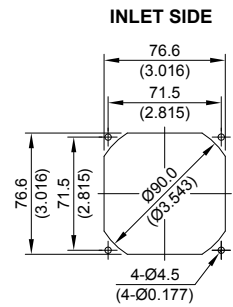
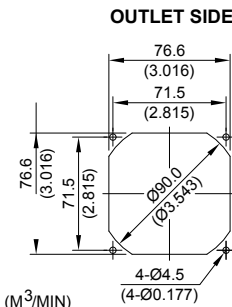
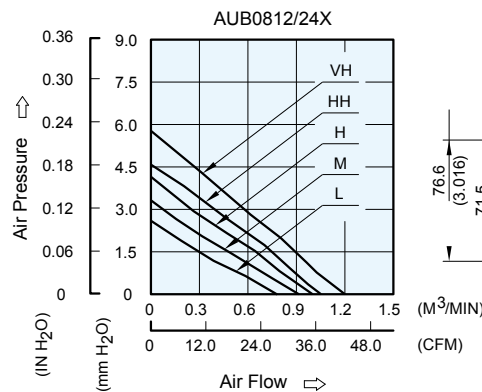


UNIT: $\frac{\text{mm}}{\text{INCH}}$

- * Bearing Type
Superflo Bearing
- * Material
Impeller & Frame : Plastic (UL 94V-0)
- * Lead Wires :
UL 1007 AWG #24 OR Equivalent
Red Wire Positive (+)
Black Wire Negative(-)
- * Weight : 88g (3.10 oz)

■ P & Q CURVE (AT RATED VOLTAGE)

■ MOUNTING PANEL CUTOUT



UNIT: $\frac{\text{mm}}{\text{INCH}}$

MODEL		Rated Voltage	Operating Voltage Range	Rated Current	Rated Input Power	Speed	Maximum Air Flow		Maximum Air Pressure		Noise
PART NO.	FUNCTION	VDC	VDC	Amp	Watt	R.P.M.	m ³ /min	CFM	mmH ₂ O	IN H ₂ O	dB-A
AUB0812L	-R00 / -F00	12	7.0 to 13.8	0.09	1.08	2400	0.790	27.90	2.59	0.102	25.0
AUB0824L	-R00 / -F00	24	14.0 to 27.6	0.05	1.20						
AUB0812M	-R00 / -F00	12	7.0 to 13.8	0.12	1.44	2700	0.890	31.43	3.28	0.129	28.0
AUB0824M	-R00 / -F00	24	14.0 to 27.6	0.06	1.44						
AUB0812H	-R00 / -F00	12	7.0 to 13.8	0.17	2.04	3000	1.000	35.31	4.04	0.159	31.0
AUB0824H	-R00 / -F00	24	14.0 to 27.6	0.07	1.68						
AUB0812HH	-R00 / -F00	12	7.0 to 13.8	0.21	2.52	3250	1.060	37.43	4.59	0.181	34.0
AUB0824HH	-R00 / -F00	24	14.0 to 27.6	0.10	2.40						
AUB0812VH	-R00 / -F00	12	7.0 to 13.8	0.22	2.64	3600	1.190	42.02	5.51	0.217	38.0
AUB0824VH	-R00 / -F00	24	14.0 to 27.6	0.11	2.64						

* Function type is optional.
 * The max. air flow and the speed are measured in free air ; max. air pressure is measured at zero air flow.
 * Noise is measured in anechoic chamber in free air, one meter from intake side.
 * All readings are typical values at rated voltage.
 * Specifications are subject to change without notice.

X-ON Electronics

Largest Supplier of Electrical and Electronic Components

Click to view similar products for [DC Fans](#) category:

Click to view products by [Delta](#) manufacturer:

Other Similar products are found below :

[614R](#) [AUB0612L](#) [AFB0948HH-S687](#) [G2E085-AA05-10](#) [4318/12T](#) [AUB0912H-F00](#) [3412N/2ME](#) [W2G110-AM39-01](#) [8412GLV](#) [8412NGL-12](#) [6448-384](#) [4114N/17-251](#) [4318/2R](#) [4412F/2D](#) [424JMU](#) [4414/2HH](#) [4112 N/12GL-175](#) [9GA0912F402](#) [9GA0812B20011](#)
[AFB0824SHBAV1](#) [DV5214/2NP-230](#) [9GA0912H4021](#) [THC1548MGDJJ](#) [9GA0812B2001](#) [GFB1224SHG](#) [8500NU](#) [9WG1212E101-E](#)
[3241.124](#) [DC0401012V2B-3T0](#) [ASFP14391](#) [ASFP64371](#) [ASFP64391](#) [ASFP84391](#) [ASFP92391](#) [9A0612G402](#) [AD5012HB-C71](#)
[AD5012MB-C71](#) [ASFP84372](#) [ASFP64372](#) [31100-000440-RS](#) [ASFP14372](#) [ASFP16371](#) [ASFP16372](#) [ASFP40770](#) [ASFP42770](#) [ASFP44770](#)
[ASFP64392](#) [ASFP82392](#) [ASFP84392](#) [ASFP92371](#)