

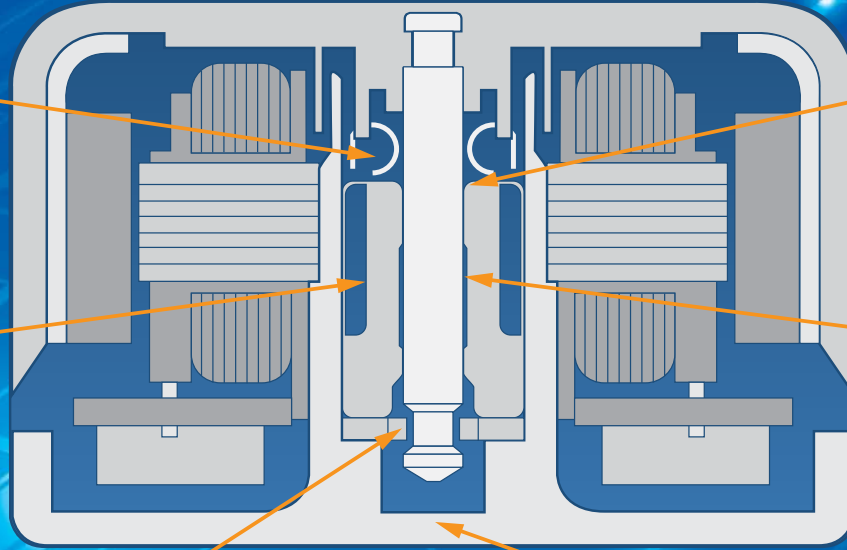
Superflo Fan Construction

Lubricant
Re-Cycling

Non-Friction

Lubricant
Storage Groove

Lubricant
Storage Groove



Non-Friction

Sealing



Superflo Bearing Fans

Extensively improved sleeve bearing system. Best value fan choice for performance desktop, workstation, and other consumer electronics.

- Redesigned sealing and oil flow paths
- Greatly reduced friction and noise
- Better acoustic performance over 2-ball bearing fans at low speed operation
- Superb anti-shock
- Operating life guarantee (L10) 50,000 hours at 40C minimum
- Wide applicable temperature range

www.delta-fan.com | dcfansales.us@deltaww.com

 **DELTA**
Smarter. Greener. Together.

Part Number	Dimension (mm)	Operating Voltage Range (VDC)	Voltage (VDC)	Bearing type	Current (A)	Power (W)	Speed (RPM)	Noise (dB-A)	Air Flow (CFM)	Air Pressure (in H2O)
AUB0412HDYFM	40x40x20	7.0~13.8	12V	superflo	0.08	0.96	6200	22	8.01	0.17
AUB0512HB	50x50x15	7.0~13.8	12V	superflo	0.1	1.2	5600	32	14.13	0.24
AUB0512HB-F00	50x50x15	7.0~13.8	12V	superflo	0.1	1.2	5600	32	14.13	0.24
AUB0512HHB-F00	50x50x15	7.0~13.8	12V	superflo	0.13	1.56	6400	36	16.24	0.32
AUB0512LB	50x50x15	7.0~13.8	12V	superflo	0.06	0.72	4000	24	9.89	0.13
AUB0512LB-AYCX	50x50x15	6.0~13.2	12V	Superflo	0.04	0.48	3800	20	10.02	0.1
AUB0512MB-F00	50x50x15	7.0~13.8	12V	superflo	0.08	0.96	4800	28	12.36	0.18
AUB0524HB	50x50x15	14.0~27.8	24V	superflo	0.07	1.68	5600	32	14.13	0.24
AUB0524HHB	50x50x15	14.0~27.8	24V	superflo	0.08	1.92	6400	36	16.24	0.32
AUB0524LB	50x50x15	14.0~27.8	24V	superflo	0.05	1.2	4000	24	9.89	0.13
AUB0524MB	50x50x15	14.0~27.8	24V	superflo	0.06	1.44	4800	28	12.36	0.18
AUB0505HD	50x50x20	4.5~5.5	5V	superflo	0.33	1.65	5600	28	17.13	0.23
AUB0512HHD	50x50x20	7.0~13.8	12V	superflo	0.09	1.08	6400	32.5	20.13	0.29
AUB0524HD	50x50x20	14.0~27.6	24V	superflo	0.07	1.68	5600	28	17.13	0.23
AUB0524HHD	50x50x20	14.0~27.6	24V	superflo	0.09	2.16	6400	32.5	20.13	0.29
AUB0524LD	50x50x20	14.0~27.6	24V	superflo	0.05	1.2	4000	18.5	12	0.11
AUB0524MD	50x50x20	14.0~27.6	24V	superflo	0.06	1.44	4800	24	14.83	0.17
AUB0524VHD	50x50x20	14.0~27.6	24V	superflo	0.1	2.4	7000	35.5	21.54	0.34
AUB0612HB-A	60x60x15	7.0~13.8	12V	superflo	0.06	0.72	3000	23.5	15.24	0.09
AUB0612HHB	60x60x15	7.0~13.8	12V	superflo	0.14	1.68	4500	35	17.3	0.2
AUB0612HHB-A	60x60x15	7.0~13.8	12V	superflo	0.13	1.56	4500	33	23.39	0.19
AUB0612HHB-F00	60x60x15	7.0~13.8	12V	superflo	0.14	1.68	4500	35	17.3	0.2
AUB0612HHB-R00	60x60x15	7.0~13.8	12V	superflo	0.14	1.68	4500	35	17.3	0.2
AUB0612LB-F00	60x60x15	7.0~13.8	12V	superflo	0.06	0.72	3000	24	11.55	0.09
AUB0612LB-R00	60x60x15	7.0~13.8	12V	superflo	0.06	0.72	3000	24	11.55	0.09
AUB0612MB-F00	60x60x15	7.0~13.8	12V	superflo	0.09	1.08	3500	29	13.45	0.12
AUB0612MB-R00	60x60x15	7.0~13.8	12V	superflo	0.09	1.08	3500	29	13.45	0.12
AUB0624HB	60x60x15	14~27.6	24V	superflo	0.06	1.44	4000	32	15.36	0.16
AUB0624HHB	60x60x15	14~27.6	24V	superflo	0.07	1.68	4500	35	17.3	0.2
AUB0624LB	60x60x15	14~27.6	24V	superflo	0.04	0.96	3000	24	11.55	0.09
AUB0624MB	60x60x15	14~27.6	24V	superflo	0.05	1.2	3500	29	13.45	0.12
EUB0612VHB	60x60x15	7.0~13.8	12V	superflo	0.18	2.16	5000	35.5	23.2	0.26
AUB0612H	60x60x25	7.0~13.8	12V	superflo	0.12	1.44	4250	28	19.42	0.19
AUB0612H-A	60x60x25	4.0~13.8	12V	superflo	0.13	1.56	4200	35	21.19	0.2
AUB0612H-F00	60x60x25	7.0~13.8	12V	superflo	0.12	1.44	4250	28	19.42	0.19
AUB0612HH-A	60x60x25	4.0~13.8	12V	superflo	0.2	2.4	5000	40	25.43	0.28
AUB0612HH-AF00	60x60x25	4.0~13.8	12V	superflo	0.2	2.4	5000	40	25.43	0.28
AUB0612L-A	60x60x25	4.0~13.8	12V	superflo	0.07	0.84	3100	26.5	13.77	0.1
AUB0612M-A	60x60x25	4.0~13.8	12V	superflo	0.09	1.08	3600	31	18.36	0.15
AUB0612VH-AF00	60x60x25	4.0~13.8	12V	superflo	0.24	2.88	5500	42.5	29.31	0.35
AUB0612VH-AIT	60x60x25	4.0~13.8	12V	superflo	0.24	2.88	5500	42.5	29.31	0.35
AUB0712H-A	70x70x25	5.0~13.8	12V	superflo	0.2	2.4	3900	36	36.02	0.26
AUB0712L-A	70x70x25	5.0~13.8	12V	superflo	0.09	1.08	2300	24.5	19.78	0.09
AUB0812HB-AR00	80x80x15	5.0~13.8	12V	superflo	0.15	1.8	3100	35	36.36	0.14
AUB0812LB-AR00	80x80x15	5.0~13.8	12V	superflo	0.1	1.2	2400	27	27.53	0.08
AUB0812VHB-AF00	80x80x15	5.0~13.2	12V	superflo	0.25	3	3700	40.5	42.71	0.19
AUB0824HB-A	80x80x15	10.0~27.6	24V	superflo	0.1	2.4	3100	35	36.36	0.14
AUB0824HHB-A	80x80x15	10.0~27.6	24V	superflo	0.12	2.88	3400	38	39.18	0.17
AUB0824MB-A	80x80x15	10.0~27.6	24V	superflo	0.08	1.92	2700	31	31.42	0.11
AUB0812HHDXHN	80x80x20	10.8~12.6	12V	Superflo	0.3	3.6	4500	43	51.46	0.29
AUB0812H-A	80x80x25	7.0~13.8	12V	superflo	0.18	2.16	3000	34	38.83	0.18
AUB0812H-AF00	80x80x25	7.0~13.8	12V	superflo	0.18	2.16	3000	34	38.83	0.18
AUB0812HH-A	80x80x25	7.0~13.8	12V	superflo	0.21	2.52	3250	35.5	42.36	0.21
AUB0812L-9X41	80x80x25	10.8~13.8	12V	superflo	0.09	1.08	2400	25	27.9	0.1
AUB0812L-A	80x80x25	7.0~13.8	12V	superflo	0.11	1.32	2400	28	31.06	0.12
AUB0812M-A	80x80x25	7.0~13.8	12V	superflo	0.15	1.8	2700	32	35.3	0.15
AUB0812VH-A	80x80x25	7.0~13.8	12V	superflo	0.27	3.24	3600	39	46.6	0.26
AUB0812VH-AF00	80x80x25	7.0~13.8	12V	superflo	0.27	3.24	3600	39	46.6	0.26
AUB0812VH-AIT	80x80x25	7.0~13.8	12V	superflo	0.27	3.24	3600	39	46.6	0.26
AUB0812VH-SP00	80x80x25	10.8~13.2	12V	superflo	0.19	2.28	3600	39	42.02	0.22
AUB0912H-A	92x92x25	5.0~13.8	12V	superflo	0.21	2.52	2800	38	59.89	0.19
AUB0912H-C	92x92x25	7.0~13.8	12V	superflo	0.25	3	2800	38	56.66	0.18
AUB0912HH-CF00	92x92x25	7.0~13.8	12V	superflo	0.33	3.96	3200	41	62.13	0.22
AUB0912L-C	92x92x25	7.0~13.8	12V	superflo	0.11	1.32	2000	27	39.36	0.09
AUB0912M-C	92x92x25	7.0~13.8	12V	superflo	0.16	1.92	2400	33	46.81	0.13
AUB0912VH-CF00	92x92x25	7.0~13.8	12V	superflo	0.4	4.8	3600	45	72.01	0.29
AUB0912VH-CX09	92x92x25	10.8~13.2	12V	superflo	0.38	4.56	3800	45	67.8	0.3
AUB0924VH-A	92x92x25	14.0~26.4	24V	superflo	0.25	6	3800	46	81.47	0.35
AUB1212H-CK15	120x120x25	10.8~13.2	12V	superflo	0.27	3.24	2200	38	88.6	0.16

Design and specifications are subject to change without notice.

Rev. 10/2018

Contact us about your next project. | dcfansales.us@deltaww.com | (866) 407-4278 | www.delta-fan.com

X-ON Electronics

Largest Supplier of Electrical and Electronic Components

Click to view similar products for [DC Fans](#) category:

Click to view products by [Delta](#) manufacturer:

Other Similar products are found below :

[614R](#) [6424/2HP-210](#) [8312R](#) [DV4118/2NP-183](#) [AFB0948HH-S687](#) [PFB0824DHE-8B72](#) [G2E085-AA05-10](#) [RD20S-4/210660](#) [4318/12T](#)
[4418HH](#) [AUB0912H-F00](#) [3412N/2ME](#) [K2E225-RA92-09](#) [4184N/2XR](#) [5214N2HH](#) [614J2HHPR-010](#) [8412NGL-12](#) [4114N/12HHR-297](#)
[4656](#) [ZWR-903](#) [4112N12GL-175](#) [KD2406PKB2.\(2\).GN](#) [AFB1248HHE](#) [AFB1212LE-F00](#) [FAN-SCH-1](#) [MF60151V1-1000U-G99](#)
[PF80252V1-1000U-G99](#) [PF92252V1-1000U-G99](#) [4112N/2H6P](#) [4114N/17-251](#) [6212NH](#) [622/2N](#) [712F-011](#) [8218J/2NP-181](#) [W1G180-AB47-](#)
[15](#) [FAA1-12038NBKW31-A](#) [6318N/2TDP](#) [6318N/2H3PU](#) [6318HU](#) [424JMU](#) [PMD1206PTVX-A.U.GN](#) [PF80251B2-000U-F99](#)
[EF40101BX-1000U-G99](#) [AD1224LB-A71GL](#) [9GA0924L4021](#) [9GA0924M4021](#) [9GA0924M4011](#) [9GA0824B20011](#) [9GA0812A2D0011](#)
[9GA0912M4D011](#) [9GA0924W4D01](#)