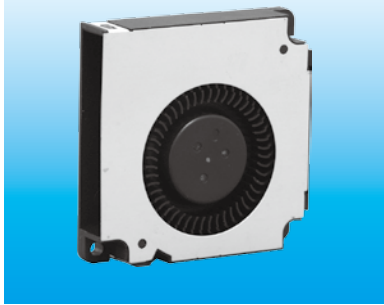
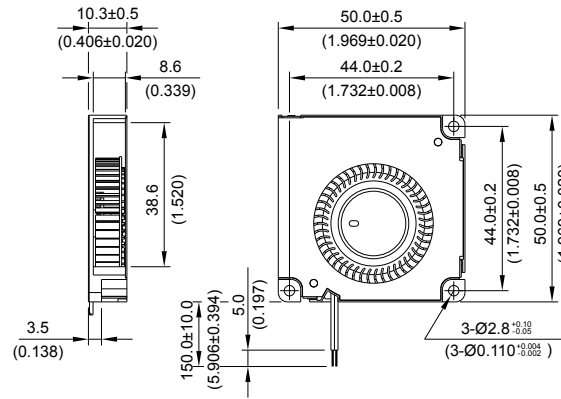


New



BFB 50 x 50 x 10 MM SERIES

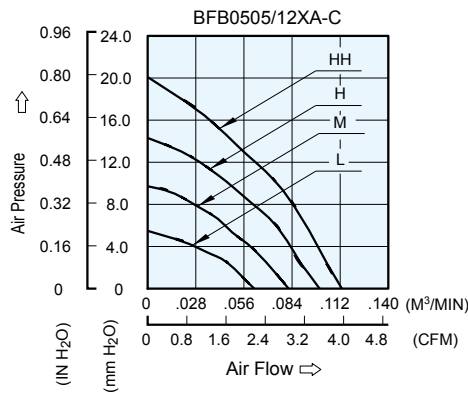
DIMENSIONS DRAWING



UNIT : mm
(INCH)

- * Bearing Type
Ball Bearings
- * Material
Impeller & Frame : Plastic (UL 94V-0)
- * Lead Wires :
UL 1571 AWG #28 OR Equivalent
Red Wire Positive(+)
Black Wire Negative(-)
- * Weight : 22.5g (0.79 oz)

P & Q CURVE (AT RATED VOLTAGE)



| MODEL | | | Rated Voltage | Operating Voltage Range | Input Current | Input Power | Speed | Maximum Air Flow | | Maximum Air Pressure | | Noise |
|------------|------|-------------|---------------|-------------------------|---------------|-------------|--------|---------------------|------|----------------------|---------------------|-------|
| PART NO. | REV. | FUNCTION | VDC | VDC | Amp | Watt | R.P.M. | m ³ /min | CFM | mmH ₂ O | IN H ₂ O | dB-A |
| BFB0505LA | -C | -R00 / -F00 | 5 | 3.5 to 5.5 | 0.06 | 0.30 | 3500 | 0.062 | 2.18 | 5.48 | 0.208 | 22.5 |
| BFB0512LA | -C | -R00 / -F00 | 12 | 7.0 to 13.2 | 0.05 | 0.60 | | | | | | |
| BFB0505MA | -C | -R00 / -F00 | 5 | 3.5 to 5.5 | 0.10 | 0.50 | 4300 | 0.082 | 2.89 | 9.72 | 0.383 | 28.0 |
| BFB0512MA | -C | -R00 / -F00 | 12 | 7.0 to 13.2 | 0.07 | 0.84 | | | | | | |
| BFB0505HA | -C | -R00 / -F00 | 5 | 3.0 to 5.5 | 0.18 | 0.90 | 5100 | 0.100 | 3.53 | 14.31 | 0.563 | 32.5 |
| BFB0512HA | -C | -R00 / -F00 | 12 | 5.0 to 13.2 | 0.12 | 1.44 | | | | | | |
| BFB0505HHA | -C | -R00 / -F00 | 5 | 3.0 to 5.5 | 0.26 | 1.30 | 5900 | 0.113 | 3.98 | 20.09 | 0.790 | 37.5 |
| BFB0512HHA | -C | -R00 / -F00 | 12 | 5.0 to 13.2 | 0.16 | 1.92 | | | | | | |

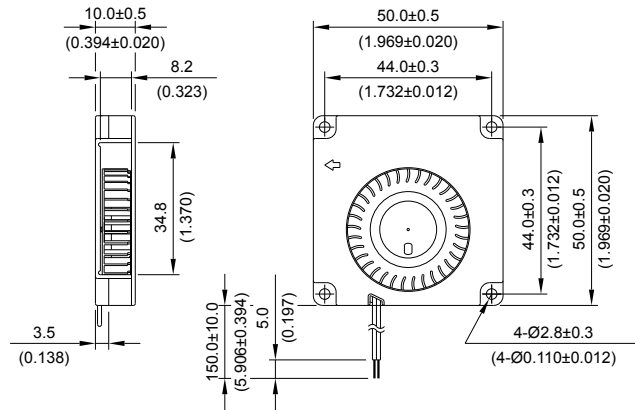
* Function type is optional.
 * The max. air flow and the speed are measured in free air ; max. air pressure is measured at zero air flow.
 * Noise is measured in anechoic chamber in free air, one meter from intake side.
 * All readings are typical values at rated voltage.
 * Specifications are subject to change without notice.

New



BFB 50 x 50 x 10 MM SERIES

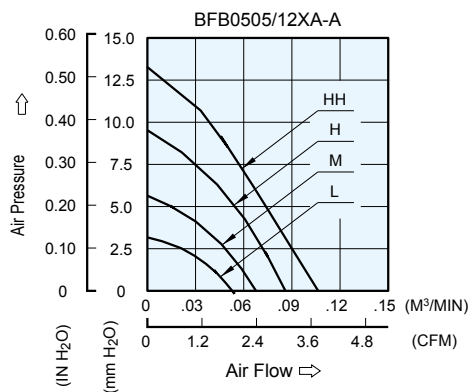
■ DIMENSIONS DRAWING



UNIT : $\frac{\text{mm}}{\text{INCH}}$

- * Bearing Type
Ball Bearings
- * Material
Impeller & Frame : Plastic (UL 94V-0)
- * Lead Wires :
UL 1571 AWG #28 OR Equivalent
Red Wire Positive(+)
Black Wire Negative(-)
- * Weight : 16.5g (0.58 oz)

■ P & Q CURVE (AT RATED VOLTAGE)



| MODEL | | | Rated Voltage | Operating Voltage Range | Input Current | Input Power | Speed | Maximum Air Flow | | Maximum Air Pressure | | Noise |
|------------|------|-------------|---------------|-------------------------|---------------|-------------|--------|----------------------|------|----------------------|---------------------|-------|
| PART NO. | REV. | FUNCTION | VDC | VDC | Amp | Watt | R.P.M. | m ³ / min | CFM | mmH ₂ O | IN H ₂ O | dB-A |
| BFB0505LA | -A | -R00 / -F00 | 5 | 4.0 to 5.5 | 0.05 | 0.25 | 3500 | 0.053 | 1.87 | 3.18 | 0.125 | 22.5 |
| BFB0512LA | -A | -R00 / -F00 | 12 | 7.0 to 13.2 | 0.04 | 0.48 | | | | | | |
| BFB0505MA | -A | -R00 / -F00 | 5 | 4.0 to 5.5 | 0.07 | 0.35 | 4500 | 0.068 | 2.40 | 5.64 | 0.222 | 28.0 |
| BFB0512MA | -A | -R00 / -F00 | 12 | 7.0 to 13.2 | 0.05 | 0.60 | | | | | | |
| BFB0505HA | -A | -R00 / -F00 | 5 | 4.0 to 5.5 | 0.12 | 0.60 | 5500 | 0.086 | 3.04 | 9.47 | 0.373 | 32.5 |
| BFB0512HA | -A | -R00 / -F00 | 12 | 7.0 to 13.2 | 0.08 | 0.96 | | | | | | |
| BFB0505HHA | -A | -R00 / -F00 | 5 | 4.0 to 5.5 | 0.16 | 0.80 | 6500 | 0.110 | 3.88 | 13.43 | 0.529 | 37.5 |
| BFB0512HHA | -A | -R00 / -F00 | 12 | 7.0 to 13.2 | 0.09 | 1.08 | | | | | | |

* Function type is optional.
 * The max. air flow and the speed are measured in free air ; max. air pressure is measured at zero air flow.
 * Noise is measured in anechoic chamber in free air, one meter from intake side.
 * All readings are typical values at rated voltage.
 * Specifications are subject to change without notice.

X-ON Electronics

Largest Supplier of Electrical and Electronic Components

Click to view similar products for [Blowers & Centrifugal Fans](#) category:

Click to view products by [Delta](#) manufacturer:

Other Similar products are found below :

[MKEL-DRB](#) [R2D140-AB02-14](#) [R2D160-AC02-13](#) [R4D310-AS18-01](#) [R4D400-AD22-06](#) [R4E180-AS11-09](#) [R4S175-AA16-12](#) [AIF60112](#)
[AIF801724](#) [RLF35-812N2P-103](#) [DOP-EXI014RAE](#) [KFB1724VHT-AF00](#) [KFC1048DS-S45D](#) [AIF641714](#) [CME-COP01](#) [R1G220-AB07-09](#)
[R2E180CH0312](#) [R2S150-AD08-09](#) [RD20S-4/210660](#) [RH56M-6/204689](#) [D2E146-CD51-09](#) [TP04G-AS2](#) [TP05G-BT2](#) [TP-PCC](#) [BR200W250](#)
[D4E133-AA01-51](#) [D4E133-DH61-D1](#) [DFD0612H/SPECTRA](#) [DOP-EXI028RAE](#) [55462.19890](#) [K1G200-AA73-02](#) [G2D160-AF02-01](#)
[G2E150-BA52-07](#) [G2S150-AB56-42](#) [D4E225-BC01-02](#) [R2D225-AV02-14](#) [D2E146-HT67-63](#) [K1G220-AA67-02](#) [G2E140-AG02-05](#)
[R3G190-AB23-02](#) [55410.91750](#) [55462.19891](#) [G3G160-AC70-01](#) [R1G120-AD17-11](#) [R3G250-AM70-01](#) [R2E225-RA02-47](#) [RER225-](#)
[63/18/2TDMP](#) [R4E310-AO12-14](#) [D2E146-HT65-64](#) [RLF100-11/14/19](#)