



Digitized Automation for a Changing World

Delta Industrial Camera DMV-C Series



**High-speed, High Performance &
High Stability**

www.deltaww.com

Delta Industrial Camera

DMV-C Series

- Supports exposure time and white balance settings
- Gamma correction and LUT, Gain
- Software trigger, external I/O trigger and continuous capture
- User-defined ROI and mirror output
- GigE Vision 2.0 compliant
- 64 MB image cache memory
- CE, KC, UL and RoHS certified



DMV-CC/CX

- CMOS sensor
- Resolution : 0.4 M ~ 5 M
- Global shutter

DMV-CL

- CMOS sensor
- Resolution : 0.4 M ~ 20 M
- Global shutter, Rolling shutter

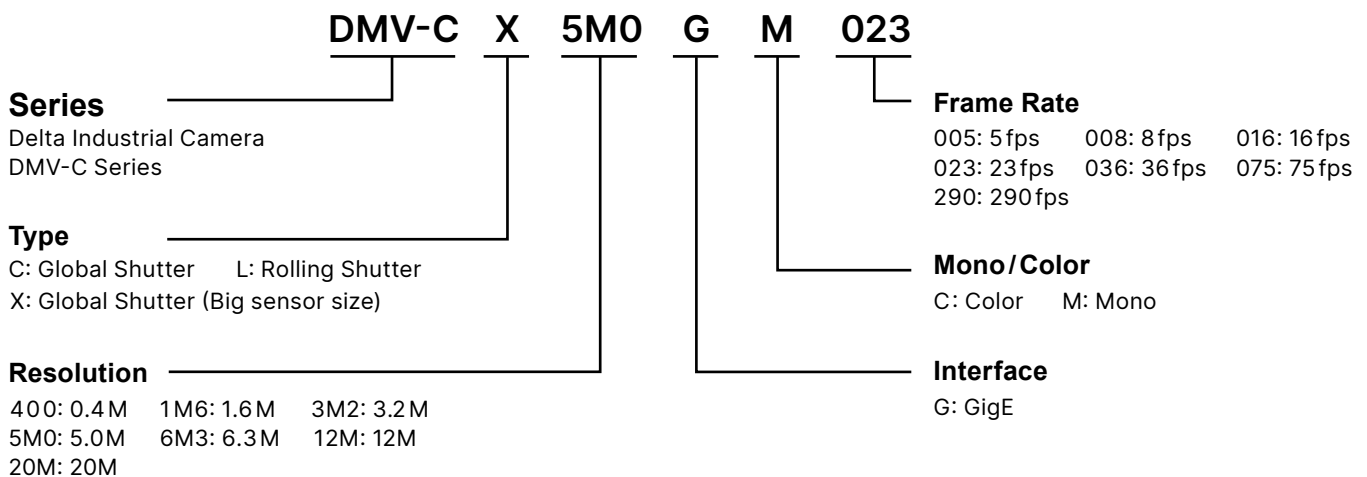
General Specifications

Interface	10/100/1,000 Mbps Ethernet, compliant with GigE Vision 2.0 standard
Trigger	Software, external input (via the I/O connector)
Capture	Single, multiple, continuous
Power Consumption	3.5 W
Power Supply	DC 12 ~ 24 V or PoE (IEEE 802.3af)
Dimensions	45 × 29 × 29 mm
Weight	92 g
Mount Type	C-Mount connector
Temperature	Storage: -20 ~ 85 °C, Operating: 0 ~ 45 °C
Certification	CE, KC, UL, RoHS, IP30
Driver	DMV-SDK or 3 rd party software compliant with GigE Vision 2.0
Compatible OS	Windows 10 x86/ x64, Ubuntu 16.04 or above

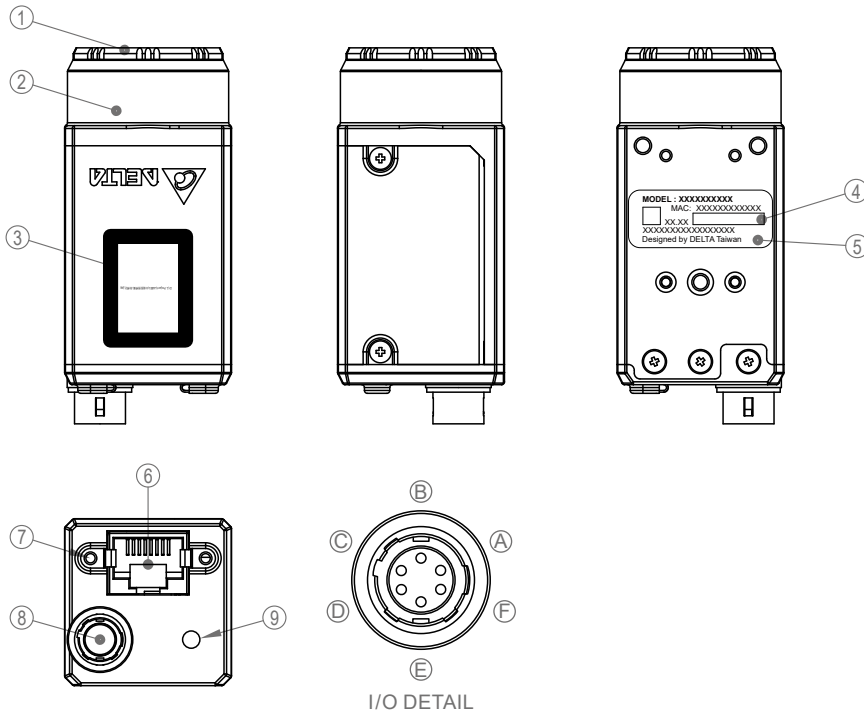
Product Specifications

Model	Sensor Model	Resolution (W×H)	Optical Size (inch)	Shutter	Exposure Time	Pixel Size (um)	FPS	Mono/Color	Pixel Format	GPIO	
DMV-CC400GM290	IMX287	720 × 540	1/2.9	Global	20 us ~ 1 s	6.9	290	Mono	Mono (12,10,8) Bayer (12,10,8)	Isolated Input × 1 Isolated Output × 2	
DMV-CC400GC290								Color			
DMV-CC1M6GM075	IMX273	1,440 × 1,080	1/1.8			3.45	75	36			Mono
DMV-CC1M6GC075											Color
DMV-CC3M2GM036	IMX265	2,048 × 1,536	2/3			2	23	16			Mono
DMV-CC3M2GC036											Color
DMV-CX5M0GM023	IMX264	2,448 × 2,048	1/2.8			2.4	8	5			Mono
DMV-CX5M0GC023											Color
DMV-CL5M0GM023	IMX335	2,592 × 1,944	1/1.7			1.85	8	5			Mono
DMV-CL5M0GC023											Color
DMV-CL6M3GM016	IMX178	3,072 × 2,048	1	2.4	8	5	Mono				
DMV-CL6M3GC016							Color				
DMV-CL12MGM008	IMX226	4,000 × 3,000	Rolling	1.85	8	5	Mono				
DMV-CL12MGC008							Color				
DMV-CL20MGM005	IMX183	5,472 × 3,648	1	2.4	8	5	Mono				
DMV-CL20MGC005							Color				

Ordering Information

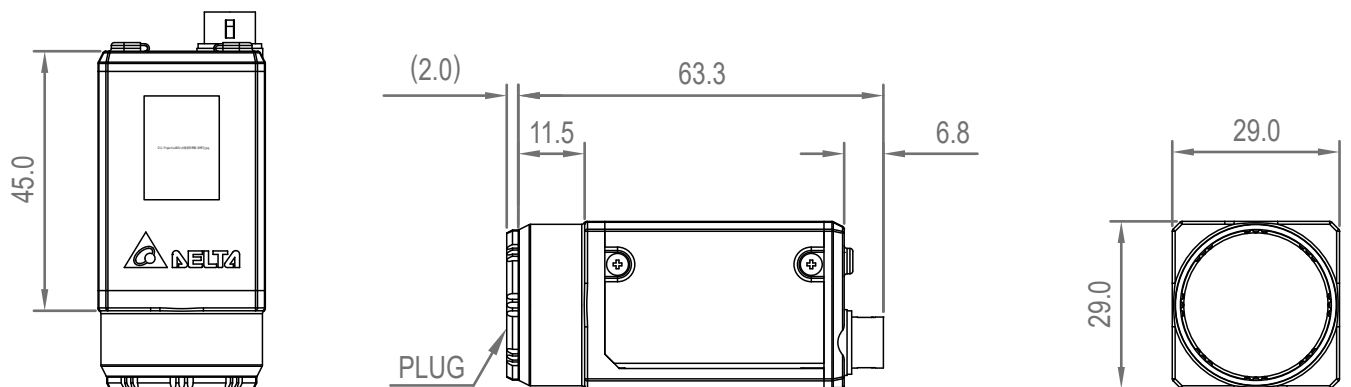


Parts Information



No.	Item
(1)	Lens Cover
(2)	C - Mount Connector
(3)	Delta Service QR Code
(4)	MAC ID
(5)	Product Label
(6)	RJ45 Connector
(7)	RJ45 Threaded Hole (M2 × 0.4 ↓ 4)
(8)	I/O Connector
(9)	Indicator
(A)	Power Input (Brown Wire)
(B)	Line 1 (In, Red /White Wire)
(C)	Line 3 (Out, White Wire)
(D)	Line 2 (Out, Black Wire)
(E)	I/O COM (Red /Black Wire)
(F)	Ground (Blue Wire)

Dimensions



Industrial Automation Headquarters

Delta Electronics, Inc.

Taoyuan Technology Center

No.18, Xinglong Rd., Taoyuan District,

Taoyuan City 33068, Taiwan

TEL : 886-3-362-6301/FAX: 886-3-371-6301

DELTA_IA-DMV-DMV-C_F_EN_20221208



X-ON Electronics

Largest Supplier of Electrical and Electronic Components

Click to view similar products for [Cameras & Camera Modules](#) category:

Click to view products by [Delta](#) manufacturer:

Other Similar products are found below :

[73-540-420I](#) [82635DSASRPRQ 951913](#) [Web Camera module 5.0M pixel FIT0729](#) [LI-USB30-OX05B1S-VCSEL-OMS-96717-200H](#) [LI-AR1335C-MIPI-097H](#) [108674](#) [LI-USB30-IMX490-GMSL2-120H](#) [LI-USB30-OV2312-GMSL2-110H](#) [LI-IMX675-MIPI-076H](#) [82635DSD456](#) [LI-IMX424-GW5400-FPDLINKIII-120H](#) [LI-AR0234CS-GMSL2-OWL](#) [5390](#) [5389](#) [106681](#) [106752](#) [107654](#) [107402](#) [1202](#) [1203](#) [AC164150](#) [2392](#) [106695](#) [106988](#) [107139](#) [107146](#) [MIPI 5MP IR AF Camera](#) [106732](#) [LI-USB30-AR023ZWDR](#) [LI-USB30-OV13850](#) [LI-OV580-STEREO](#) [LI-OV2640-USB-M6](#) [LI-OV5640-MIPI-AF-NIR](#) [82635DSASMDLPRQ](#) [106692](#) [106687](#) [106493](#) [106688](#) [106682](#) [107115](#) [106694](#) [106989](#) [107149](#) [106693](#) [106696](#) [106684](#) [106683](#) [107140](#) [106982](#)