

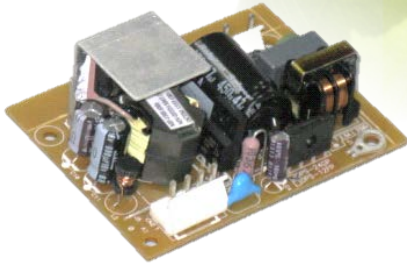
50(W) x 27 (H) x 75(L) mm

DPS-24GP A

FEATURES

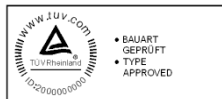
- Total power 24W
- 90-264Vac auto range input
- High reliability: >100,000 hours @ full load and normal input (25 °C)
- Protection: Short / Over-current / Over-voltage / Over-temperature
- CCC: 5000 meter
- Bulk Cap: JP Type
- Safety: UL/cUL, TUV, CB by Demko ,CCC
- EMI: CLASS B

Input	Voltage range	90~264Vac auto range
	Frequency	47~63Hz
	Efficiency	The average efficiency at 25%, 50%, 75% and 100% load \geq 82%
	Input Current	90~132Vac /12V/2A load \leq 1A 180~264Vac / 12V/2A load \leq 0.5A
Output	12V	0A to 2A
Protection	Over-current	Auto recovery
	Over-temperature	Auto recovery
	Short	Auto recovery
	Over-voltage	Auto recovery
Environment	Operating temp.	0 to 50°C Full load,60°C 80% load,70°C 60% load,
	Storage temp.	-20 to 70°C
	Operating humidity	10% - 90%
	Storage humidity	10% - 95%



DPS-24GP A

Safety Standards/Directives	Electrical Safety		UL/cUL, TUV, CB by Demko , CCC,CE, KC,BSMI refer to EN 60950-1	
	CE		In conformance with EMC Directive 2004/108/EC and Low Voltage Directive 2006/95/EC	
	EMC		EMI: refer to CISPR 22 ,FCC ,VCCI:CLASS B	
			ESD(IEC61000-4-2)	Air Discharge: $\pm 8KV$ min
				Contact Discharge: $\pm 4KV$ min.
			EFT(IEC61000- 4-4)	+/- 1KV
			Surge(IEC61000-4-5)	Common Mode: +/- 2KV
Different Mode: +/- 1KV				
Isolation	Input to Output	3.0KVac		



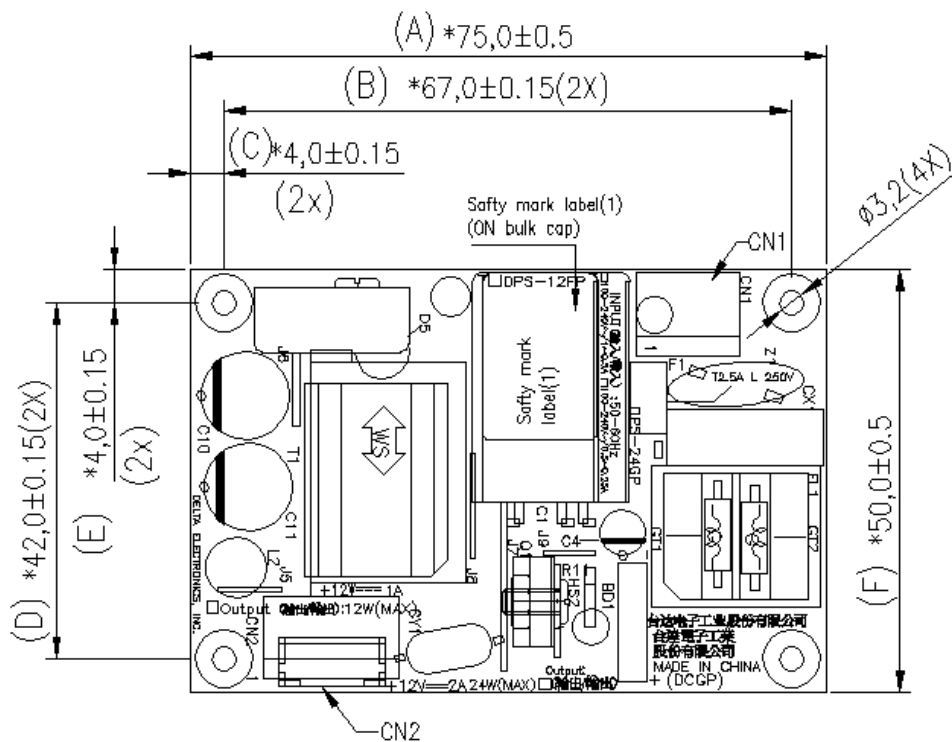
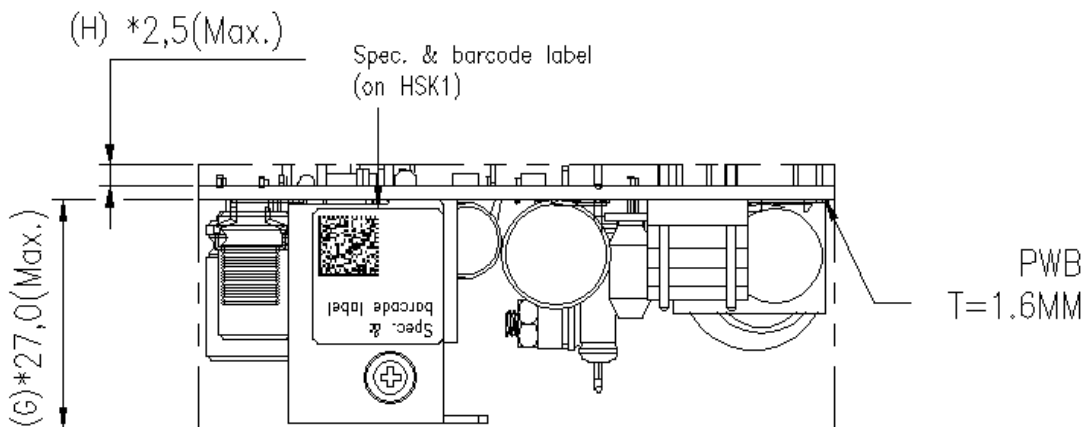
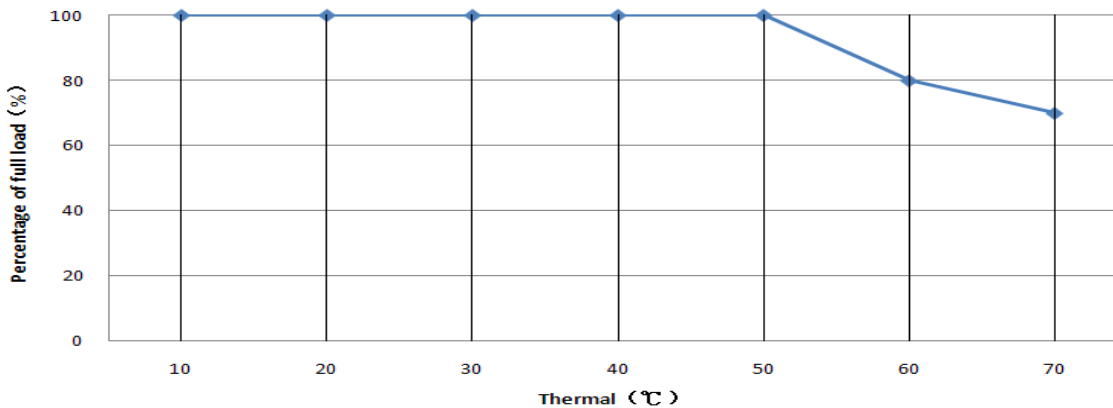
DELTA ELECTRONICS, INC.
 3, TUNG YUAN ROAD, CHUNGLI
 INDUSTRIAL ZONE
 TAOYUAN SHIEH, TAIWAN, R.O.C.
 TEL: 886-3-4526107
 FAX: 886-3-4527314
 mail: powersales@delta.com.tw

DELTA PRODUCTS CORPORATION
 4405 CUSHING PARKWAY
 FREMONT, CA 94538, U.S.A.
 TEL: 1-510-668-5100
 FAX: 1-510-668-0680

DELTA ELECTRONICS(JAPAN) INC.
 DELTA SHIBADAIMON BLDG.
 2-1-14 SHIBADAIMON, MINATO-KU,
 TOKYO, 105-0012, JAPAN
 TEL: 81-3-5733-1111
 FAX: 81-3-5733-1211

DELTA ELECTRONICS, EUROPE LTD.
 2 YOUNG PLACE KELVIN
 INDUSTRIAL ESTATE EAST KILBROIDE,
 GLASGOW G75 OTD, U.K.
 TEL: 44-1355-588888
 FAX: 44-1355-588889

Power de-rating curve



DELTA ELECTRONICS, INC.
3, TUNG YUAN ROAD, CHUNGLI
INDUSTRIAL ZONE
TAOYUAN SHIEH, TAIWAN, R.O.C.
TEL: 886-3-4526107
FAX: 886-3-4527314
mail: powersales@delta.com.tw

DELTA PRODUCTS CORPORATION
4405 CUSHING PARKWAY
FREMONT, CA 94538, U.S.A.
TEL: 1-510-668-5100
FAX: 1-510-668-0680

DELTA ELECTRONICS(JAPAN) INC.
DELTA SHIBADAIMON BLDG.
2-1-14 SHIBADAIMON, MINATO-KU,
TOKYO, 105-0012, JAPAN
TEL: 81-3-5733-1111
FAX: 81-3-5733-1211

DELTA ELECTRONICS, EUROPE LTD.
2 YOUNG PLACE KELVIN
INDUSTRIAL ESTATE EAST KILBROIDE,
GLASGOW G75 OTD, U.K.
TEL: 44-1355-588888
FAX: 44-1355-588889

X-ON Electronics

Largest Supplier of Electrical and Electronic Components

Click to view similar products for [delta manufacturer](#):

Other Similar products are found below :

[PJT12V40WBAB](#) [MKEL-DRB](#) [PFB1224UHE-T50F](#) [PL01S2412A](#) [PMB-24V50W1AA](#) [PS75-12VDC-PULL-CONT](#) [1316038K66E000](#)
[DOP-EXI014RAE](#) [DRP024V480W3BN](#) [DRP048V240W1BN](#) [DSVP10-VITON-DIAPHRAGM](#) [DTB4824LV](#) [DTB4848LV](#) [DTB4896CR](#)
[DTB4896VRE](#) [DTB9696CVE](#) [DTB9696LVE](#) [DVP01PU-S](#) [DVP06XA-S](#) [DVP08SN11T](#) [DVP08SP11R](#) [DVDPNET-SL](#) [DVPDT01-S](#)
[EFB0412HHA](#) [BUE-20015](#) [IFD8520](#) [1-NPO/603-1339](#) [20114-80](#) [20310-80](#) [900-\(1C\)-30A-12VDC](#) [166-DPDT-13A-6VDC](#) [ADP485-01](#)
[AFB0412MA](#) [FFB1212VHE-F00](#) [1-NPO/603-1326](#) [20243-81](#) [23595-73](#) [PMC-12V150W1BA](#) [CME-COP01](#) [31000-82](#) [310-4PDT-10A-](#)
[110VAC](#) [32003-81](#) [32007-82](#) [32007-84](#) [320-4PDT-3A-110VAC](#) [320-4PDT-3A-24VAC](#) [TP05G-BT2](#) [TP-PCC](#) [31003-82](#) [31004-84](#)