

# CliQ II DIN Rail Power Supply

## 24 V 120 W 3 Phase / DRP024V120W3B□



### Highlights & Features

- Universal AC input voltage range
- Power will not de-rate for the entire input voltage range
- Power Boost of 150% for 5 seconds
- Full corrosion resistant aluminium casing
- Conforms to harmonic current IEC/EN 61000-3-2, Class A
- Extreme low temperature cold start at -40°C
- Conformal coating on PCBAs to protect against common dust and chemical pollutants
- Hazardous Locations approval to ATEX and Class I, Div 2 (DRP024V120W3BA)
- Certified according to IEC/EN/UL 62368-1

### Safety Standards



CB Certified for worldwide use

**Model Number:** DRP024V120W3B□  
**Unit Weight:** 0.66 kg (1.46 lb)  
**Dimensions (L x W x D):** 121 x 50 x 117.3 mm  
 (4.76 x 1.97 x 4.62 inch)

### General Description

The CliQ II 3-phase DIN rail power supply series offers output voltage of 24 V. These products are encased in rugged yet lightweight full aluminium body that can withstand shock and vibration according to IEC 60068-2 standard. The series of 3-phase products can operate over a wide temperature range of -25°C to +80°C. These products also feature universal AC input voltage range for 3-phase from 320 Vac to 600 Vac or 2-phase from 360 Vac to 600 Vac, and the power will not de-rate throughout the entire range. Another great feature is the conformal coating on the PCBA which allows selected models to be certified to ATEX and Class I, Div 2 for use in hazardous locations. The design conforms to harmonic current emission IEC/EN 61000-3-2, Class A.

### Model Information

CliQ II DIN Rail Power Supply

| Model Number   | Input Voltage Range                                       | Rated Output Voltage | Rated Output Current |
|----------------|---|----------------------|----------------------|
| DRP024V120W3B□ | 3 x 320-600 Vac (3-Phase) or<br>2 x 360-600 Vac (2-Phase) | 24 Vdc               | 5.00 A               |

### Model Numbering

| DR       | P            | 24V            | 120W         | 3           | B              | □   |
|----------|--------------|----------------|--------------|-------------|----------------|---|
| DIN Rail | Power Supply | Output Voltage | Output Power | Three Phase | CliQ II Series | A - Metal Case,<br>with Class I, Div 2<br>N - Metal Case,<br>without Class I, Div 2 |

# CliQ II DIN Rail Power Supply

## 24 V 120 W 3 Phase / DRP024V120W3B□

### Specifications

#### Input Ratings / Characteristics

|                                      |  |  |
|--------------------------------------|--|--|
| Nominal Input Voltage                | 3 x 400-500 Vac  |  |
| Input Voltage Range <sup>1)</sup>    | 3 x 320-600 Vac (3-Phase) or 2 x 360-600 Vac (2-Phase) |  |
| Nominal Input Frequency              | 50-60 Hz   |  |
| Input Frequency Range                | 47-63 Hz   |  |
| DC Input Voltage Range <sup>2)</sup> | 450-800 Vdc  |  |
| Input Current                        | < 0.50 A @ 3 x 400 Vac, < 0.40 A @ 3 x 500 Vac         |  |
| Efficiency at 100% Load              | > 88.0% @ 3 x 400 Vac & 3 x 500 Vac                    |  |
| Max Power Dissipation                | 0% load  | < 3.0 W @ 3 x 400 Vac, < 4.0 W @ 3 x 500 Vac |
|                                      | 100% load  | < 16.3 W @ 3 x 400 Vac & 3 x 500 Vac         |
| Max Inrush Current (Cold Start)      | < 30 A @ 3 x 400 Vac & 3 x 500 Vac                     |  |
| Leakage Current                      | < 3.5 mA @ 500 Vac                                     |  |

1) Fulfills test conditions for up to 600 Vac maximum.

2) Fulfills the test conditions for this range.

#### Output Ratings / Characteristics<sup>3)</sup>

|  |  |
|--|--|
| Nominal Output Voltage                                   | 24 Vdc   |
| Factory Set Point Tolerance                              | 24 Vdc $\pm$ 2%  |
| Output Voltage Adjustment Range                          | 24-28 Vdc  |
| Output Current   | 5.00 A (continuously operating at 24 V)<br>7.50 A (Power Boost for 5 seconds at 24 V, refer to the details in the Functions section) |
| Output Power   | 120 W (continuously operating at 24 V)<br>180 W (Power Boost for 5 seconds at 24 V, refer to the details in the Functions section)   |
| Line Regulation  | < 0.5% (@ 3 x 320-600 Vac input, 100% load)  |
| Load Regulation  | < 1.0% (@ 3 x 320-600 Vac input, 0-100% load)  |
| PARD <sup>4)</sup> (20 MHz)                              | < 150mVpp  |
| Rise Time  | < 100ms @ nominal input (100% load)  |
| Start-up Time  | < 1,000ms @ nominal input (100% load)  |
| Hold-up Time   | > 20 ms @ 3 x 400 Vac,<br>> 40 ms @ 3 x 500 Vac (100% load)  |
| Dynamic Response<br>(Overshoot & Undershoot O/P Voltage) | $\pm$ 5% @ 3 x 320-600 Vac input, 0-100% load<br>(Slew Rate: 0.1 A/ $\mu$ s, 50% duty cycle @ 5 Hz to 1 KHz)                         |
| Start-up with Capacitive Loads                           | 10,000 $\mu$ F Max   |

3) For power de-rating from 50°C to 80°C, see power de-rating on page 3.

4) PARD is measured with an AC coupling mode, 5cm wires, and in parallel with 0.1  $\mu$ F ceramic capacitor & 47  $\mu$ F electrolytic capacitor.

# CliQ II DIN Rail Power Supply

## 24 V 120 W 3 Phase / DRP024V120W3B□

### Mechanical

|                                   |  |                           |
|-----------------------------------|--|---------------------------|
| Case Cover / Chassis              | Aluminium  |                           |
| Dimensions (L x W x D)            | 121 x 50 x 117.3 mm (4.76 x 1.97 x 4.62 inch)      |                           |
| Unit Weight                       | 0.66 kg (1.46 lb)                                  |                           |
| Indicator                         | Green LED  | DC OK                     |
| Cooling System                    | Convection   |                           |
| Terminal                          | Input  | 4 Pins (Rated 600 V/35 A) |
|                                   | Output   | 4 Pins (Rated 300 V/28 A) |
| Wire                              | Input / Output                                     | AWG 18-12                 |
| Mounting Rail                     | Standard TS35 DIN Rail in accordance with EN 60715 |                           |
| Noise (1 Meter from power supply) | Sound Pressure Level (SPL) < 40 dBA                |                           |

### Environment

|                             |   |  |
|-----------------------------|---|--|
| Surrounding Air Temperature | Operating   | -25°C to +80°C (Cold Start at -40°C)   |
|                             | Storage   | -40°C to +85°C   |
| Power De-rating             | Vertical Mounting   | > 50°C de-rate power by 2.5% / °C,<br>> 70°C de-rate power by 5% / °C  |
|                             | Horizontal Mounting   | > 40°C de-rate power by 2.5% / °C,<br>> 60°C de-rate power by 5% / °C  |
| Operating Humidity          | 5 to 95% RH (Non-Condensing)  |  |
| Operating Altitude          | 0 to 2,500 Meters (8,200 ft.) for ITE application<br>0 to 2,000 Meters (6,560 ft.) for Industrial application |  |
| Shock Test                  | Non-Operating   | IEC 60068-2-27, 30G (300m/S <sup>2</sup> ) for a duration of 18ms,<br>1 times per direction, 2 times in total  |
| Vibration                   | Non-Operating   | IEC 60068-2-6, 10Hz to 500Hz @ 30m/S <sup>2</sup> (3G peak);<br>60 min per axis for all X, Y, Z direction      |
| Bump Test                   | Operating   | IEC 60068-2-29, Half Sine Wave: 10G for a duration of 11ms,<br>1,000 times per direction, 6,000 times in total |
| Over Voltage Category       | III   | According to IEC/EN 62477-1 / EN 60204-1<br>(clearance and creepage distances) and<br>IEC 62103 (safety part)  |
| Pollution Degree            | 2   |  |

# CliQ II DIN Rail Power Supply

## 24 V 120 W 3 Phase / DRP024V120W3B□

### Protections

|                                    |  |
|------------------------------------|--|
| Overvoltage                        | 32 V $\pm$ 10%, SELV Output, Hiccup Mode, Non-Latching (Auto-Recovery)       |
| Overload / Overcurrent             | > 150% of rated load current, Hiccup Mode, Non-Latching (Auto-Recovery)      |
| Over Temperature                   | < 80°C Surrounding Air Temperature @ 100% load, Non-Latching (Auto-Recovery) |
| Short Circuit                      | Hiccup Mode, Non-Latching (Auto-Recovery when the fault is removed)          |
| Transient Surge Voltage Protection | MOV (Metal Oxide Varistor)   |
| Internal Fuse                      | T 3.15 A   |
| Degree of Protection               | IP20   |
| Protection Against Shock           | Class I with PE <sup>1)</sup> connection                                     |

1) PE: Primary Earth

### Reliability Data

|                        |  |
|------------------------|--|
| MTBF                   | > 800,000 hrs. as per Telcordia SR-332<br>I/P: 3 x 400 Vac, O/P: 100% load, Ta: 25°C |
| Expected Cap Life Time | 10 years (3 x 400 Vac & 3 x 500 Vac, 50% load @ 40°C)                                |

# CliQ II DIN Rail Power Supply

## 24 V 120 W 3 Phase / DRP024V120W3B□

### Safety Standards / Directives

|  |                   |   |
|--|-------------------|---|
| Electrical Equipment of Machines                               |                   | EN/BS EN 60204-1 (over voltage category III)  |
| Electrical Equipment for Use in Electrical Power Installations |                   | IEC/EN/BS EN 62477-1 / IEC 62103  |
| Safety Entry Low Voltage                                       |                   | SELV (IEC 60950-1)  |
| Electrical Safety  | SIQ Bauart        | EN 62368-1  |
|  | UL/cUL recognized | UL 60950-1 and CSA C22.2 No. 60950-1 (File No. E191395)<br>UL 62368-1 and CSA C22.2 No. 62368-1 (File No. E191395)  |
|  | CB scheme         | IEC 60950-1, IEC 62368-1  |
|  | UKCA              | BS EN 62368-1   |
| Industrial Control Equipment                                   | UL/cUL listed     | UL 508 and CSA C22.2 No. 107.1-01 (File No. E315355)  |
|  | CSA               | CSA C22.2 No. 107.1-01 (File No. 181564)  |
| Hazardous Location / ATEX<br>(For DRP024V120W3BA)              | cCSAus            | CSA C22.2 No. 213-M1987, ANSI / ISA 12.12.01:2007<br>[Class I, Division 2, Group A, B, C, D T4,<br>(Vertical: Ta = -25°C to +80°C, > +50°C derating,<br>Horizontal: Ta = -25°C to +70°C, > +40°C derating)]         |
|  | ATEX              | EN 60079-0:2012, EN 60079-15:2010 [Ex II 3G Ex nA IIC T4<br>Gc, (Vertical: Ta = -25°C to +80°C, > +50°C derating,<br>Horizontal: Ta = -25°C to +70°C, > +40°C derating)]<br><br>Certificate No. EPS 13 ATEX 1 575 X |
| BIS  |                   | IS 13252-1  |
| CE   |                   | In conformance with EMC Directive 2014/30/EU and<br>Low Voltage Directive 2014/35/EU<br><br>For DRP024V120W3BA:<br>In conformance with Equipment for explosive atmospheres<br>(ATEX) directive 2014/34/EU           |
| UKCA   |                   | In conformance with Electrical Equipment (Safety) Regulations<br>2016 No. 1011 and<br>The Electromagnetic Compatibility Regulations 2016 No. 1091   |
| Galvanic Isolation   | Input to Output   | 4.0 KVac  |
|  | Input to Ground   | 2.0 KVac  |
|  | Output to Ground  | 1.5 KVac  |

# CliQ II DIN Rail Power Supply

## 24 V 120 W 3 Phase / DRP024V120W3B□

### EMC

|  |                |  |
|--|----------------|--|
| Emissions (CE & RE)                    |                | Generic Standards: CISPR 32, EN/BS EN 55032, KN 32, CISPR 11, EN/BS EN 55011, FCC Title 47: Class B            |
| Component Power Supply for General Use |                | EN/BS EN 61204-3   |
| Immunity                               |                | Generic Standards: EN/BS EN 55024, KN 35, EN/BS EN 61000-6-2   |
| Electrostatic Discharge                | IEC 61000-4-2  | Level 4 Criteria A <sup>1)</sup><br>Air Discharge: 15 kV<br>Contact Discharge: 8 kV                            |
| Radiated Field                         | IEC 61000-4-3  | Level 3 Criteria A <sup>1)</sup><br>80MHz-1GHz, 10V/M, 80% modulation (1 kHz)                                  |
| Electrical Fast Transient / Burst      | IEC 61000-4-4  | Level 3 Criteria A <sup>1)</sup><br>2 kV   |
| Surge                                  | IEC 61000-4-5  | Level 3 Criteria A <sup>1)</sup><br>Common Mode <sup>2)</sup> : 2 kV<br>Differential Mode <sup>3)</sup> : 1 kV |
| Conducted                              | IEC 61000-4-6  | Level 3 Criteria A <sup>1)</sup><br>150 kHz-80 MHz, 10 Vrms  |
| Power Frequency Magnetic Fields        | IEC 61000-4-8  | Criteria A <sup>1)</sup><br>10 A/Meter   |
| Voltage Dips and Interruptions         | IEC 61000-4-11 | 100% dip; 1 cycle (20 ms); Self Recoverable  |
| Low Energy Pulse Test (Ring Wave)      | IEC 61000-4-12 | Level 3 Criteria A <sup>1)</sup><br>Common Mode <sup>2)</sup> : 2 kV<br>Differential Mode <sup>3)</sup> : 1 kV |
| Harmonic Current Emission              |                | IEC/EN/BS EN 61000-3-2, Class A  |
| Voltage Fluctuation and Flicker        |                | IEC/EN/BS EN 61000-3-3   |

1) Criteria A: Normal performance within the specification limits

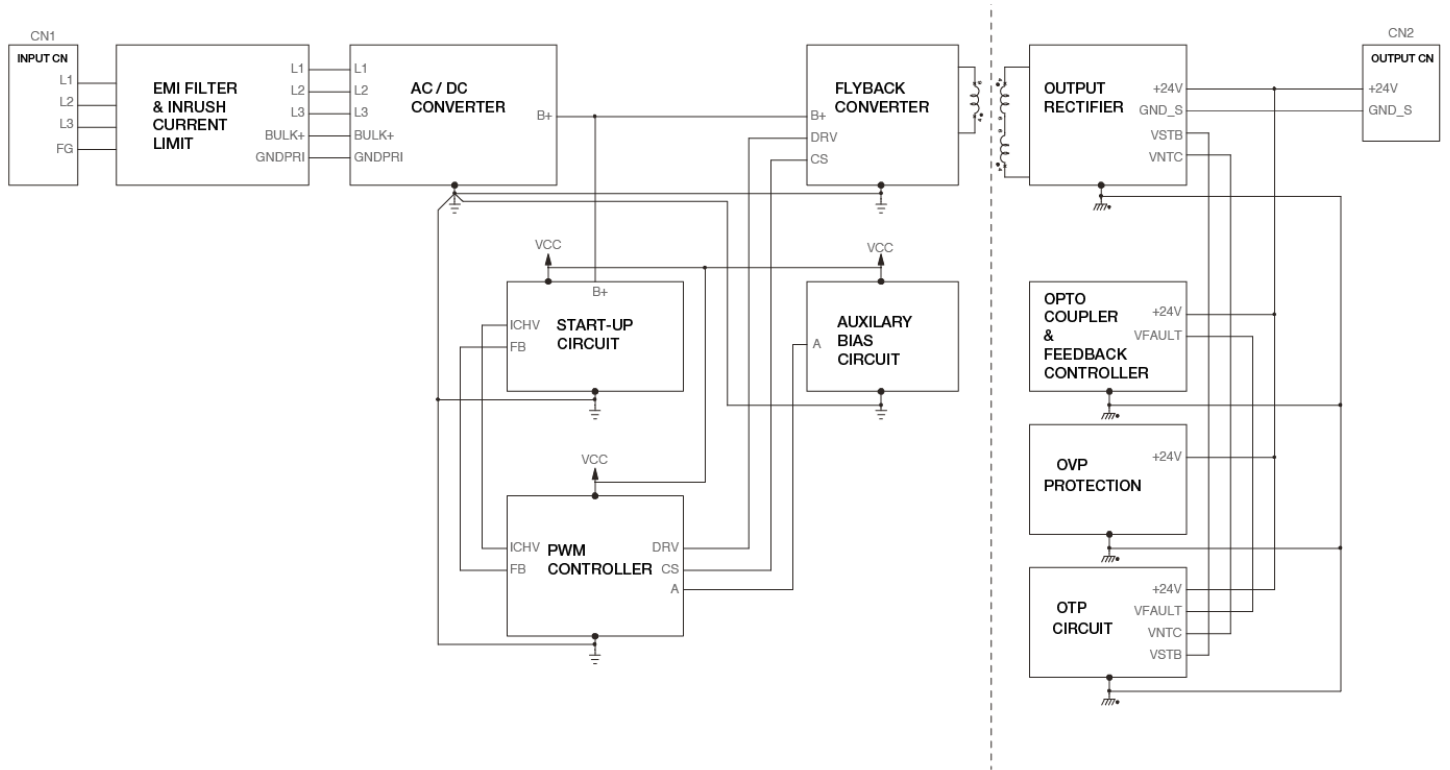
2) Asymmetrical: Common mode (Line to earth)

3) Symmetrical: Differential mode (Line to line)

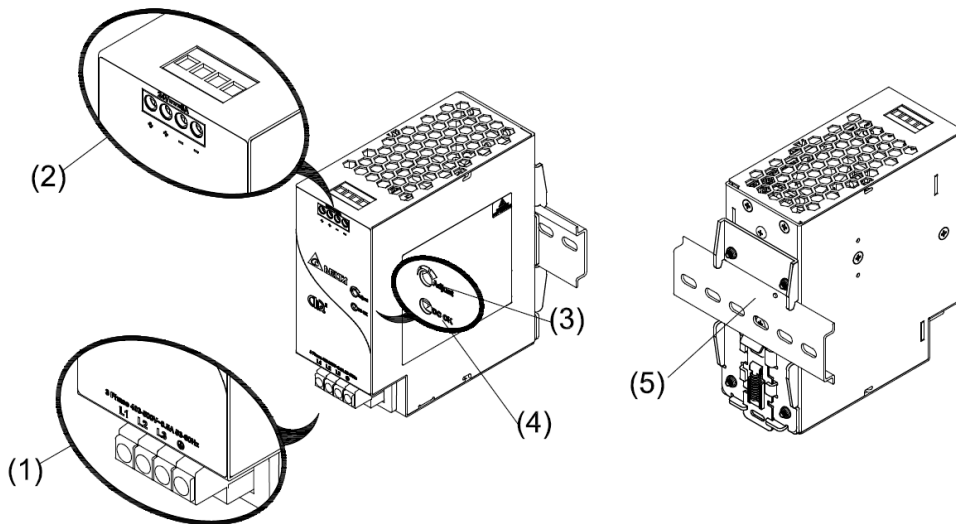
# CliQ II DIN Rail Power Supply

## 24 V 120 W 3 Phase / DRP024V120W3B□

### Block Diagram



### Device Description



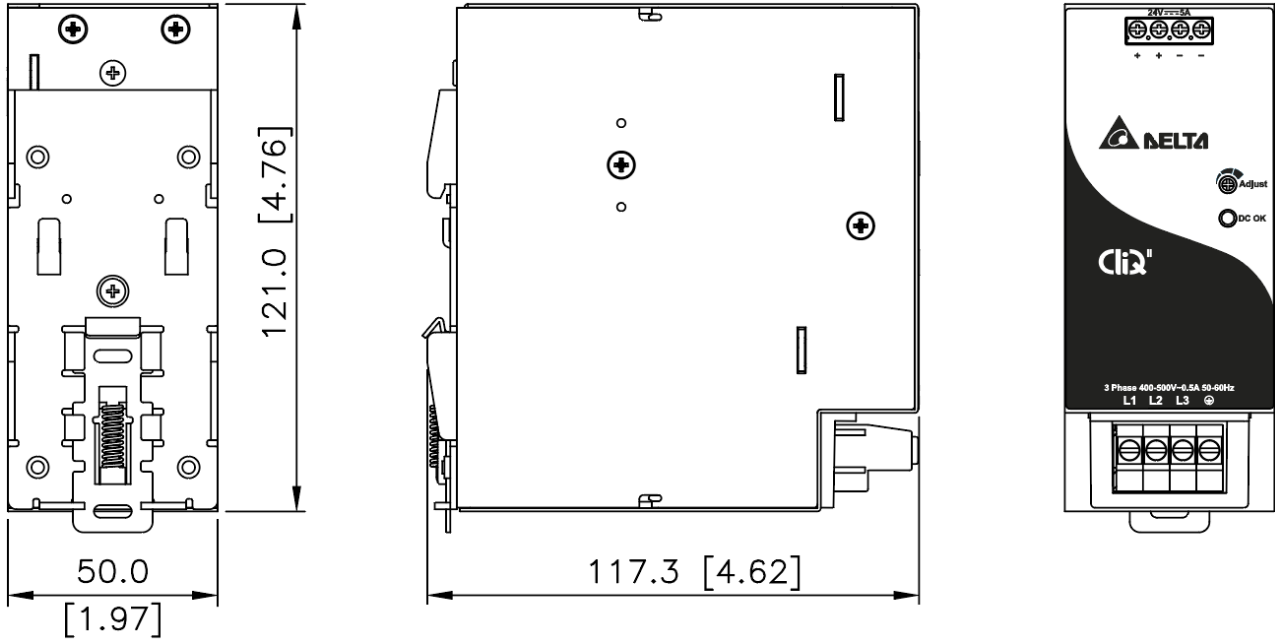
- 1) Input terminal block connector
- 2) Output terminal block connector
- 3) DC Voltage adjustment potentiometer
- 4) DC OK control LED (Green)
- 5) Universal mounting rail system

# CliQ II DIN Rail Power Supply

## 24 V 120 W 3 Phase / DRP024V120W3B□

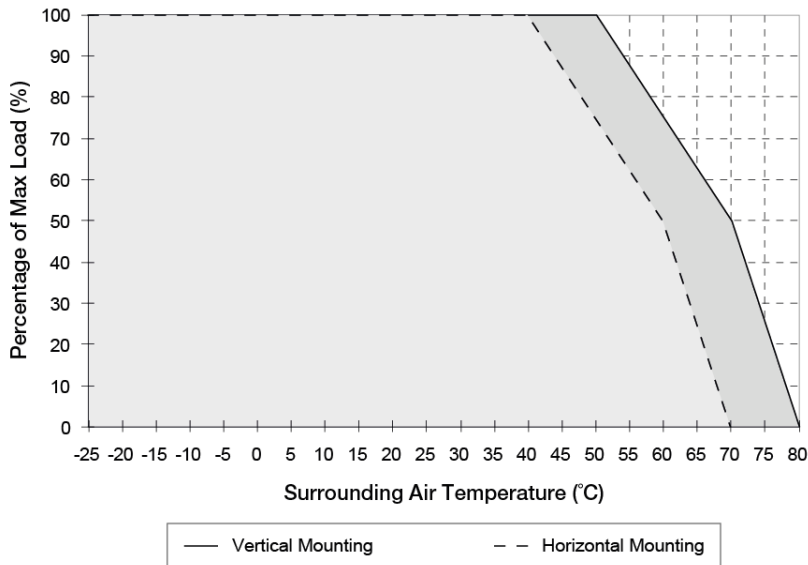
### Dimensions

L x W x D: 121 x 50 x 117.3 mm (4.76 x 1.97 x 4.62 inch)



### Engineering Data

#### Output Load De-rating VS Surrounding Air Temperature



**Fig. 1 De-rating for Vertical Mounting Orientation**

> 50°C de-rate power by 2.5% / °C,  
 > 70°C de-rate power by 5% / °C

#### De-rating for Horizontal Mounting Orientation

> 40°C de-rate power by 2.5% / °C,  
 > 60°C de-rate power by 5% / °C

#### Note

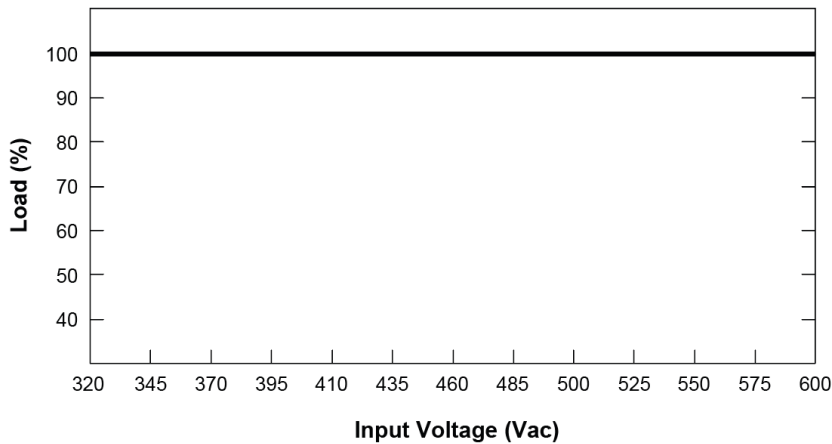
1. Power supply components may degrade, or be damaged, when the power supply is continuously used outside the shaded region, refer to the graph shown in Fig. 1.
2. If the output capacity is not reduced when the surrounding air temperature exceeds its specification as defined on Page 3 under "Environment", the device may run into Over Temperature Protection. When activated, the output voltage will go into bouncing mode and will recover when the surrounding air temperature is lowered or the load is reduced as far as necessary to keep the device in working condition.
3. In order for the device to function in the manner intended, it is also necessary to keep a safety distance as recommended in the safety instruction while the device is in operation.
4. Depending on the surrounding air temperature and output load delivered by the power supply, the device can be very hot!
5. If the device has to be mounted in any other orientation, please contact [info@deltapsu.com](mailto:info@deltapsu.com) for more details.



# CliQ II DIN Rail Power Supply

24 V 120 W 3 Phase / DRP024V120W3B□

## Output Load De-rating VS Input Voltage



■ No output power de-rating across the entire input voltage range

## Assembly & Installation

The power supply unit (PSU) can be mounted on 35 mm DIN rails in accordance with EN 60715. For Vertical Mounting, the device should be installed with input terminal block at the bottom. For Horizontal Mounting, the device should be installed with input terminal block on the left side.

Each device is delivered ready to install.

### Mounting

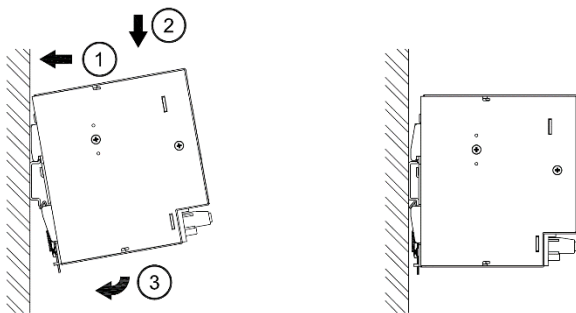


Fig. 2.1 Mounting

Snap on the DIN rail as shown in Fig. 2.1:

1. Tilt the unit upwards and insert it onto the DIN rail.
2. Push downwards until stopped.
3. Press against the bottom front side for locking.
4. Shake the unit slightly to ensure that it is secured.

### Dismounting

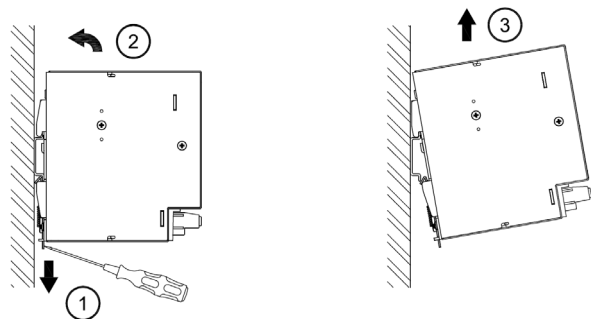


Fig. 2.2 Dismounting

To uninstall, pull or slide down the latch with screw driver as shown in Fig. 2.2. Then slide the power supply unit (PSU) in the opposite direction, release the latch and pull out the power supply unit (PSU) from the rail.

In accordance to EN 60950 / UL 60950 and EN 62368 / UL 62368, flexible cables require ferrules.

Use appropriate copper cables designed to sustain operating temperature of:

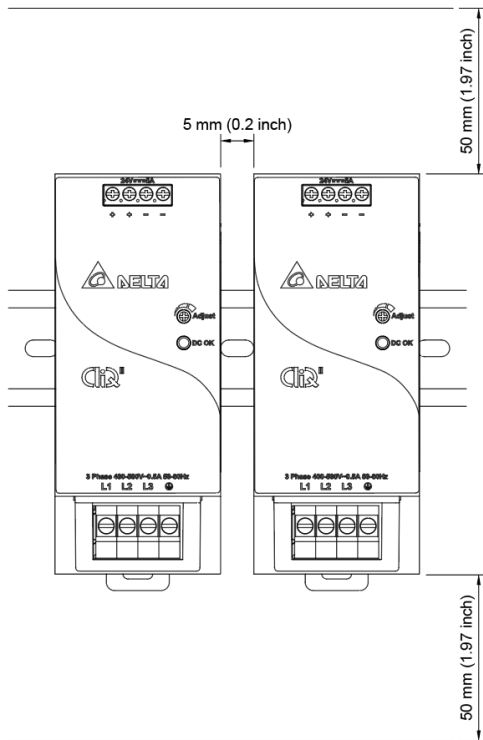
1. 60°C, 60°C / 75°C for USA
2. At least 75°C for ambient not exceeding 50°C, and 90°C for ambient exceeding 50°C for Canada.

# CliQ II DIN Rail Power Supply

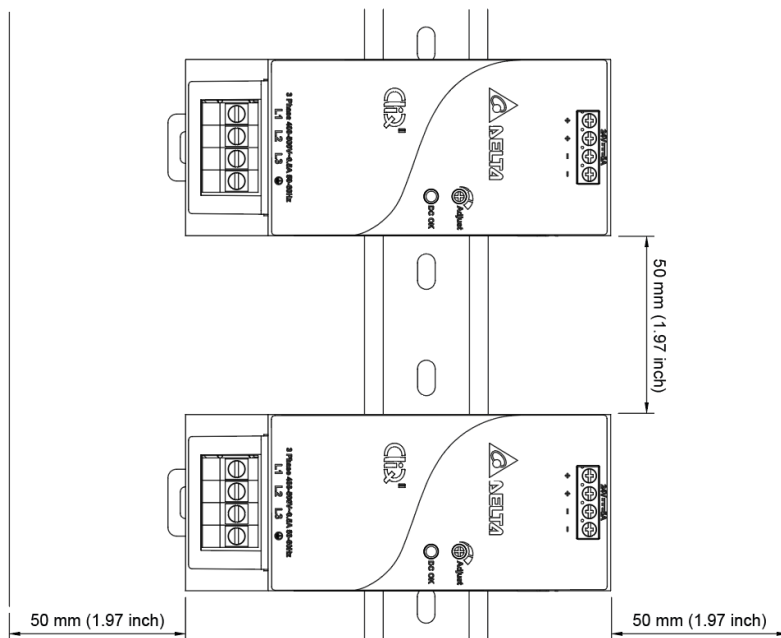
## 24 V 120 W 3 Phase / DRP024V120W3B□

### Safety Instructions

#### ■ Vertical Mounting



#### ■ Horizontal Mounting



- ALWAYS switch mains of input power OFF before connecting and disconnecting the input voltage to the unit. If mains are not turned OFF, there is risk of explosion / severe damage.
- **To guarantee sufficient convection cooling, please refer to the following instructions to ensure sufficient clearance around the device.**  
**Vertical Mounting:** 50 mm (1.97 inch) above and below the device as well as a lateral distance of 5 mm (0.20 inch) to other units.  
**Horizontal Mounting:** 50 mm (1.97 inch) above and below the device as well as a lateral distance of 50 mm (1.97 inch) to other units.
- Note that the enclosure of the device can become very hot depending on the surrounding air temperature and load of the power supply. Risk of burns!
- Only plug in and unplug connectors when power is turned off!
- DO NOT insert any objects into the unit.
- Hazardous voltages may be present for up to 5 minutes after the input mains voltage is disconnected. Do not touch the unit during this time.
- The power supplies unit should be installed in minimum IP54 rated enclosure.
- The power supplies are built in units and must be installed in a cabinet or room (condensation free environment and indoor location) that is relatively free of conductive contaminants.
- CAUTION: "For use in a controlled environment".

#### For DRP024V120W3BA:

- The power supplies unit must be installed in an IP54 enclosure or cabinet in the final installation. The enclosure or cabinet must comply with EN 60079-0 or EN 60079-15.
- Warning: Explosion Hazard - Substitution of components may impair suitability for Class I, Division 2.
- Warning: Explosion Hazard - Do not disconnect equipment or adjust potentiometer unless the power has been switched off or the area is known to be non-hazardous.

# CliQ II DIN Rail Power Supply

24 V 120 W 3 Phase / DRP024V120W3B□

## Functions

- Graph illustrating the Start-up Time, Rise Time, and Hold-up Time



## Start-up Time

The time required for the output voltage to reach 90% of its final steady state set value, after the input voltage is applied.

## Rise Time

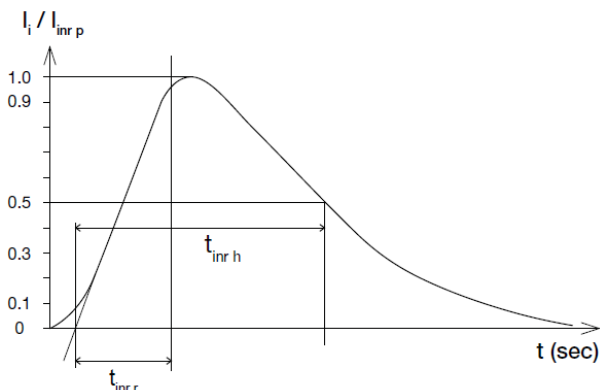
The time required for the output voltage to change from 10% to 90% of its final steady state set value.

## Hold-up Time

Time between the collapse of the AC input voltage, and the output falling to 95% of its steady state set value.

## Inrush Current

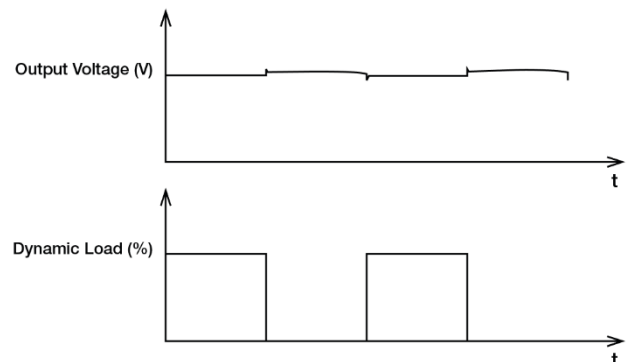
Inrush current is the peak, instantaneous, input current measured and, occurs when the input voltage is first applied. For AC input voltages, the maximum peak value of inrush current will occur during the first half cycle of the applied AC voltage. This peak value decreases exponentially during subsequent cycles of AC voltage.



## Dynamic Response

The power supply output voltage will remain within  $\pm 5\%$  of its steady state value, when subjected to a dynamic load from 0 to 100% of its rated current.

- 50% duty cycle / 5 Hz to 1 KHz



# CliQ II DIN Rail Power Supply

## 24 V 120 W 3 Phase / DRP024V120W3B□

### Power Boost

Power Boost is the reserve power available constantly that allows reliable startup to support sudden and short spike of loads with high inrush current typically during turn on to remove the need of more expensive higher rated power supply unit. After the output has reached its steady state set value, the power supply can support surge loads with a higher short-term power demand up to 150% of maximum rated load (I<sub>o</sub> Max), for a maximum duration of 5 seconds. The Power Boost is also available to repeatedly basis with according to the condition of an average (R.M.S) output power shall not exceed continuous operating condition or refer to duty cycle calculation below.

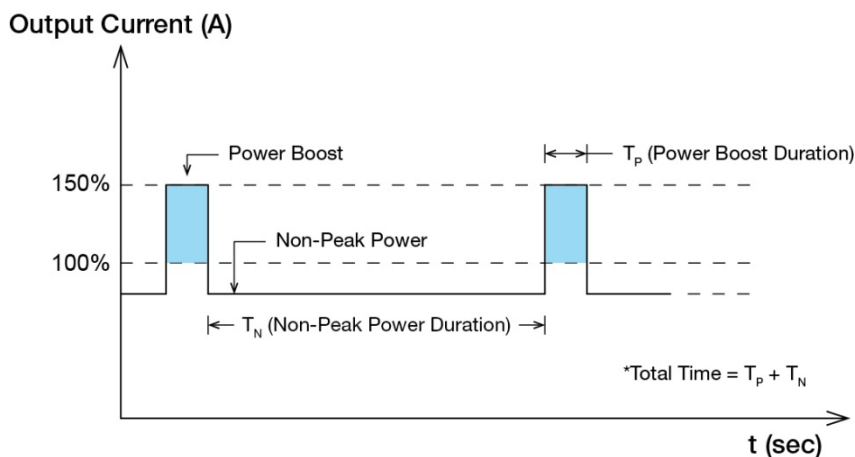


Fig. 3 Duty Cycle Calculation

$$\text{Duty cycle (\%)} = \frac{T_p}{\text{Total Time}}$$

$$\text{Average Output Power (P}_{Avg}\text{)} = \frac{(\text{Power Boost} \times T_p) + (\text{Non-Peak Power} \times T_N)}{\text{Total Time}}$$

OR

$$\text{Non-Peak Power} = \frac{(\text{P}_{Avg} \times \text{Total Time}) - (\text{Power Boost} \times T_p)}{T_N}$$

### ■ An example of Power Boost and Average Output Power

| Power Boost | Peak Power (W <sub>P</sub> ) | Power Boost Duration (T <sub>P</sub> ) | Duty Cycle | Non-Peak Power (W <sub>N</sub> ) | Non-Peak Power Duration (T <sub>N</sub> ) | Total Time (T) |
|-------------|------------------------------|--|------------|----------------------------------|---|----------------|
| 150%        | 180                          | 5 sec                                  | 10%        | 113 W                            | 45 sec                                    | 50 sec         |
| 150%        | 180                          | 5 sec                                  | 35%        | 88 W                             | 9.3 sec                                   | 14.3 sec       |
| 120%        | 144                          | 10 sec                                 | 20%        | 114 W                            | 40 sec                                    | 50 sec         |
| 120%        | 144                          | 10 sec                                 | 35%        | 107 W                            | 18.5 sec                                  | 28.5 sec       |

It is not recommended to prolong the duration of Power Boost to be longer than the specified duty cycle calculation, this may cause damage to the PSU.

### External Input Protection Device

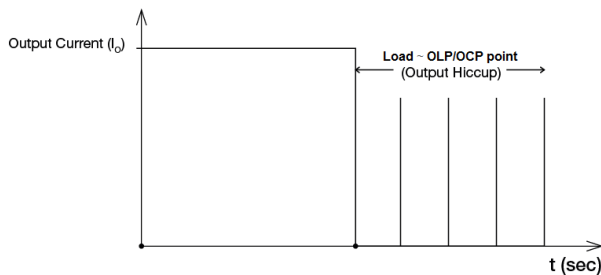
The unit is protected with internal fuse (not replaceable) at L1, L2 and L3 pins, which have been tested and approved on 20 A (UL) and 16A (IEC) branch circuits without additional protection device. An external protection device is only required if the supplying branch has an ampacity greater than above. Thus, if an external protective device is necessary, or, utilized, a minimum value of 13 A B- or 6 A C-characteristic breaker should be used.

# CliQ II DIN Rail Power Supply

## 24 V 120 W 3 Phase / DRP024V120W3B□

### Overload & Overcurrent Protections (Auto-Recovery)

The power supply's Overload (OLP) and Overcurrent (OCP) Protections will be activated when output current ( $I_o$ ) exceeds its specification as defined on Page 4 under "Protections". In such occurrence, the output voltage ( $V_o$ ) will start to droop and once the power supply has reached its maximum power limit, the protection is activated and the power supply will go into "Hiccup mode" (Auto-Recovery). The power supply will recover once the fault condition of the OLP and OCP is removed and  $I_o$  is back within the specifications.



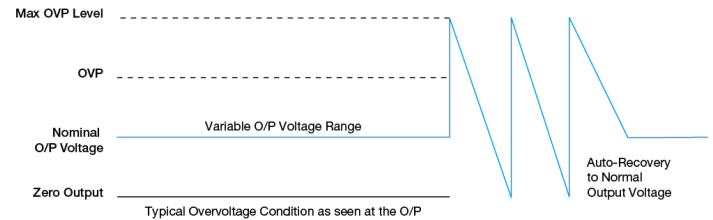
It is not recommended to prolong the duration of  $I_o$  when it is less than OLP/OCP point, but greater than 100%, since it may cause damage to the PSU.

### Short Circuit Protection (Auto-Recovery)

The power supply's output OLP/OCP function also provides protection against short circuits. When a short circuit is applied, the output current will operate in "Hiccup mode", as shown in the illustration in the OLP/OCP section on this page. The power supply will return to normal operation after the short circuit is removed.

### Overvoltage Protection (Auto-Recovery)

The power supply's overvoltage circuit will be activated when its internal feedback circuit fails. The output voltage shall not exceed its specifications defined on Page 4 under "Protections".



### Over Temperature Protection (Auto-Recovery)

As mentioned above, the power supply also has Over Temperature Protection (OTP). In the event of a higher operating temperature at 100% load, the power supply will run into OTP when the operating temperature is beyond what is recommended in the de-rating graph. When activated, the output voltage will go into bouncing mode until the temperature drops to its normal operating temperature as recommended in the de-rating graph.

# CliQ II DIN Rail Power Supply

## 24 V 120 W 3 Phase / DRP024V120W3B□

### Operating Mode

#### ■ Redundant Operation

In order to ensure proper redundant operation for the power supply unit (PSU), the output voltage difference between the two units must be kept at 0.45~0.50 V for 24 V supplies. Follow simple steps given below to set them up for the redundant operation:

##### Step 1.

Measure output voltage of PSU 1 and PSU 2. If PSU 1 is the master unit, then  $V_O$  of PSU 1 must be higher than PSU 2. In order to set the output voltage, individually connect the power supply to 50% of rated load at any line voltage, and set the PSU 1 and PSU 2 output voltage.

##### Step 2.

Connect the power supply units PSU 1 and PSU 2 to Vin 1 & Vin 2, respectively, of the DRR-20N (or 20A) module shown on the diagram on the right.

##### Step 3.

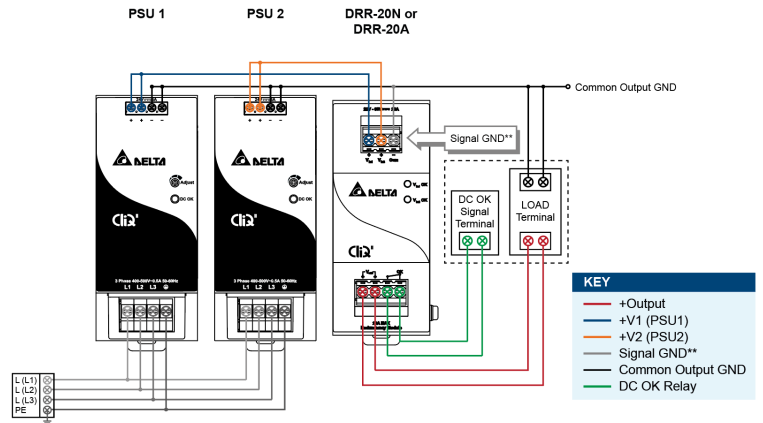
Connect the system load from  $V_{out}$ . Please note that output voltage  $V_{out}$  from DRR module will be  $= V_O$  (output voltage of power supply)  $- V_{drop}^*$  (in DRR module).

\* $V_{drop}$  will vary from 0.60 V to 0.9 0V (Typical 0.65 V) depending on the load current and surrounding air temperature.

#### ■ Parallel Operation

The power supply units (PSUs) can also be used for parallel operation in order to increase the output power. The difference in output voltage between the two units must be kept to within 25 mV of each other. This difference must be verified with the same output load connected independently to each unit.

Parameters such as EMI, inrush current, leakage current, PARD, start up time will be different from those on the datasheet, when two units are connected in parallel. The user will need to verify that any differences will still allow the two power supplies connected in parallel will work properly in their product/application.



\*\*The Signal GND in the DRR module is for the built-in LED and DC OK signals. The Output GND terminals from the two PSU's do not need to be connected to the Signal GND terminal.

Fig. 4 Redundant Operation Connection Diagram

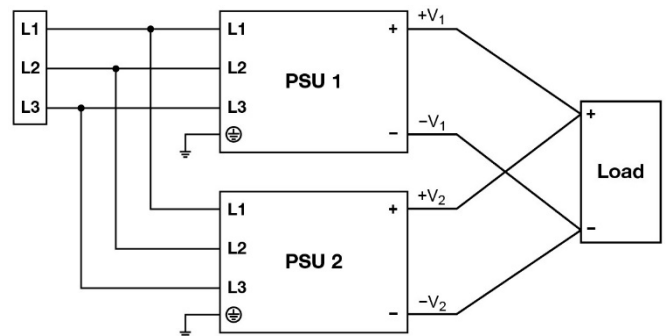


Fig. 5 Parallel Operation Connection Diagram

# CliQ II DIN Rail Power Supply

## 24 V 120 W 3 Phase / DRP024V120W3B□

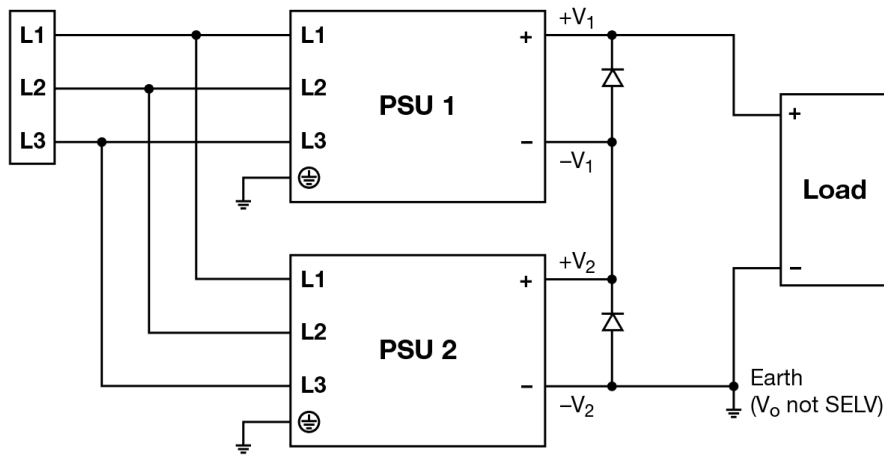
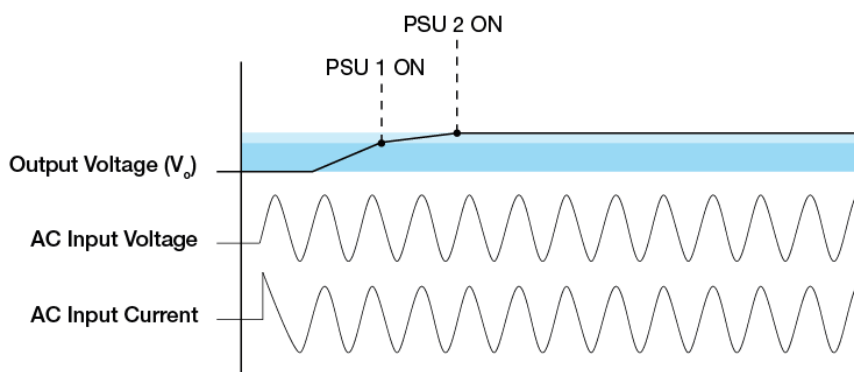


Fig. 6 Series Operation Connection Diagram

### Series Operation

Delta's CliQ II can be connected in series to increase the output voltage as shown in figure above. Only power supply from the same product series, and with the same rated output current, can be used. The maximum load current should not exceed the smallest rated output current. Any number of power supplies can be connected in series. User must note that an output voltage > 60 Vdc will not meet SELV requirements and could be dangerous to user, the total voltage shall not exceed 150 Vdc. Installation a protection against the touching is a must and connect the output ground to earth when output voltage is not SELV. A diode in reverse bias must be added across output terminals of each power supply, this is to prevent -V voltage being applied to other power supply in fault conditions such as short circuit across load. During the short circuit -V<sub>1</sub> & +V<sub>1</sub> will come across +V<sub>2</sub> & -V<sub>2</sub> which means connecting 2 power supplies in opposite polarity and may cause damage to power supply. With reverse bias diodes in place the voltage across each power supply will be restricted to one diode drop – approximately 0.7 V to 1.0 V. It is recommended to provide sufficient voltage de-rating for diodes with 2 times the voltage rating of series output voltage. E.g. the two 24 V power supplies are connected in series, the total voltage is 48 volts. Hence, recommended to use diodes with reverse voltage rating of 2x48=96 volts. Therefore diodes with reverse voltage rating of 100 volts can be used.

During the short circuit condition, the current through diodes will be large, hence it is recommended that diodes to be least twice the current rating of the power supply.



The turn ON would be non-monotonic as the power supply with the fastest startup time and rise time will turn on first. As a result, the combined output voltage waveform of the 2 power supplies connected in series will include a step.

User must consider to verify parameters such as EMI, inrush current, leakage current, PARD, start up time would differ from datasheet numbers as multiple power supplies in series.

# CliQ II DIN Rail Power Supply

## 24 V 120 W 3 Phase / DRP024V120W3B□

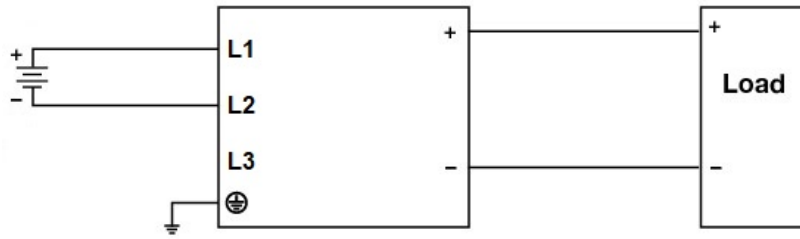


Fig. 7 DC Input Operation Connection Diagram

### ■ DC Input Operation

#### Step 1.

Use a battery or similar DC source.

#### Step 2.

Connect either connections of +pole and -pole to L1/L2/L3 as below.

- +pole to L1 and -pole to L2
- +pole to L1 and -pole to L3
- +pole to L2 and -pole to L1
- +pole to L2 and -pole to L3
- +pole to L3 and -pole to L1
- +pole to L3 and -pole to L2

#### Step 3.

Connect the PE terminal to an earth wire or to the machine ground.

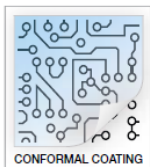


# CliQ II DIN Rail Power Supply

## 24 V 120 W 3 Phase / DRP024V120W3B□

### Others

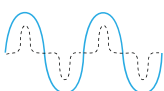
#### Conformal Coating



#### The Protective Coating Technology

Delta Electronics Group has designed the perfect dipping technique which penetrates everywhere including under device, and prevents leakage. The conformal coating dipping can be applied to PCBAs or circuit board. The coating preserves the performance of precision electronic primarily by preventing ionizable contaminants such as salt from reaching circuit nodes, where the material slumps around sharp edges. This can be a problem especially in highly conversing atmosphere.

#### PFC – Norm EN 61000-3-2



#### Line Current Harmonic content

Typically, the input current waveform is not sinusoidal due to the periodic peak charging of the input capacitor. In industrial environments, compliance with EN 61000-3-2 is only necessary under special conditions. Complying to this standard can have some technical drawbacks, such as lower efficiency; and, can also result in higher product cost. Frequently, the user does not profit from compliance to this standard; therefore, it is important to know whether it is mandatory to meet this standard for a specific application.

#### Attention

Delta provides all information in the datasheets on an “AS IS” basis and does not offer any kind of warranty through the information for using the product. In the event of any discrepancy between the information in the catalog and datasheets, the datasheets shall prevail (please refer to [www.DeltaPSU.com](http://www.DeltaPSU.com) for the latest datasheets information). Delta shall have no liability of indemnification for any claim or action arising from any error for the provided information in the datasheets. Customer shall take its responsibility for evaluation of using the product before placing an order with Delta.

Delta reserves the right to make changes to the information described in the datasheets without notice.

### Manufacturer and Authorized Representatives Information

#### Manufacturer

##### Thailand

Delta Electronics (Thailand) PCL.  
909 Pattana 1 Rd., Muang, Samutprakarn, 10280 Thailand

##### Taiwan

Delta Electronics, Inc.  
3 Tungyuan Road, Chungli Industrial Zone, Taoyuan County  
32063, Taiwan

#### Authorized Representatives

##### The Netherlands

Delta Greentech (Netherlands) B.V.  
Zandsteen 15, 2132 MZ Hoofddorp, The Netherlands

##### United Kingdom

Delta Electronics Europe Limited  
1 Redwood Court, Peel Park Campus,  
East Kilbride, Glasgow, G74 5PF, United Kingdom

## X-ON Electronics

Largest Supplier of Electrical and Electronic Components

*Click to view similar products for [DIN Rail Power Supplies](#) category:*

*Click to view products by [Delta](#) manufacturer:*

Other Similar products are found below :

[PS-S6024](#) [DVP01PU-S](#) [DVP06AD-S](#) [DVP06XA-S](#) [DVDPNET-SL](#) [DVPDT01-S](#) [DVPPS01](#) [PS-6012](#) [PS9Z-5R1G](#) [PS-C24024](#)  
[DVP08ST11N](#) [DVPACAB530](#) [DVPCOPM-SL](#) [DVPEN01-SL](#) [DVPPF01-S](#) [ADNB008-48-1PM-C](#) [ADNB017-24-1PM-C](#) [ADNB040-24-1PM-C](#) [ADNB034-12-1PM-C](#) [SS14011524](#) [PS-UPS40](#) [PSC-6024](#) [PSD-A60W12](#) [96PS-A120WDIN](#) [PSD-A60W48](#) [PSD-A40W12](#) [PSD-A40W24](#) [SMP21-L20-DC24V-5A](#) [PSD-A40W48](#) [S8T-DCBU-02](#) [PS-S4024](#) [NTPS-24-1.3](#) [ZI-20](#) [PST-96024](#) [S82YVSC4P](#) [PS-S4005](#) [PS-10024](#) [PS-S10024](#) [PS-C12024](#) [PSP-480S24](#) [PS-C48024](#) [PSC-2024](#) [PSC-4012](#) [PSC-4048](#) [PSC-9615](#) [PSC-15124](#) [PSC-15148](#) [PSC-24148](#) [PSC-48148](#) [TRIO-PS-2G/1AC/12DC/5/C2LP](#)