

SOLENOID PRODUCT SPECIFICATION

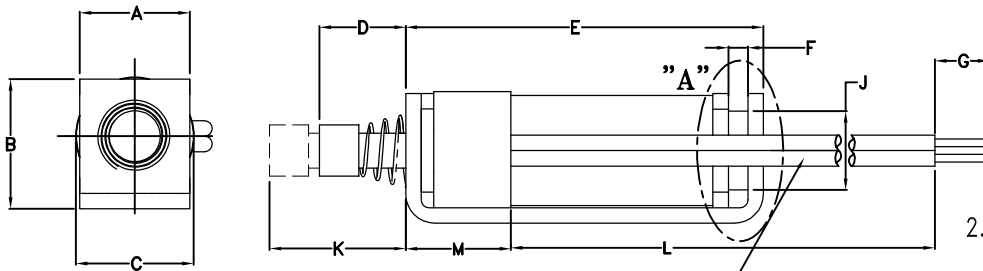
| PART No. | VOLTAGE | DUTY CYCLE | POWER (W) | CURRENT (A) | DCR (Ω) * |
|--------------|---------|-------------------|-----------|-------------|-----------|
| DSML-0224-24 | 24 VDC | 0.2%, 20 msec On. | 13 | 0.54 | 44 |
| DSML-0224-18 | 18 VDC | 0.2%, 20 msec On. | 13 | 0.73 | 24.6 |
| DSML-0224-12 | 12 VDC | 0.2%, 20 msec On. | 12 | 1.0 | 12 |
| DSML-0224-09 | 9 VDC | 0.2%, 20 msec On. | 11.2 | 1.22 | 7.4 |
| DSML-0224-05 | 5 VDC | 0.2%, 20 msec On. | 13 | 2.62 | 1.9 |

* OPERATION: POWER TO PULL AND RELEASE, BUILT-IN RETURN SPRING.

* DCR VALUES ARE ±10% AT 25°C

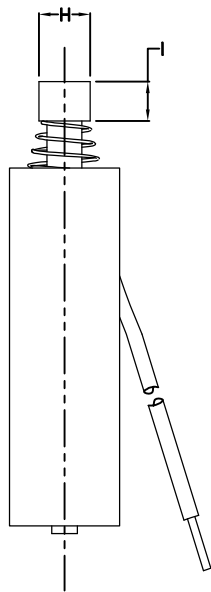
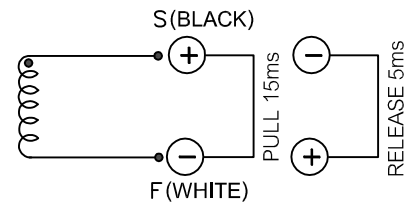
* WEIGHT ARE 5.5 GRAMS ±10%

1. MECHANICAL DIMENSIONS :

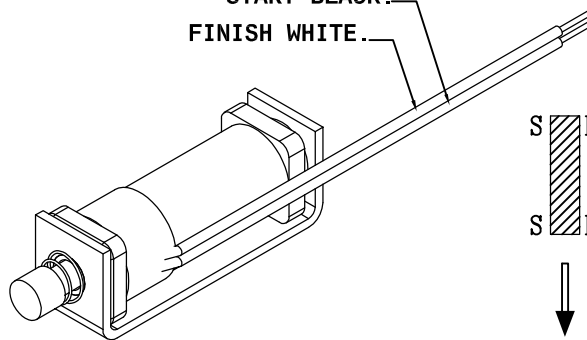


LEAD WIRE.
(NOTE 1)

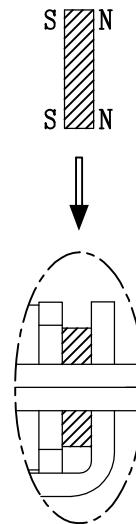
2. SCHEMATIC AND CONSTRUCTION :



START BLACK.
FINISH WHITE.



ISOMETRIC VIEW



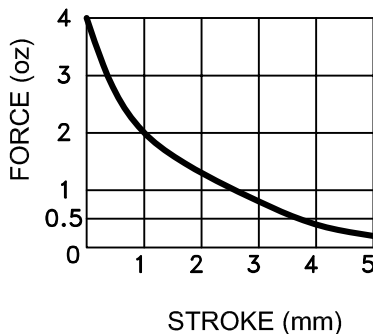
MAGNET DIRECTION
DETAIL "A"

UNIT : mm.

- A = 7.11 ± 0.1
- B = 8.38 ± 0.1
- C = 8.35 MAX.
- D = 5.58 ± 0.2
- E = 23.11 ± 0.2
- F = 1.00±0.05
- G = 4.0 ± 1.0
- H = ø3.30 ± 0.1
- I = 2.54 ± 0.1
- J = 5.04 ± 0.05
- K = 11.5 ± 0.5
- L = 45 ± 5
- M = 12 ± 3

UNLESS TOLERANCES.

- X.X = ±0.4
- X.XX = ±0.15
- ANGLES = ± 0.5°



NOTE:

1. INSULATION MATERIALS: UL CONSTRUCTION, CLASS A 105°C
2. LIFE EXPECTANCY: 100K CYCLES OPERATIONS

| LAYER TEST | IR. @500 Vdc. | HI-POT |
|---------------------|---------------|---------------|
| (S-F) : 500Vp. MIN. | COIL TO FRAME | @50/60Hz.,2mA |
| TEST ONLY COIL | 30 MOHM MIN. | COIL TO FRAME |
| | | 500Vac., 1s |

X-ON Electronics

Largest Supplier of Electrical and Electronic Components

Click to view similar products for [Solenoids & Actuators category](#):

Click to view products by [Delta manufacturer](#):

Other Similar products are found below :

[7014-S](#) [11-C-6D](#) [11-I-24A](#) [11-I-6D](#) [A-1223](#) [A-1410-1](#) [11P-C-6D](#) [A-376-T](#) [H-15234-029-20](#) [A420-065512-00](#) [A420-065513-00](#) [A420-065570-00](#) [A420-065571-00](#) [A420-065710-00](#) [A420-066011-00](#) [A420-066014-00](#) [A420-066083-00](#) [A420-066084-00](#) [A420-066947-00](#) [A420-067877-00](#) [A420-067899-00](#) [A420-068516-00](#) [A421-062507-11](#) [A421-062507-12](#) [A490-367460-13](#) [A490-367460-14](#) [A490-367460-15](#) [A490-367460-17](#) [A490-367461-00](#) [A490-367461-02](#) [A490-367462-03](#) [A490-367462-04](#) [A490-367462-05](#) [A490-367462-07](#) [A-728](#) [1251-A-1](#) [D4HD-24VDC-PULL-CONT](#) [12-C-120A](#) [12-I-120A](#) [129409-031](#) [143-B1A2](#) [1500-M-1](#) [1501-M-1](#) [152099-230](#) [15-516-502](#) [EE520-74410](#) [B20-501-A-1](#) [B20-753-A-1](#) [B24-253-A-1](#) [B24-501-A-1](#)