

# SOLENOID PRODUCT SPECIFICATION

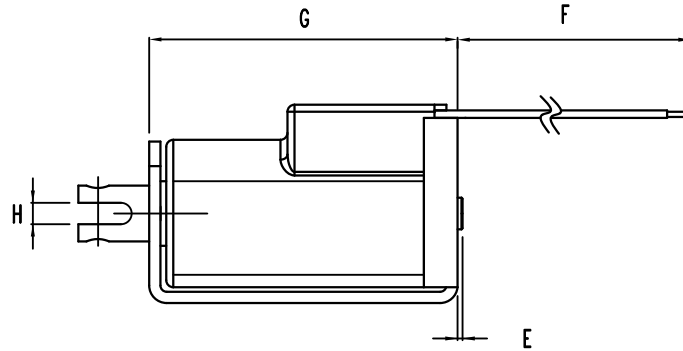
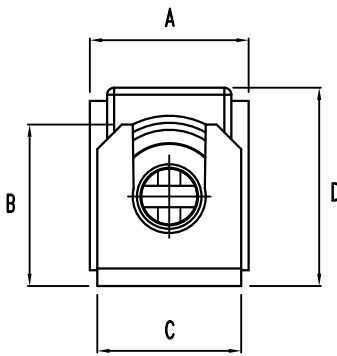
PART No.	VOLTAGE	DUTY CYCLE	POWER (W)	CURRENT (A)	DCR (Ω) *
DSOL-0844-24	24 VDC	100%	20	0.82	29
DSOL-0844-18	18 VDC	100%	20	1.1	16.2
DSOL-0844-12	12 VDC	100%	20	1.55	7.7
DSOL-0844-09	9 VDC	100%	20	2.25	4
DSOL-0844-05	5 VDC	100%	20	3.85	1.3

\* OPERATION: POWER TO PLL.

\* DCR VALUES ARE ±10% AT 25°C

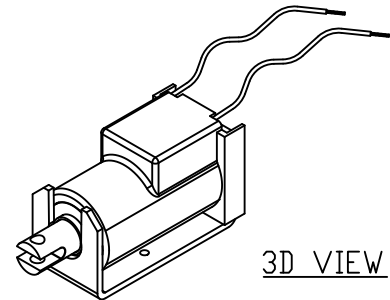
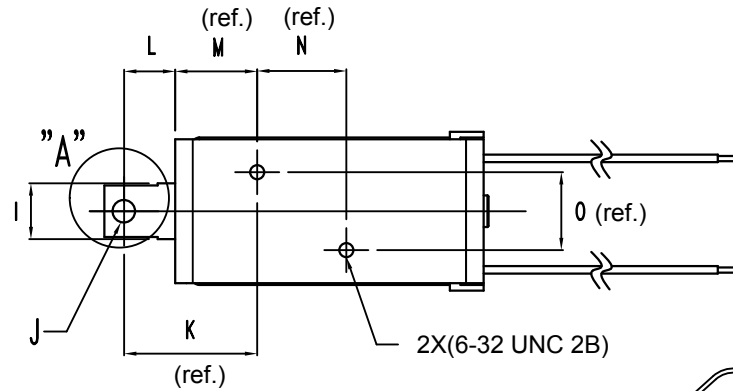
\* WEIGHT ARE 95 GRAMS ±10%

1. MECHANICAL DIMENSIONS :



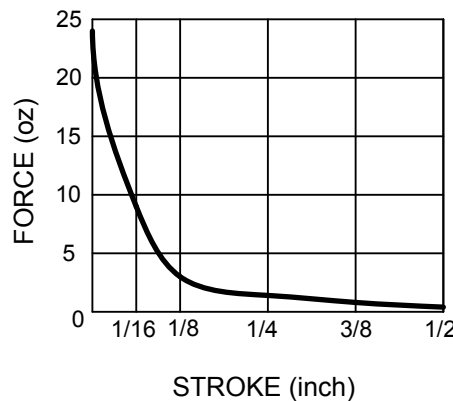
UNIT : INCH.

- A = 0.92 MAX
- B = 0.91±.02
- C = 0.84±.02
- D = 1.13 MAX
- E = 0.0275±0.0085
- F = 3.2±0.2
- G = 1.73±.02
- H = 0.12±0.015
- I = ∅0.313±.005
- J = ∅0.128±0.002
- K = 0.76(REF.)
- L = 0.300±.015
- M = 0.46±.02(REF.)
- N = 0.500(REF.)
- = 0.437(REF.)



UNSPECIFIED TOLERANCES

- 2 PLACE ± 0.01
- 3 PLACE ± 0.005
- ANGULAR ± 2°



INSULATION MATERIALS: UL CONSTRUCTION, CLASS B 130°C  
 LIFE EXPECTANCY: 100K CYCLES OPERATIONS

LAYER TEST	IR. @500 Vdc.	HI-POT
(S-F) : 500Vp. MIN.	COIL TO FRAME	@50/60Hz.,2mA
TEST ONLY COIL	100 MOHM MIN.	COIL TO FRAME
		1000Vac.,10s

## X-ON Electronics

Largest Supplier of Electrical and Electronic Components

*Click to view similar products for [Solenoids & Actuators category](#):*

*Click to view products by [Delta manufacturer](#):*

Other Similar products are found below :

[7014-S](#) [11-C-6D](#) [11-I-24A](#) [11-I-6D](#) [A-1223](#) [A-1410-1](#) [11P-C-6D](#) [A-376-T](#) [H-15234-029-20](#) [A420-065512-00](#) [A420-065513-00](#) [A420-065570-00](#) [A420-065571-00](#) [A420-065710-00](#) [A420-066011-00](#) [A420-066014-00](#) [A420-066083-00](#) [A420-066084-00](#) [A420-066947-00](#) [A420-067877-00](#) [A420-067899-00](#) [A420-068516-00](#) [A421-062507-11](#) [A421-062507-12](#) [A490-367460-13](#) [A490-367460-14](#) [A490-367460-15](#) [A490-367460-17](#) [A490-367461-00](#) [A490-367461-02](#) [A490-367462-03](#) [A490-367462-04](#) [A490-367462-05](#) [A490-367462-07](#) [A-728](#) [1251-A-1](#) [D4HD-24VDC-PULL-CONT](#) [12-C-120A](#) [12-I-120A](#) [129409-031](#) [143-B1A2](#) [1500-M-1](#) [1501-M-1](#) [152099-230](#) [15-516-502](#) [EE520-74410](#) [B20-501-A-1](#) [B20-753-A-1](#) [B24-253-A-1](#) [B24-501-A-1](#)