

SOLENOID PRODUCT SPECIFICATION

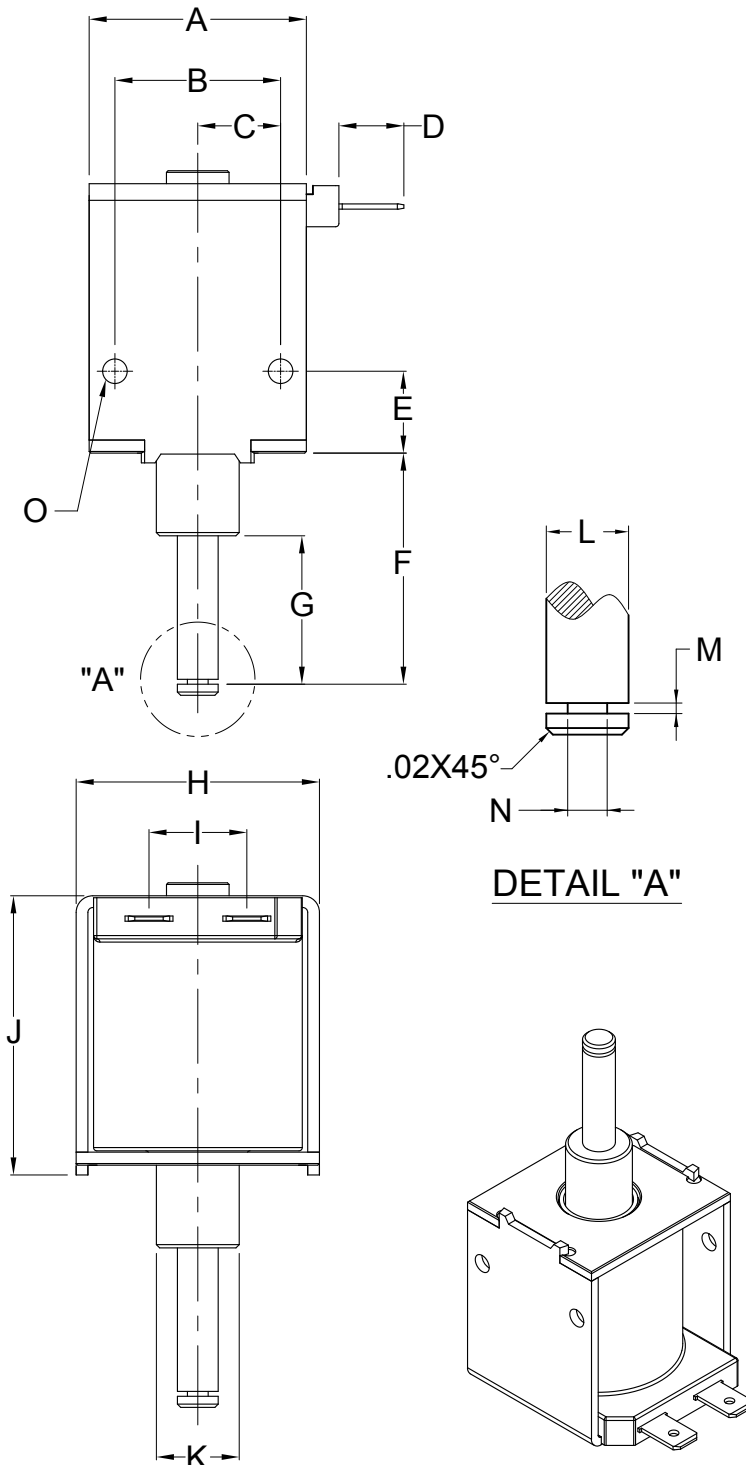
PART No.	VOLTAGE	DUTY CYCLE	POWER (W)	CURRENT (A)	DCR (Ω) *
DSOL-1341-240	240 VAC	17%, 4 Min. On Max.	235	0.98	246
DSOL-1341-120	120 VAC	17%, 4 Min. On Max.	220	1.85	65
DSOL-1341-24	24 VAC	17%, 4 Min. On Max.	220	9.2	2.6
DSOL-1341-12	12 VAC	17%, 4 Min. On Max.	250	21	0.57

* OPERATION: POWER TO PULL.

* DCR VALUES ARE ±10% AT 25°C

* WEIGHT ARE 230 GRAMS ±10%

1. MECHANICAL DIMENSIONS :



UNIT: Inch

A = 1.312 ± .015

B = 1.000 ± .015

C = .500 REF.

D = .390 ± .015

E = .500 ± .015

F = 1.407 ± .015

G = .900 ± .015

H = 1.468 ± .015

I = .590 REF.

J = 1.609 ± .015

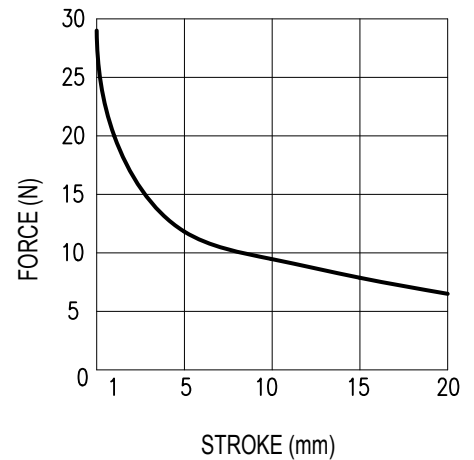
K = .500 ± .005

L = .247 + .003[^] - .005

M = .029 + .003[^] - .000

N = .125 + .003[^] - .000

O = 4XR.074±.002



INSULATION MATERIALS: UL CONSTRUCTION, CLASS B 130°C
 LIFE EXPECTANCY: 100K CYCLES OPERATIONS
 COULD OPERATED BY VDC, BUT PERFORMANCE WILL BE DIFFERENT.

LAYER TEST	IR. @500 Vdc.	HI-POT
(S-F) 2.8KVp. MIN.	COIL TO FRAME	@50/60Hz.,.2mA
TEST ONLY COIL	100 MOHM MIN.	COIL TO FRAME
		1500Vac.,60s

X-ON Electronics

Largest Supplier of Electrical and Electronic Components

Click to view similar products for [Solenoids & Actuators category](#):

Click to view products by [Delta manufacturer](#):

Other Similar products are found below :

[7014-S](#) [11-C-6D](#) [11-I-24A](#) [11-I-6D](#) [A-1223](#) [A-1410-1](#) [11P-C-6D](#) [A-376-T](#) [H-15234-029-20](#) [A420-065512-00](#) [A420-065513-00](#) [A420-065570-00](#) [A420-065571-00](#) [A420-065710-00](#) [A420-066011-00](#) [A420-066014-00](#) [A420-066083-00](#) [A420-066084-00](#) [A420-066947-00](#) [A420-067877-00](#) [A420-067899-00](#) [A420-068516-00](#) [A421-062507-11](#) [A421-062507-12](#) [A490-367460-13](#) [A490-367460-14](#) [A490-367460-15](#) [A490-367460-17](#) [A490-367461-00](#) [A490-367461-02](#) [A490-367462-03](#) [A490-367462-04](#) [A490-367462-05](#) [A490-367462-07](#) [A-728](#) [1251-A-1](#) [D4HD-24VDC-PULL-CONT](#) [12-C-120A](#) [12-I-120A](#) [129409-031](#) [143-B1A2](#) [1500-M-1](#) [1501-M-1](#) [152099-230](#) [15-516-502](#) [EE520-74410](#) [B20-501-A-1](#) [B20-753-A-1](#) [B24-253-A-1](#) [B24-501-A-1](#)