

# SOLENOID PRODUCT SPECIFICATION

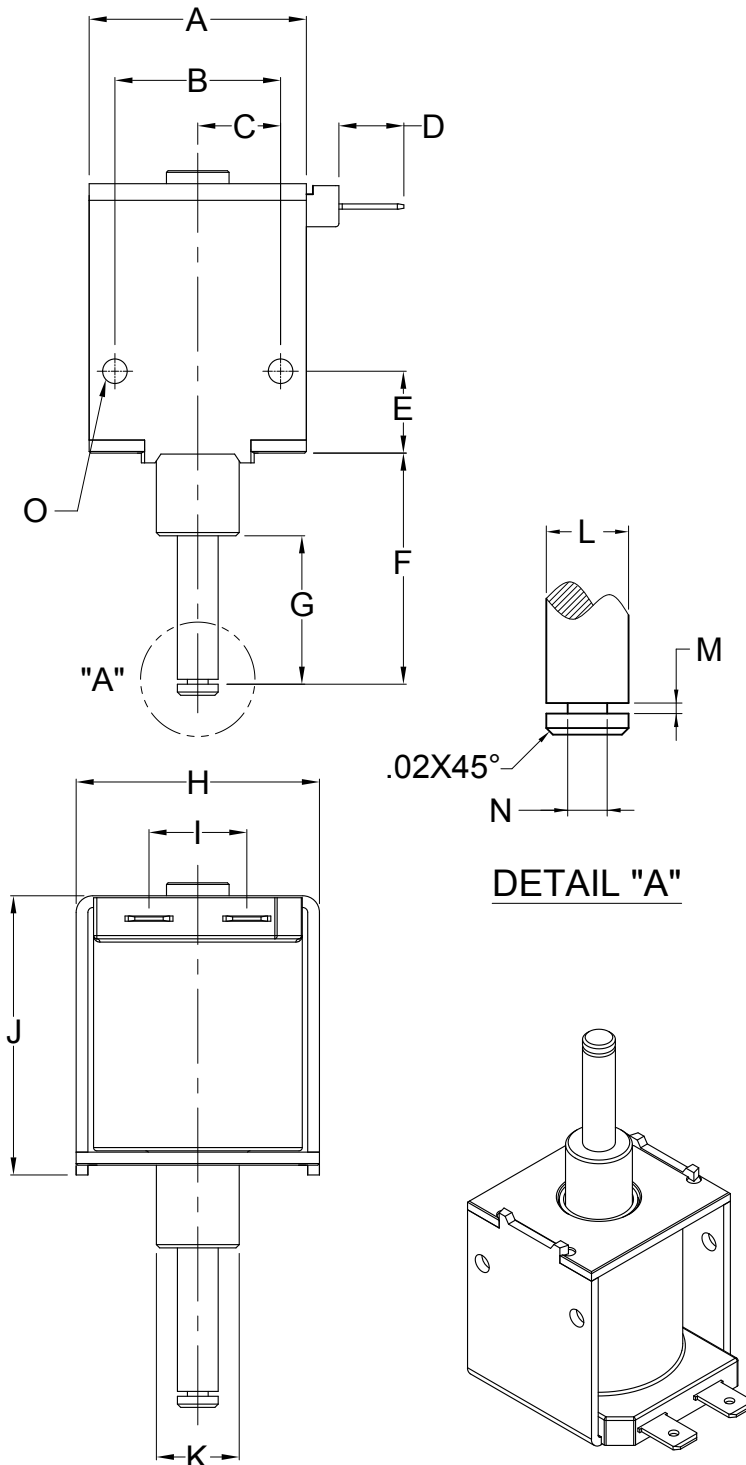
PART No.	VOLTAGE	DUTY CYCLE	POWER (W)	CURRENT (A)	DCR (Ω) *
DSOL-1341-240	240 VAC	17%, 4 Min. On Max.	235	0.98	246
DSOL-1341-120	120 VAC	17%, 4 Min. On Max.	220	1.85	65
DSOL-1341-24	24 VAC	17%, 4 Min. On Max.	220	9.2	2.6
DSOL-1341-12	12 VAC	17%, 4 Min. On Max.	250	21	0.57

\* OPERATION: POWER TO PULL.

\* DCR VALUES ARE ±10% AT 25°C

\* WEIGHT ARE 230 GRAMS ±10%

## 1. MECHANICAL DIMENSIONS :



UNIT: Inch

A = 1.312 ± .015

B = 1.000 ± .015

C = .500 REF.

D = .390 ± .015

E = .500 ± .015

F = 1.407 ± .015

G = .900 ± .015

H = 1.468 ± .015

I = .590 REF.

J = 1.609 ± .015

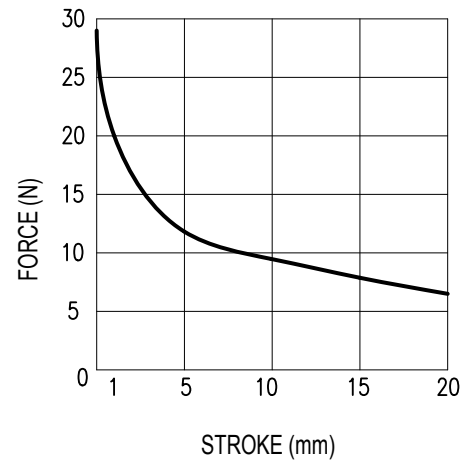
K = .500 ± .005

L = .247 + .003<sup>^</sup> - .005

M = .029 + .003<sup>^</sup> - .000

N = .125 + .003<sup>^</sup> - .000

O = 4XR.074±.002



INSULATION MATERIALS: UL CONSTRUCTION, CLASS B 130°C  
 LIFE EXPECTANCY: 100K CYCLES OPERATIONS  
 COULD OPERATED BY VDC, BUT PERFORMANCE WILL BE DIFFERENT.

LAYER TEST	IR. @500 Vdc.	HI-POT
(S-F) 2.8KVp. MIN.	COIL TO FRAME	@50/60Hz.,.2mA
TEST ONLY COIL	100 MOHM MIN.	COIL TO FRAME
		1500Vac.,60s

## X-ON Electronics

Largest Supplier of Electrical and Electronic Components

*Click to view similar products for [delta manufacturer](#):*

Other Similar products are found below :

[MKEL-DRB](#) [PFB1224UHE-T50F](#) [PL01S2412A](#) [PMB-24V50W1AA](#) [PS75-12VDC-PULL-CONT](#) [1316038K66E000](#) [DOP-EXI014RAE](#)  
[DRP024V480W3BN](#) [DRP048V240W1BN](#) [DSVP10-VITON-DIAPHRAGM](#) [DTB4824LV](#) [DTB4848LV](#) [DTB4896CR](#) [DTB4896VRE](#)  
[DTB9696CVE](#) [DTB9696LVE](#) [DVP01PU-S](#) [DVP06XA-S](#) [DVP08SN11T](#) [DVP08SP11R](#) [DVDPNET-SL](#) [DVPDT01-S](#) [EFB0412HHA](#) [BUE-](#)  
[20015](#) [IFD8520](#) [1-NPO/603-1339](#) [20114-80](#) [20310-80](#) [900-\(1C\)-30A-12VDC](#) [166-DPDT-13A-6VDC](#) [ADP485-01](#) [AFB0412MA](#)  
[FFB1212VHE-F00](#) [1-NPO/603-1326](#) [20243-81](#) [23595-73](#) [PMC-12V150W1BA](#) [CME-COP01](#) [31000-82](#) [310-4PDT-10A-110VAC](#) [32003-81](#)  
[32007-82](#) [32007-84](#) [320-4PDT-3A-110VAC](#) [320-4PDT-3A-24VAC](#) [TP05G-BT2](#) [TP-PCC](#) [53682-83](#) [31003-82](#) [31004-84](#)