



Specification For Approval

Customer : _____
Description : _____ EC FAN _____
Customer Part No. : _____ Rev : _____
Delta Model No. : _____ GTB023EUG10R-V E1 _____ Rev : 07
Safety Model No. : _____ GTB023EUG10 _____
Sample Issue No. : _____
Sample Issue Date : _____ 10/17/2022 _____

Please send one copy of this specification back after
you signed approval for production pre-arrangement

Approved by : _____

Date : _____

Delta Electronics, Inc.

No.252, Shangying Road, Guishan Industrial Zone,

Taoyuan City, 33341, Taiwan

TEL : +886-3-359-1968

FAX : +886-3-359-1991

Electronically Commutated (EC) Fan

Centrifugal Fan

225 (225 x 99 mm)



Delta Electronics, Inc.
 No.252, Shangying Road, Guishan
 Industrial Zone, Taoyuan City, 33341,
 Taiwan
 TEL: +886-3-359-1968
 FAX: +886-3-359-1991
www.deltaww.com



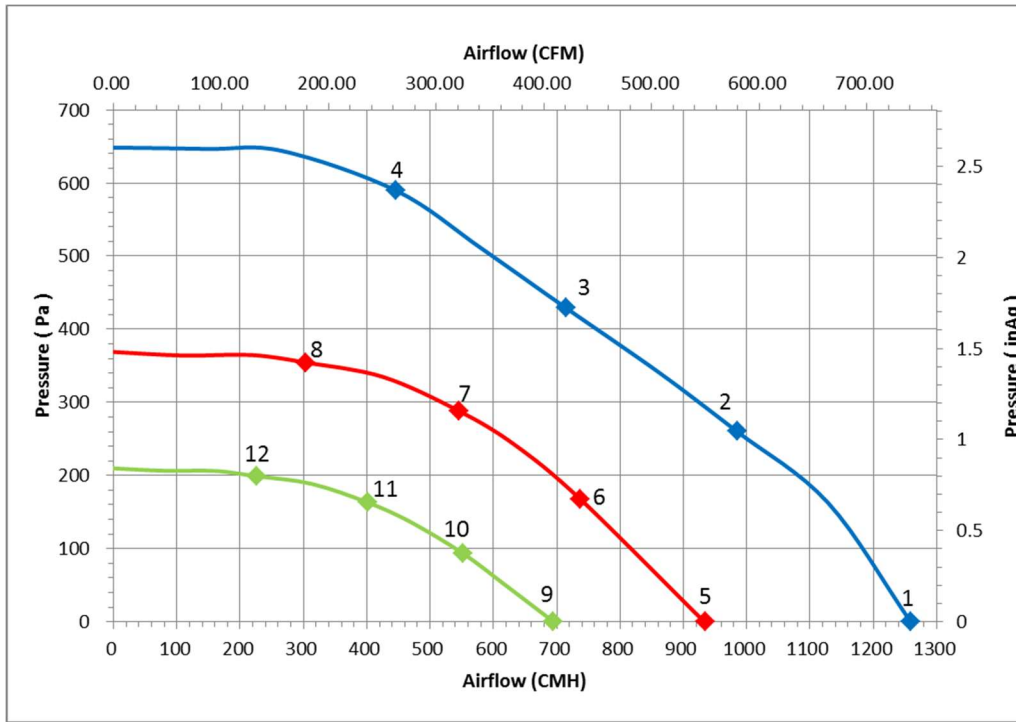
Technical features

Input Side	
Nominal Voltage	1~ 230Vac 50/60Hz
Input Source	1~ 200Vac - 240Vac
Power @ Free air	135 W
Power @ Max. load	180 W
Power Factor	>0.95 @230Vac max load
Output Side	
Speed (RPM)	3000
Qmax. (CMH / CFM)	1260 / 741
Pmax. (Pa / inAq)	650 / 2.6
Noise (dB-A) @ Qmax.	72.0
Functions	
Control input 0-10VDC or PWM pattern.	
Output +10VDC(±10%), max. 5mA.	
Locked rotor protection, Soft start.	

Physical	
Rotation Direction	CW, Seen on rotor
Material (Impeller / Frame)	Plastic / Aluminum
Bearing system	Ball bearings
Weight (kg)	1.6
Electrical leads	Lead wire
Environmental	
Operating temperature range	-25 ~ +60 °C
Storage temperature range	-40 ~ +80 °C
Safety	
Safety	UL , cUL , TUV , CE , UKCA
IP Level	IP54
EMC	EN61000-6-1/3
	EN61000-3-2/3
Protection class	I
Insulation class	B
Leakage current	<= 3.5 mA
Motor protection	Over temperature protected
Life expectancy	60,000 hrs at 40 °C / 15 ~ 65 %RH

NOTE : Delta reserves the right to change specifications and other product information without prior notice.

P & Q curves



Measure data:

	P [Pa]	Q [CMH]	N [R.P.M.]	P1 [W]	I [A]	Lp [dB(A)]
1	0	1259	3210	136	0.60	72.0
2	260	985	3095	176	0.77	70.0
3	429	715	2986	176	0.78	68.0
4	589	447	3104	176	0.77	72.0
5	0	935	2408	64	0.29	65.5
6	167	738	2403	87	0.39	64.5
7	288	545	2400	95	0.43	63.0
8	354	304	2400	83	0.38	64.0
9	0	695	1808	32	0.18	60.5
10	93	552	1801	42	0.21	58.5
11	163	401	1811	46	0.22	56.5
12	199	226	1807	41	0.20	57.0

Test Condition :

- Input Voltage: Nominal Voltage
- Temperature : Room Temperature
- Humidity : 65%RH
- Measured with inlet cone.
- Noise (Lp) is measured at a distance of one meter from the inlet side.
- Testing method is compliance with ISO 3745.

ErP Directive:

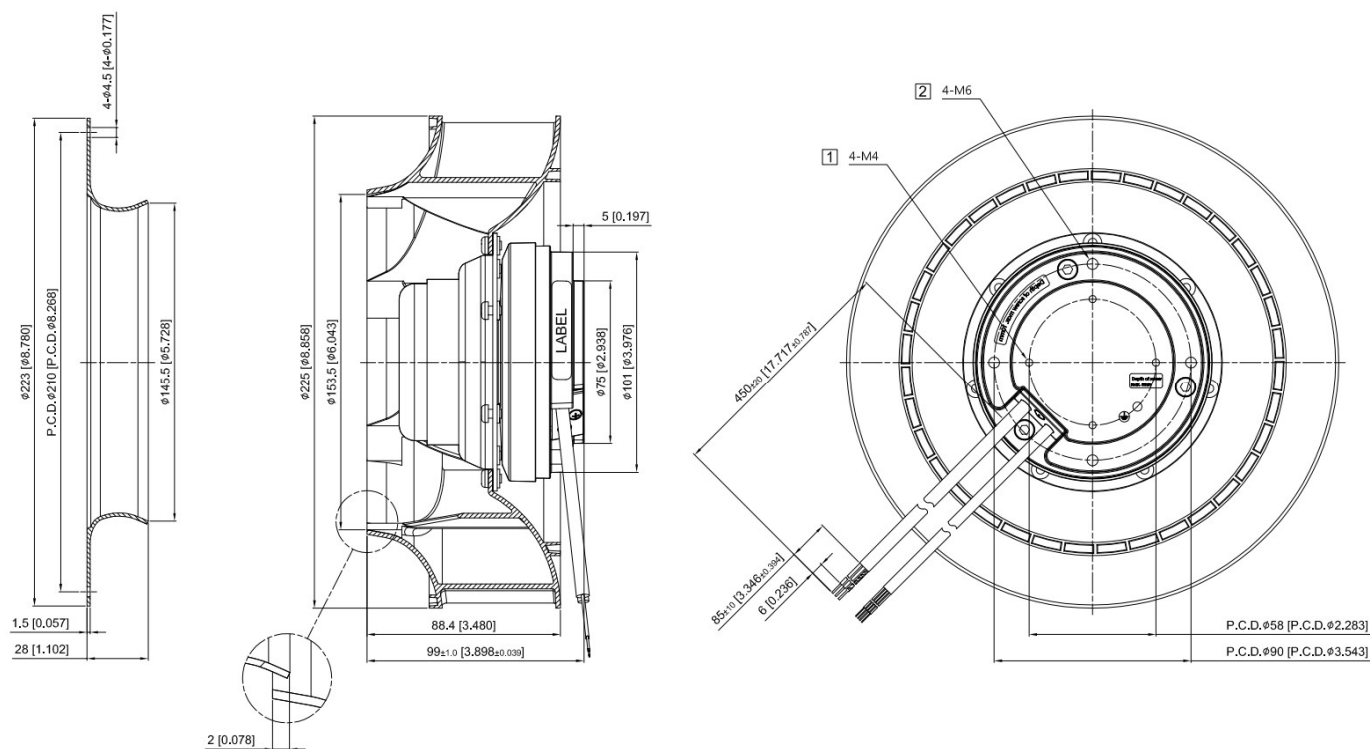
	Actual	2015
Over all Eff (%)	55.0	43.6
Eff Grade N	73.4	62.0
Power (kW)	0.176	
Air flow (CMH)	715	
Pressure (Pa)	429	
Speed (RPM)	2986	

Dimension drawing

Label :



Fan :

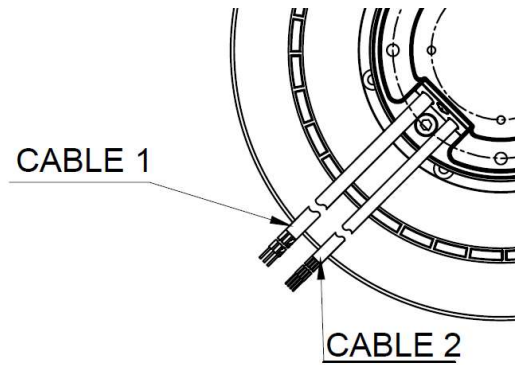


UNIT : mm [INCH]

Note :

1. Depth of screw : 5 mm(max.).
2. Depth of screw : 10 mm(max.).

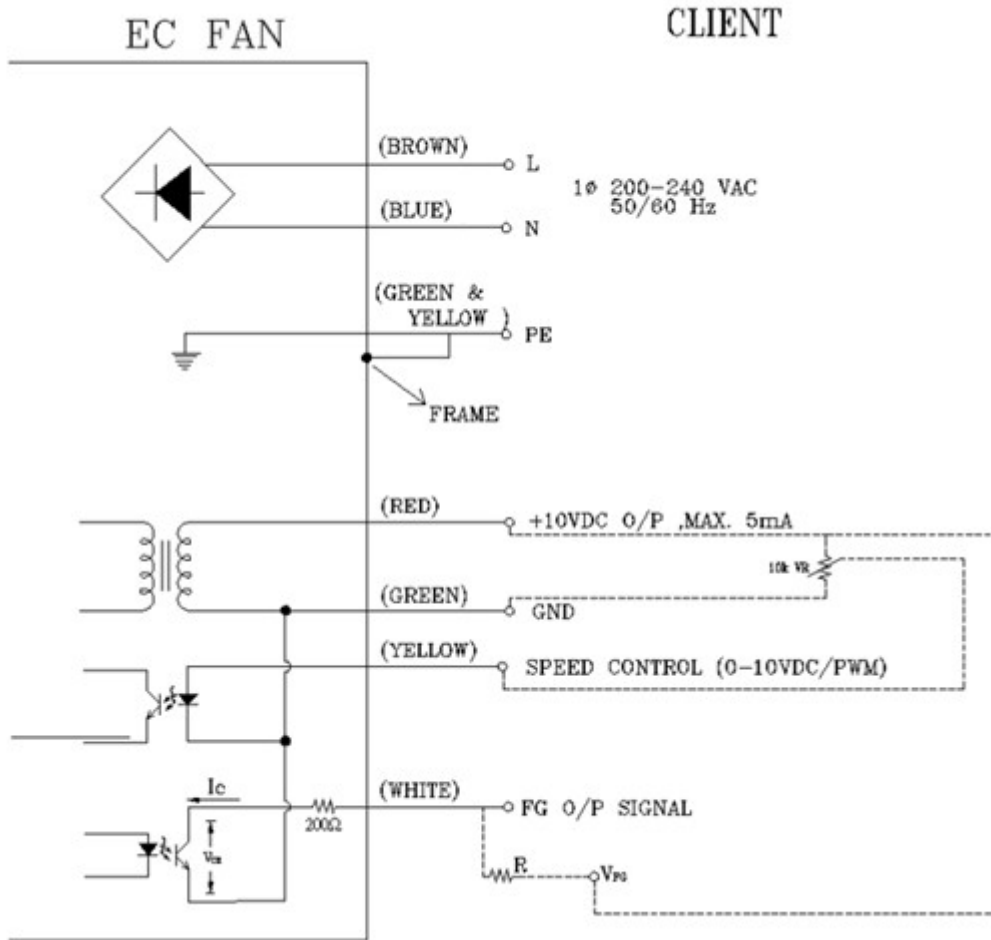
Definition of cable

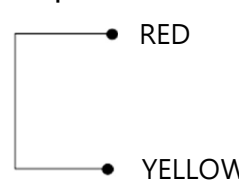
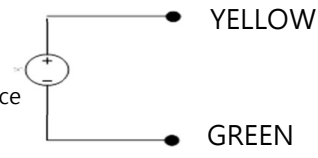



Cable	Wire Type	Color	Functions
1	UL2464 18#AWG	Brown	Line/ AC main
		Blue	Neutral/AC main
		Green / Yellow	Protective Earth

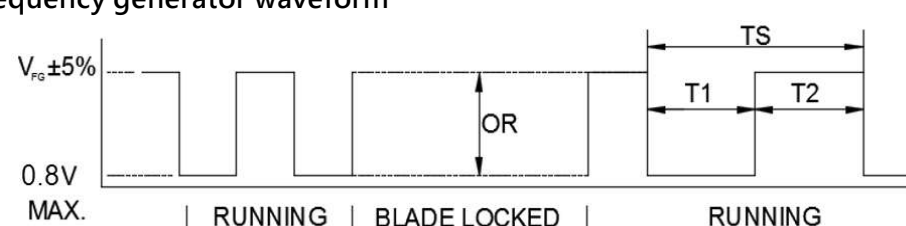
Cable	Wire Type	Color	Functions
2	UL2464 24#AWG	Green	Ground
		Red	+10V output
		White	F00
		Yellow	0-10VDC / PWM

Lead wire connection

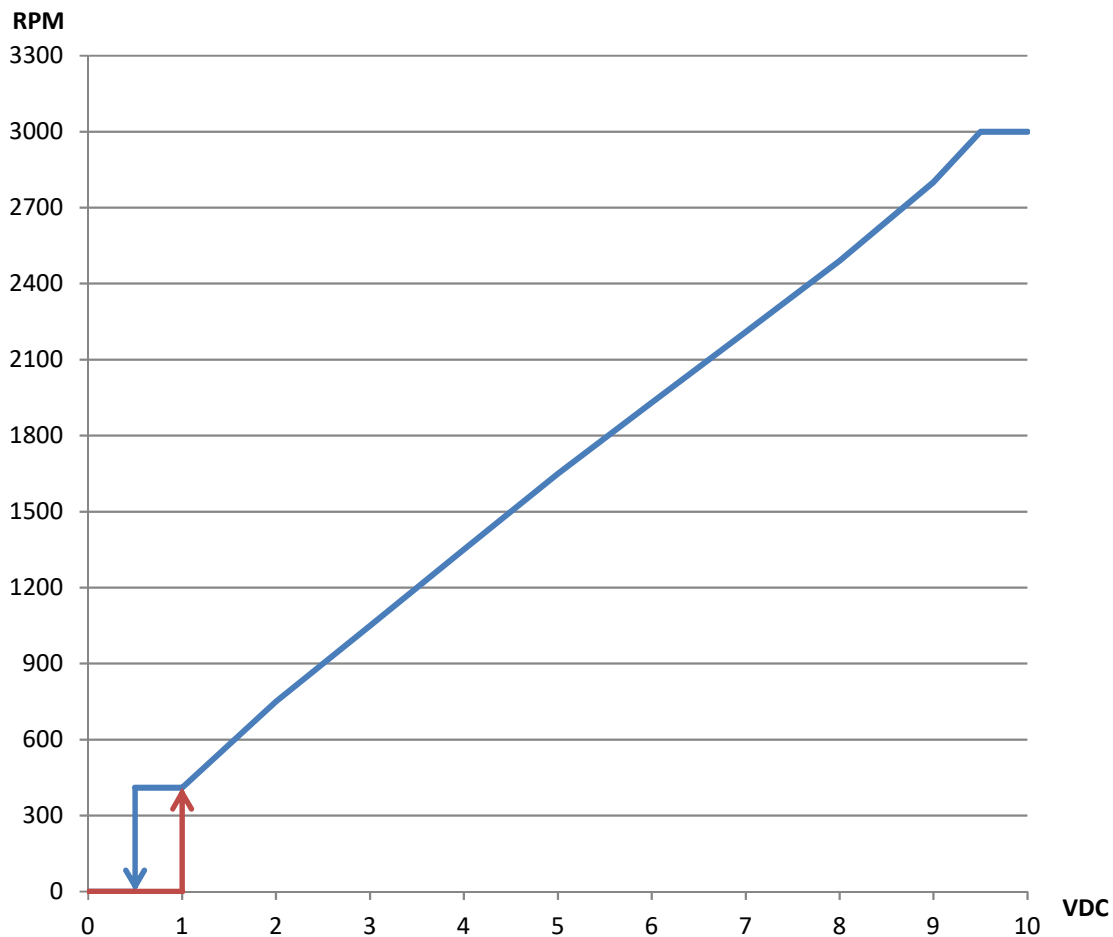


Speed setting	
<p>Full Speed</p> 	<p>Short RED & YELLOW Fan will run full speed.</p>
<p>Voltage Control</p> 	<p>Use voltage source support 0~10VDC voltage DC+ : connect to YELLOW DC - : connect to GREEN -Voltage higher than 1.0 VDC, fan start up. -Voltage lower than 0.5 VDC , fan stop</p>
<p>PWM Control</p> 	<p>PWM duty control PWM amplitude is 10VDC(+/-5%) Frequency Range is 100Hz ~ 100kHz -PWM duty higher than 10%, fan start up ° -PWM duty lower than 5%, fan stop °</p>

Note : The PWM pin supply voltage must be less than 11VDC.

Signal function																
<p>Voltage/PWM control</p>	<p>The speed comparison will control level</p> <table border="1"> <thead> <tr> <th>Voltage (V)</th> <th>PWM(%)</th> <th>Speed (RPM) (REF)</th> </tr> </thead> <tbody> <tr> <td>0</td> <td>0</td> <td>0</td> </tr> <tr> <td>1</td> <td>10</td> <td>410</td> </tr> <tr> <td>5</td> <td>50</td> <td>1650</td> </tr> <tr> <td>10</td> <td>99</td> <td>3000</td> </tr> </tbody> </table>	Voltage (V)	PWM(%)	Speed (RPM) (REF)	0	0	0	1	10	410	5	50	1650	10	99	3000
Voltage (V)	PWM(%)	Speed (RPM) (REF)														
0	0	0														
1	10	410														
5	50	1650														
10	99	3000														
<p>FG</p>	<p> $V_{CE(sat)} = 0.8V \text{ MAX.}$ $V_{FG} = 30.0V \text{ MAX.}$ $I_C = 5mA \text{ MAX.}$ $R \geq V_{FG} / I_C$ </p> <p>Frequency generator waveform</p>  <div style="border: 1px solid black; padding: 5px; width: fit-content; margin: 10px auto;"> <p> $N=R.P.M$ 1 PULSE PER REVOLUTION $TS=60/N(SEC)$ $T1=T2=1/2 TS$ </p> </div>															

Control Voltage VS. RPM Curve



Note: If the fan is used on heavy load, the speed will be limited by power consumption.

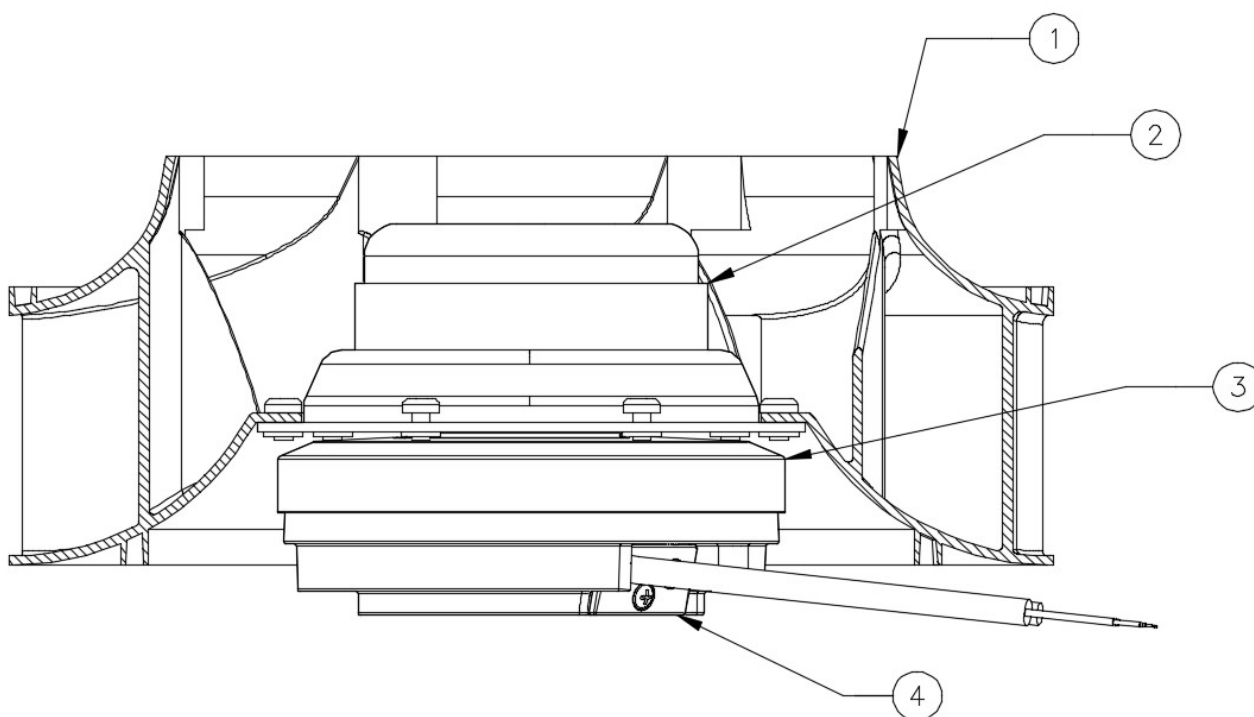
Voltage	0	0.5	1	2	3	4	5	6	7	8	9	10	VDC
PWM duty	0	5	10	20	30	40	50	60	70	80	90	100	%

Protection Standard

ITEM	Standard
Rain	IEC 60529 IPX4
Dust/sand	IEC 60529 IP5X
Gas corrosion	GR-63-CORE
Salt mist	IEC 60068-2-11

FAN MATERIAL:

- ① Blades: Plastic (PA66+15%GF)
- ② Rotor: Steel with black electrodeposition coating
- ③ Pillow: Die-cast aluminum
- ④ Bottom Cover: Die-cast aluminum



X-ON Electronics

Largest Supplier of Electrical and Electronic Components

Click to view similar products for [Blowers & Centrifugal Fans](#) category:

Click to view products by [Delta](#) manufacturer:

Other Similar products are found below :

[R2D140-AB02-14](#) [R2D160-AC02-13](#) [R2D220-AA24-13](#) [R4D310-AS18-01](#) [R4D400-AD22-06](#) [R4E180-AS11-09](#) [R4S175-AA16-12](#)
[AIF60112](#) [AIF801724](#) [BR300W100](#) [AIF641714](#) [R1G220-AB07-09](#) [R2E180CH0312](#) [R2S150-AD08-09](#) [RD20S-4/210660](#) [RH56M-6/204689](#)
[D2E146-CD51-09](#) [D2E160-AH02-15](#) [TP04G-AS2](#) [K2E225-RA92-09](#) [D4E133-AA01-51](#) [D4E180-BA04-18](#) [Z4.802.1680.0](#) [55462.19890](#)
[K1G200-AA73-02](#) [G2D160-AF02-01](#) [G2S150-AB56-42](#) [D4E225-BC01-02](#) [D2E146-HT67-63](#) [K1G220-AA67-02](#) [M39012/26-0101](#) [D4E225-BC01-23](#) [R3G190-AB23-02](#) [55410.91750](#) [55462.19891](#) [R1G120-AD17-11](#) [R3G250-AM70-01](#) [R2E225-AG05-20](#) [R2E225-RA02-47](#)
[RER225-63/18/2TDMP](#) [D2E146-HT65-64](#) [R2D225-AG02-12](#) [3612751](#) [G2D140-AC30-18](#) [55416.32](#) [55416.35](#) [55442.41](#) [R2E225-AB05-05](#)
[DB0870605H1A-BT0](#) [DB0870505H1A-BT0](#)