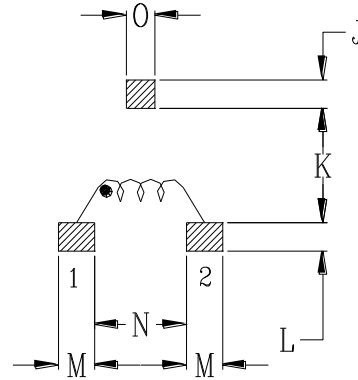
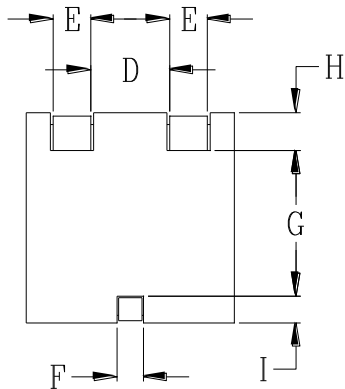
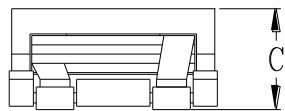
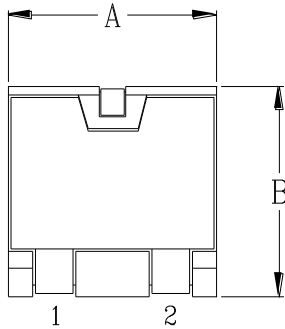




DELTA P/N : HMU1056H Series

Mechanical dimensions



PCB LAYOUT

Dimensions (Unit : mm)

A	10.4 MAX	I	1.2 ± 0.3
B	10.4 MAX	J	1.7
C	5.6MAX	K	6.7
D	3.0 ± 0.3	L	2.6
E	2.5 ± 0.3	M	3.0
F	1.4 ± 0.2	N	2.5
G	6.7 ± 0.3	O	2.0
H	2.1 ± 0.3		

Electrical Characteristics: @25°C, 100KHz, 1V

Delta P/N	L ¹ (uH)	DCR (mΩ) MAX	Isat ² (A)	Ir ³ (A)
HMU1056H-R15	0.15	1.7	55	19
HMU1056H-0R3	0.3	2.4	40	17.7
HMU1056H-0R5	0.5	4.1	30.4	13
HMU1056H-0R8	0.8	5.3	25.2	11.2
HMU1056H-1R2	1.2	7.5	21	9
HMU1056H-1R5	1.5	10.5	18	7.8
HMU1056H-2R0	2.0	12.4	15.8	7.4
HMU1056H-2R5	2.5	18.0	14	6.2
HMU1056H-3R0	3.0	23.8	12.6	4.9

1. Tolerance of inductance :±30% for 0.15~0.3uH, ±20% for 0.5~3.0uH.
2. Isat is the DC current which cause the inductance drop to less than 35%(20% typical) of its nominal inductance without current.
3. Ir is the DC current which cause the surface temperature of the part increase less than 45 °C.
4. Operating temperature: -40°C to 125°C (Self-temperature rise included).

X-ON Electronics

Largest Supplier of Electrical and Electronic Components

Click to view similar products for [Fixed Inductors](#) category:

Click to view products by [Delta](#) manufacturer:

Other Similar products are found below :

[MLZ1608M6R8WTD25](#) [MLZ1608N6R8LT000](#) [MLZ1608N3R3LTD25](#) [MLZ1608N3R3LT000](#) [MLZ1608N150LT000](#)

[MLZ1608M150WTD25](#) [MLZ1608M3R3WTD25](#) [MLZ1608M3R3WT000](#) [MLZ1608M150WT000](#) [MLZ1608A1R5WT000](#)

[MLZ1608N1R5LT000](#) [B82432C1333K000](#) [PCMB053T-1R0MS](#) [PCMB053T-1R5MS](#) [PCMB104T-1R5MS](#) [CR32NP-100KC](#) [CR32NP-](#)

[151KC](#) [CR32NP-180KC](#) [CR32NP-181KC](#) [CR32NP-1R5MC](#) [CR32NP-390KC](#) [CR32NP-3R9MC](#) [CR32NP-680KC](#) [CR32NP-820KC](#)

[CR32NP-8R2MC](#) [CR43NP-390KC](#) [CR43NP-560KC](#) [CR43NP-680KC](#) [CR54NP-181KC](#) [CR54NP-470LC](#) [CR54NP-820KC](#) [CR54NP-8R5MC](#)

[MGDQ4-00004-P](#) [MGDU1-00016-P](#) [MHL1ECTTP18NJ](#) [MHL1JCTTD12NJ](#) [PE-51506NL](#) [PE-53601NL](#) [PE-53630NL](#) [PE-53824SNLT](#) [PE-](#)

[62892NL](#) [PE-92100NL](#) [PG0434.801NLT](#) [PG0936.113NLT](#) [PM06-2N7](#) [PM06-39NJ](#) [HC2LP-R47-R](#) [HC2-R47-R](#) [HC3-2R2-R](#) [HC8-1R2-R](#)