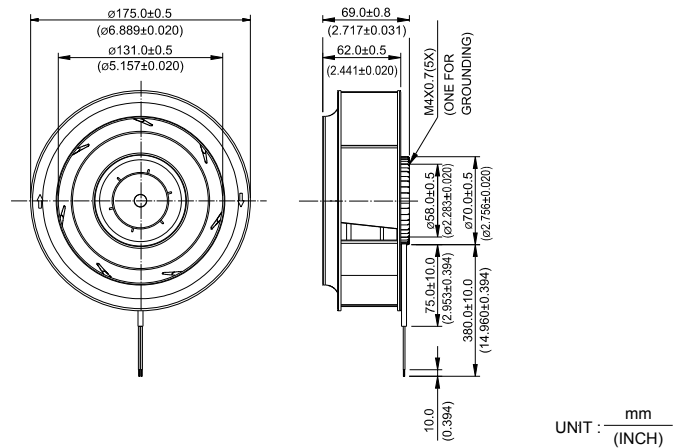
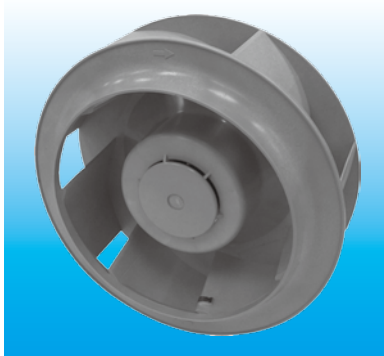


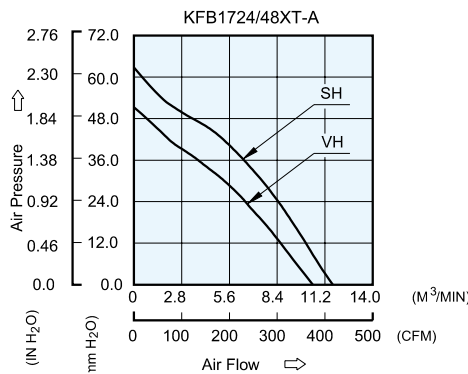
# KFB $\phi 175 \times 69$ MM SERIES

## DIMENSIONS DRAWING

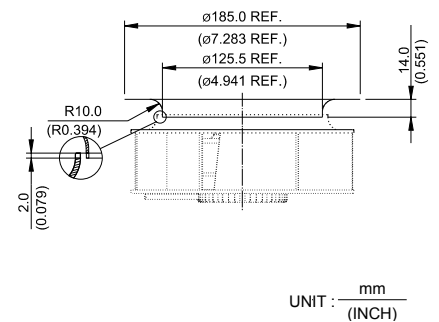


- \* Bearing Type  
Ball Bearings
- \* Material  
Impeller : Plastic (UL 94V-0)  
Pillow : Die-Cast Aluminum
- \* Lead Wires :  
UL 1430 AWG #22 OR Equivalent  
Red Wire Positive(+)  
Black Wire Negative(-)
- \* Weight : 670g (23.62 oz)

## P & Q CURVE (AT RATED VOLTAGE)



## MOUNTING PANEL CUTOUT



| MODEL      |      |           | Rated Voltage | Operating Voltage Range | Input Current | Input Power | Speed  | Maximum Air Flow    |        | Maximum Air Pressure |                     | Noise |
|------------|------|-----------|---------------|-------------------------|---------------|-------------|--------|---------------------|--------|----------------------|---------------------|-------|
| PART NO.   | REV. | FUNCTION  | VDC           | VDC                     | Amp           | Watt        | R.P.M. | m <sup>3</sup> /min | CFM    | mmH <sub>2</sub> O   | IN H <sub>2</sub> O | dB-A  |
| KFB1724VHT | -A   | -R00/-F00 | 24            | 14.0 to 27.6            | 2.27          | 54.48       | 3600   | 10.609              | 374.67 | 49.88                | 1.964               | 70.0  |
| KFB1748VHT | -A   | -R00/-F00 | 48            | 28.0 to 60.0            | 1.13          | 54.24       |        |                     |        |                      |                     |       |
| KFB1724SHT | -A   | -R00/-F00 | 24            | 14.0 to 27.6            | 3.14          | 75.36       | 4000   | 11.688              | 412.78 | 61.03                | 2.403               | 73.0  |
| KFB1748SHT | -A   | -R00/-F00 | 48            | 28.0 to 53.0            | 1.45          | 69.60       |        |                     |        |                      |                     |       |

\* Function type is optional.  
 \* The max. air flow and the speed are measured in free air ; max. air pressure is measured at zero air flow.  
 \* Noise is measured in anechoic chamber in free air, one meter from intake side.  
 \* All readings are typical values at rated voltage.  
 \* Specifications are subject to change without notice.

## X-ON Electronics

Largest Supplier of Electrical and Electronic Components

*Click to view similar products for [Blowers](#) category:*

*Click to view products by [Delta](#) manufacturer:*

Other Similar products are found below :

[G2E120-CR21-13](#) [R2D160-AC02-13](#) [R2D220-AA24-13](#) [RLF35-812N2P-103](#) [KFB1724VHT-AF00](#) [D4E133-AA01-51](#) [D4E133-DH61-D1](#)  
[D4E180-BA04-18](#) [Z4.802.1680.0](#) [R3G280-AK54-01](#) [G3G120-BB13-02](#) [1398425-1](#) [R2D225-AV02-14](#) [D2E146-HT67-63](#) [BFB0524HH-R00](#)  
[R3G133-AE17-02](#) [D4E225-BC01-23](#) [R3G190-AB23-02](#) [RER101-36/14N/2HHA-184](#) [G3G160-AC70-01](#) [R3G250-AM70-01](#) [R2E160-AY47-](#)  
[10](#) [R2E180-AS77-40](#) [R87B-PF01](#) [R87F-A3A83H](#) [R87F-A4A15MP](#) [R87T-A6A07H](#) [MF50151VX-B00U-A99](#) [BFB0512HH-T50F](#)  
[BFB0712H](#) [109BD12HA2](#) [109BD24HD2](#) [109BF12MA2](#) [109BF12MC2](#) [109BF24HA2](#) [109BF24HC2](#) [109BD12MC2](#) [109BF12HA2](#)  
[109BF12HC2](#) [109BF24HD2](#) [R3G280-AF45-81](#) [BFB0724H-T500](#) [R87F-A3A15HP](#) [R87F-A4A93HP](#) [R87F-A3A93HP](#) [R2E140-AS77-05](#)  
[R2E180-AS77-22](#) [R2E180-CB28-01](#) [14539GA-12N-AA-00](#) [R87F-A1A85HP](#)