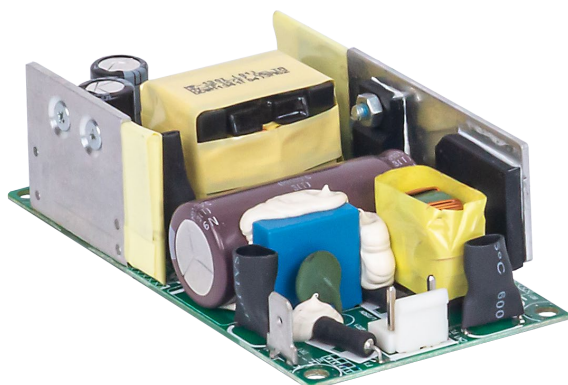


# MDS Medical AC-DC Open Frame

## 15 Volt, 100 Watt / MDS-100BPS15 B

# 100BPS15 B



### Highlights & Features

- Safety Approvals to IEC 60601-1 3.1rd ed. & IEC 62368-1
- Compliant with IEC 60601-1-2 4th Ed. Requirements
- Compact size 2"x4"
- Low touch current (<0.1 mA Normal & <0.3 mA single fault)
- Over-Voltage/Load/Temperature & Short Circuit protections
- 1 Million Hours MTBF
- 2 x MOPP (means of patient protection)

### Safety Standards



CB Certified for worldwide use

|                                |   |
|--------------------------------|---|
| <b>Model Number:</b>           | MDS-100BPS15 B                                |
| <b>Unit Weight:</b>            | 150 grams (5.3 ounces)                        |
| <b>Dimensions (W x L x H):</b> | 50.8 x 101.6 x 31.8 mm<br>2.0 x 4.0 x 1.25 in |

### General Description

The MDS series of embedded power supply come with universal AC input at 90 Vac to 264 Vac. Other features include low touch current, risk management report available and the electric shock protection comply with 2 x MOPP. The MDS series is certified for EMC standards according to EN/BS EN 55011 for industrial, scientific and medical (ISM) radio-frequency equipment and EN/BS EN 55032 for Information Technology Equipment (ITE) radio-frequency equipment. In addition, only recognized Japanese capacitors are used.

The MDS series of embedded power supply come with both medical and ITE safety approvals including UL/cUL/CCC/CE and CB certification and are fully compliant with RoHS Directive for environmental protection.

### Model Information

#### Medical AC-DC Open Frame

| Model Number   | Input Voltage | Output Voltage | Conversion Current Output | Forced Air Current Output |
|----------------|---------------|----------------|---------------------------|---------------------------|
| MDS-100BPS15 B | 90-264 Vac    | 15 Vdc         | 5.3 A                     | 6.7 A                     |

### Model Numbering

|   |   |  |  |   |          |
|---|---|--|--|---|----------|
| <b>MDS</b><br><small>Delta Medical power Supply</small> | - | <b>100</b><br><small>Max wattage in the product series.<br/>Maybe lower at some voltage.<br/>100 → 100 W</small> | <b>BPS</b><br><small>Family Code</small> | <b>15</b><br><small>Output Voltage<br/>Single Output:<br/>15 for 15 V</small> | <b>B</b> |
|---|---|--|--|---|----------|

# MDS Medical AC-DC Open Frame

## 15 Volt, 100 Watt / MDS-100BPS15 B

### Specifications

#### Input Ratings / Characteristics

|                             |   |
|-----------------------------|---|
| Nominal Input Voltage       | 100-240 Vac   |
| Input Voltage Range         | 90-264 Vac  |
| Nominal Input Frequency     | 50-60 Hz  |
| Input Frequency Range       | 47-63 Hz  |
| Input Current (max)         | 2.5 A @ 100 Vac, 1.25 A @ 240 Vac                                       |
| Efficiency (typ.)           | 88.2%, Reference Fig. 1   |
| Standby Power (max)         | 0.3 W   |
| Inrush Current (typ.)       | 40 A @ 115 Vac, 80 A @ 230 Vac  |
| Touch Current (max)         | 0.1 mA @ 264 Vac NC <sup>1)</sup> , 0.3 mA @ 264 Vac SFC <sup>2)</sup>  |
| Earth Leakage Current (max) | 0.15 mA @ 264 Vac NC <sup>1)</sup> , 0.3 mA @ 264 Vac SFC <sup>2)</sup> |

1) NC: normal condition

2) SFC: single fault condition

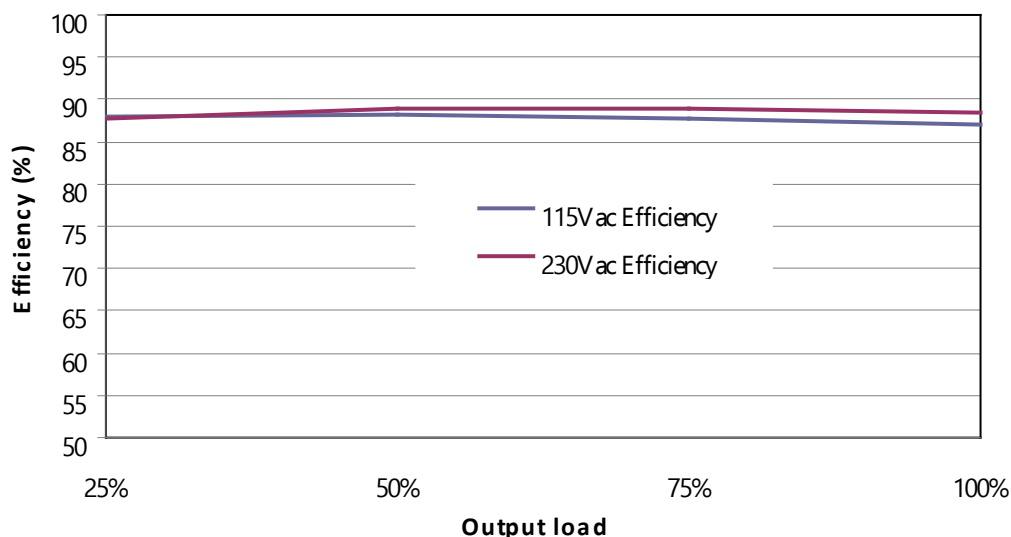


Fig.1 Efficiency versus output load

#### Output Ratings / Characteristics

|   |   |
|---|---|
| Nominal Output Voltage                                | 15 Vdc  |
| Total Regulation                                      | ±1.5%   |
| Output Current  | 6.7 A with 10 CFM force air, 5.3 A for convection |
| Output Power  | 100 W with 10 CFM force air, 80 W for convection  |
| Line Regulation (max)                                 | ±0.5%   |
| Load Regulation (max)                                 | ±1%   |
| Ripple & Noise (typ.)                                 | 51.2 mV pk-pk @ Full load, Reference Fig. 2       |
| Start-up Time (max)                                   | 3000 ms @ 115 Vac                                 |
| Hold-up Time (min)                                    | 10 ms @ 115 Vac                                   |
| Dynamic Response (Overshoot & Undershoot O/P Voltage) | ± 3% @ 50-100% load                               |

\*Periodic and Random Deviation

# MDS Medical AC-DC Open Frame

## 15 Volt, 100 Watt / MDS-100BPS15 B

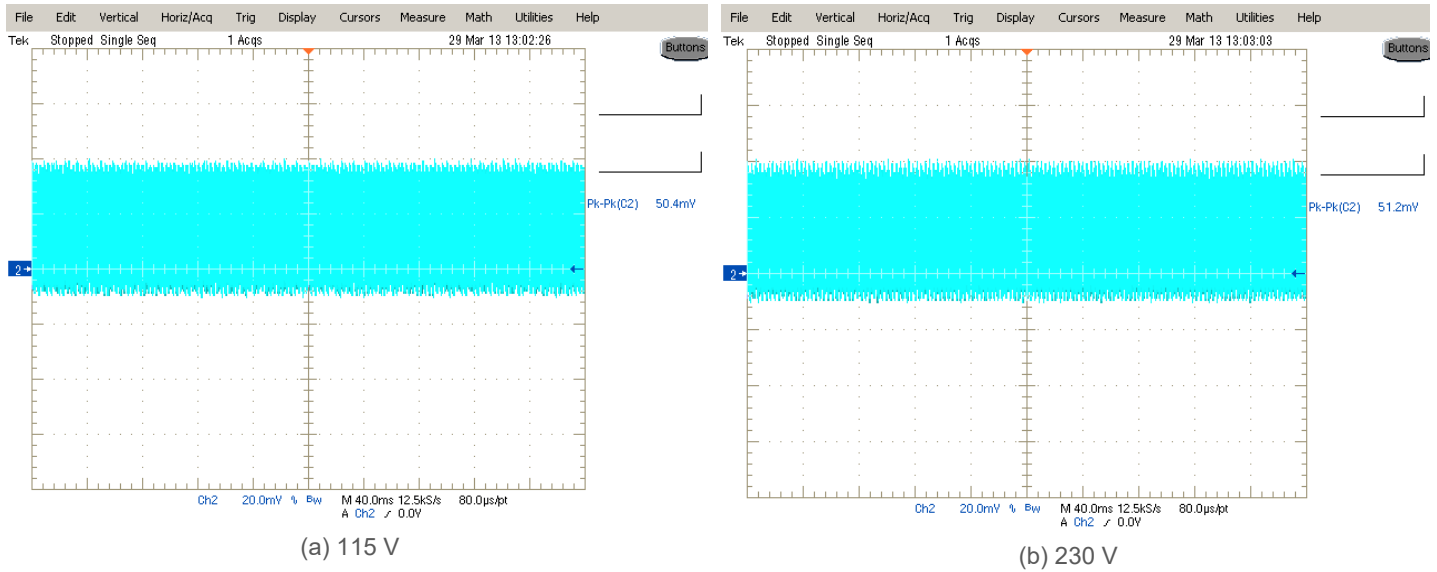
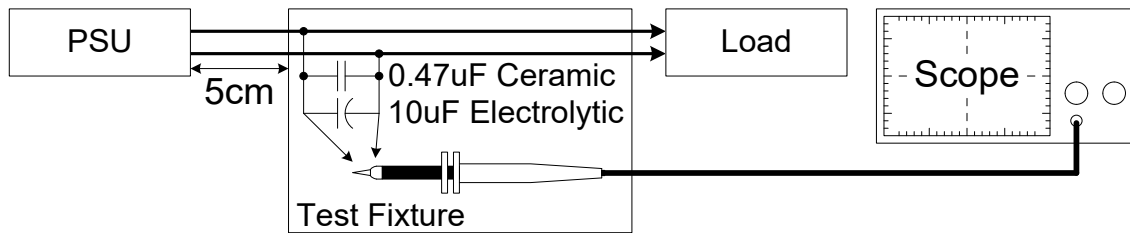


Fig. 2 Ripple & Noise example, 20 MHz BW

Ripple & Noise measurement circuit



### Mechanical

|                        |  |        |
|------------------------|--|--------|
| Dimensions (W x L x H) | 50.8 x 101.6 x 31.8 mm (2.0 x 4.0 x 1.25 in) |        |
| Weight (typ.)          | 150 grams (5.3 ounces)                       |        |
| Terminal               | Input  | JST 2P |
|                        | Output                                       | JST 4P |

### Environment

|                             |   |  |
|-----------------------------|---|--|
| Surrounding Air Temperature | Operating   | -10°C to +70°C   |
|                             | Storage   | -40°C to +85°C   |
| Power De-rating             | -10°C to +50°C 100% load<br>50°C to 70°C de-rate power by 2.5% / °C, See Fig. 3 |  |
| Operating Humidity          | 10-95% RH (Non-Condensing)  |  |
| Altitude                    | Operating   | -400 to 5,000 meters (-1310 to 16,400 feet or 106 to 54k Pa) |
|                             | Non-Operating   | -400 to 5,575 meters (-1310 to 18,290 feet or 106 to 50k Pa) |
| Shock Test                  | Non-Operating   | 50 G, 11 ms, 3 shocks for each direction                     |
| Vibration                   | Non-Operating   | 5-500 Hz, 2.09 Grms, 20 minute for each three axis           |

# MDS Medical AC-DC Open Frame

## 15 Volt, 100 Watt / MDS-100BPS15 B

### Protections

|                                |  |
|--------------------------------|--|
| Over Voltage (max)             | 150%, Latch Mode   |
| Over Load / Over Current (max) | 170% of rated load current, Hiccup Mode, (Non-Latching, Auto-Recovery) |
| Over Temperature               | Hiccup Mode, (Non-Latching, Auto-Recovery)                             |
| Short Circuit                  | Hiccup Mode, (Non-Latching, Auto-Recovery)                             |
| Protection Against Shock       | Class I with PE* connection  |

\*PE: Protective Earth

### Reliability Data

|             |   |
|-------------|---|
| MTBF (typ.) | 1 Million Hours based on Telcordia SR-332 |
|-------------|---|

### Safety Standards / Directives

|                    |  |          |
|--------------------|--|----------|
| Medical Safety     | IEC 60601-1 3 <sup>rd</sup> and 3.1 <sup>rd</sup> edition CB report<br>IEC 60601-1 edition 3.1 <sup>rd</sup> (2012), EN 60601-1 (2006) + A11 + A1 + A12, CAN/CSA-C22.2 NO. 60601-1:14, ANSI/AAMI ES 60601-1:2005/(R)2012 |          |
| ITE Safety         | IEC 60950-1 (Ed.2,2005), IEC 62368-1 CB report GB4943.1 2011, GB9254-2008, GB17625.1-2003  |          |
| CE                 | In conformance with EMC Directive 2014/30/EU and Low Voltage Directive 2014/35/EU<br>EN 60601-1: 2006 + A11: 2011 + A1L 2013 + A12: 2014 & EN 60601-1-2: 2015  |          |
| UKCA               | In conformance with Electrical Equipment (Safety) Regulations 2016 and Electromagnetic Compatibility Regulations 2016, Medical Devices Regulations 2002 (UK MDR 2002)  |          |
| Galvanic Isolation | Input to Output  | 4000 Vac |
|                    | Input to Ground  | 1500 Vac |
|                    | Output to Ground   | 500 Vac  |

# MDS Medical AC-DC Open Frame

## 15 Volt, 100 Watt / MDS-100BPS15 B

### EMC (Compliant with IEC 60601-1-2 4th Ed. Requirements)

|                                   |                |  |
|-----------------------------------|----------------|--|
| EMC / Emissions                   |                | EN/BS EN 55011, EN/BS EN 55032, FCC Title 47: Class B  |
| Harmonic Current Emissions        | IEC 61000-3-2  | Meet Class A limit   |
| Immunity to                       |                |  |
| Voltage Flicker                   | IEC 61000-3-3  |  |
| Electrostatic Discharge           | IEC 61000-4-2  | Level 4 Criteria A <sup>1)</sup><br>Air Discharge: 15 kV<br>Contact Discharge: 8 kV  |
| Radiated Field                    | IEC 61000-4-3  | Criteria A <sup>1)</sup><br>80 MHz-2700 MHz, 10 V/m AM modulation<br>385 MHz-5785 MHz, 28 V/m Pulse mode and other modulation  |
| Electrical Fast Transient / Burst | IEC 61000-4-4  | Level 3 Criteria A <sup>1)</sup> : 2 kV  |
| Surge                             | IEC 61000-4-5  | Level 3 Criteria A <sup>1)</sup><br>Common Mode <sup>3)</sup> : 2 kV<br>Differential Mode <sup>4)</sup> : 1 kV   |
| Conducted                         | IEC 61000-4-6  | Level 2 Criteria A <sup>1)</sup><br>150 kHz-80 MHz, 3 Vrms, 6 Vrms at ISM bands and<br>Amateur radio bands   |
| Power Frequency Magnetic Fields   | IEC 61000-4-8  | Criteria A <sup>1)</sup><br>Magnetic field strength 30 A/m   |
| Voltage Dips                      | IEC 61000-4-11 | Criteria B <sup>2)</sup><br>0% U <sub>T</sub> , 0.5 cycle (10 ms),<br>0°/45°/90°/135°/180°/225°/270°/315°/360°<br><br>Criteria B <sup>2)</sup><br>0% U <sub>T</sub> , 1 cycle (20 ms), 0°<br><br>Criteria A <sup>1)</sup><br>70% U <sub>T</sub> , 25 cycle (500 ms), 0°<br><br>Criteria B <sup>2)</sup><br>0% U <sub>T</sub> , 250 cycle (5000 ms), 0° |

1) Criteria A: Normal performance within the specification limits

2) Criteria B: Output out of regulation, or shuts down during test. Automatically restore to normal operation after test.

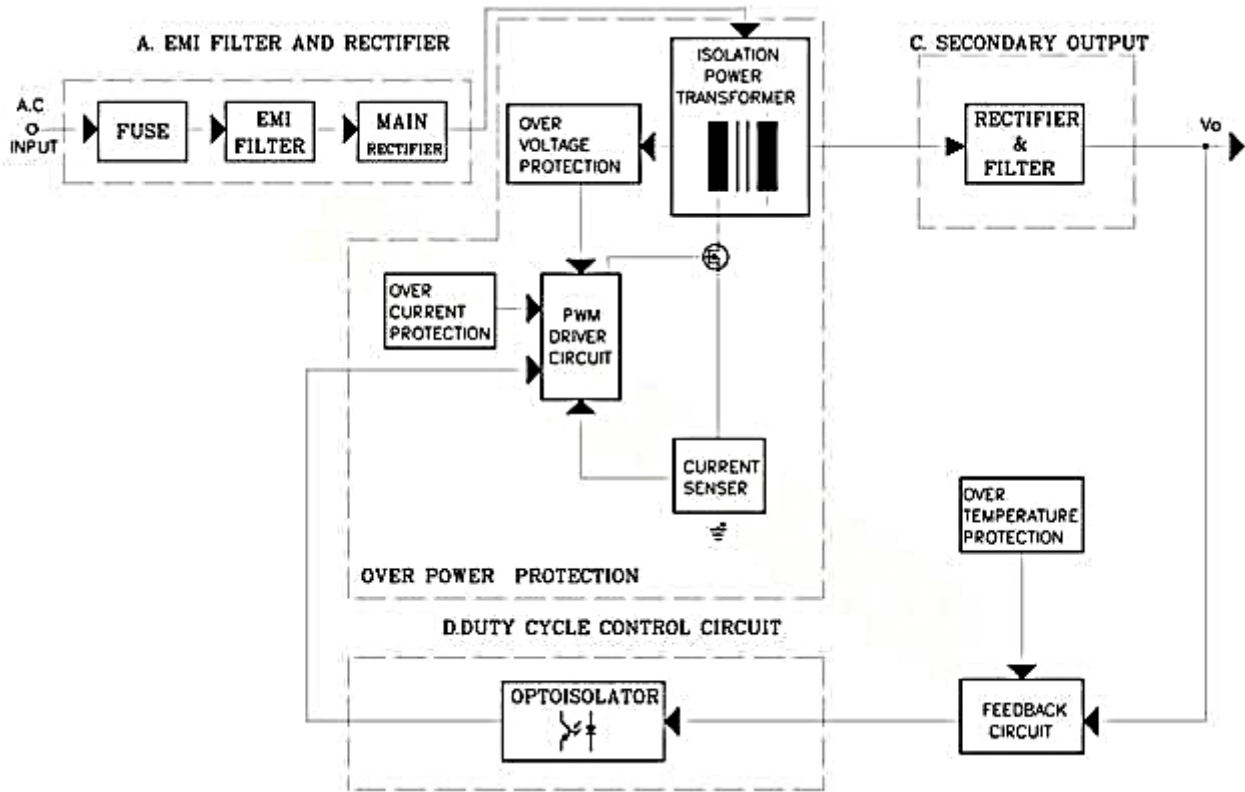
3) Asymmetrical: Common mode (Line to earth)

4) Symmetrical: Differential mode (Line to line)

# MDS Medical AC-DC Open Frame

## 15 Volt, 100 Watt / MDS-100BPS15 B

### Block Diagram

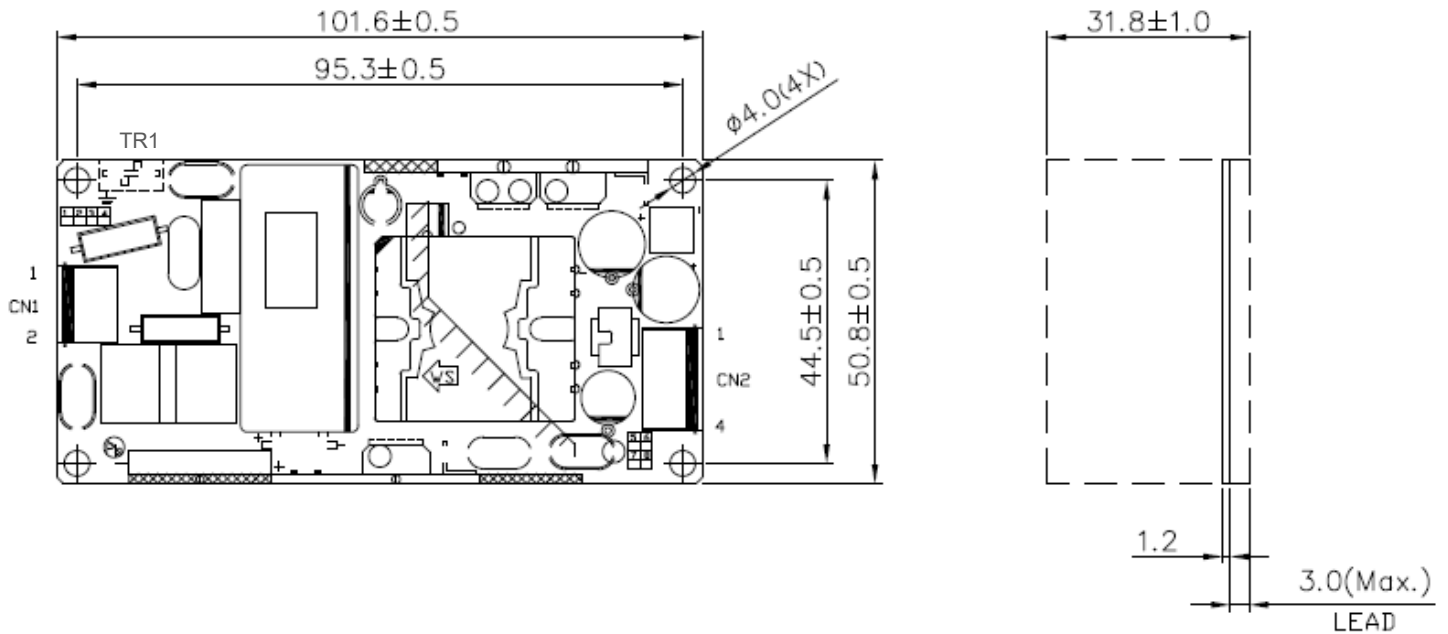


# MDS Medical AC-DC Open Frame

## 15 Volt, 100 Watt / MDS-100BPS15 B

### Dimensions

W x L x H: 50.8 x 101.6 x 31.8 mm (2.0 x 4.0 x 1.25 in)



PIN ASSIGNMENT TABLE

| ITEM        | PIN NO. | FUNCTION | CONNECTOR  |
|-------------|---------|----------|--|
| CN1<br>(AC) | 1       | L        | JST: B2P3-VH(LF)(SN)<br>MATING WITH JST: VHR-3N<br>(middle terminal should be blank) |
|             | 2       | N        |  |
| CN2<br>(DC) | 1       | +V       | JST: B4P-VH(LF)(SN)<br>MATING WITH JST: VHR-4N                                       |
|             | 2       |          |  |
|             | 3       | GND      |  |
|             | 4       |          |  |

TR1 : KANG YANG PCH250 mates with KST:FDNYD1-187 or other applicable connectors.  
System protective earth connection can be connected to the enclosed cover or to TR1

### Notes

- Dimensions are in mm
- For Open Frame type: There are 4 normal mounting holes. To ensure EMC performance, all mounting holes shall be connected to metal case.

# MDS Medical AC-DC Open Frame

## 15 Volt, 100 Watt / MDS-100BPS15 B

### Power De-rating

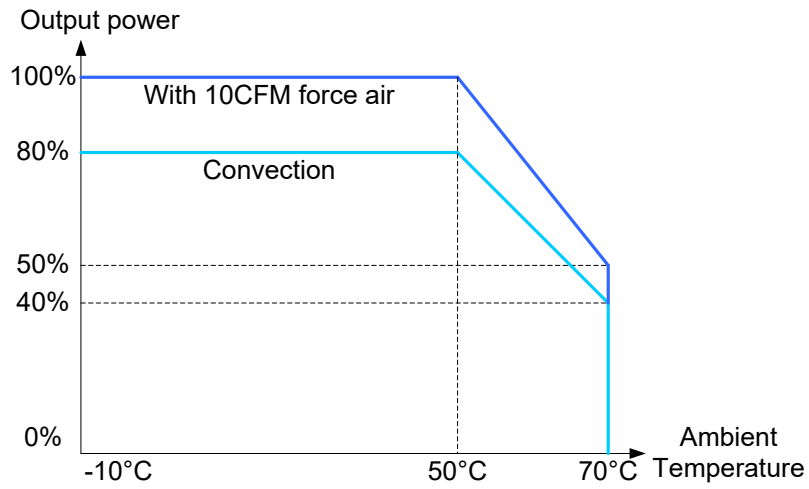
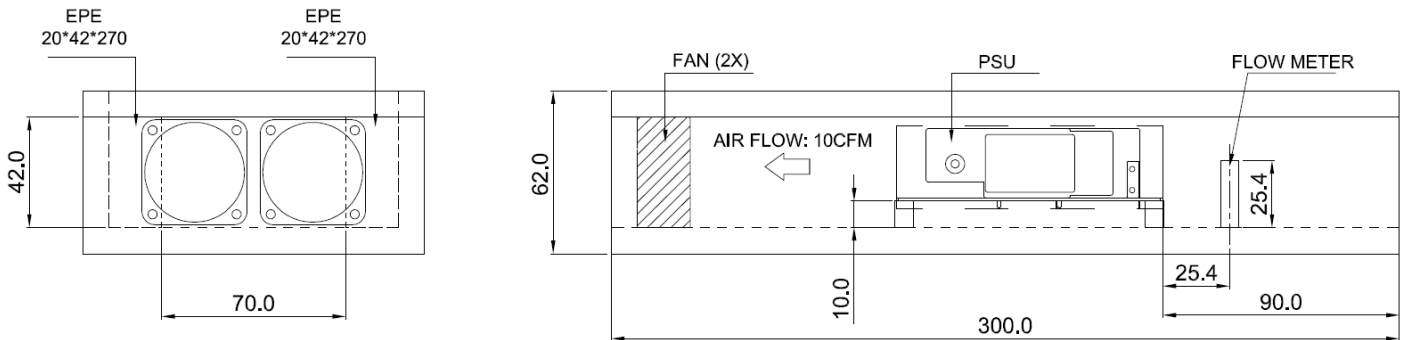


Fig. 3

### Load De-rating Fixture and Test Setup. Fan is DELTA Part Number EFB0412VHD





# MDS Medical AC-DC Open Frame

## 15 Volt, 100 Watt / MDS-100BPS15 B

### Functions

#### Start-up Time

The time required for the output voltage ( $V_o$ ) to reach 90% of its set value, after the input AC voltage is applied.

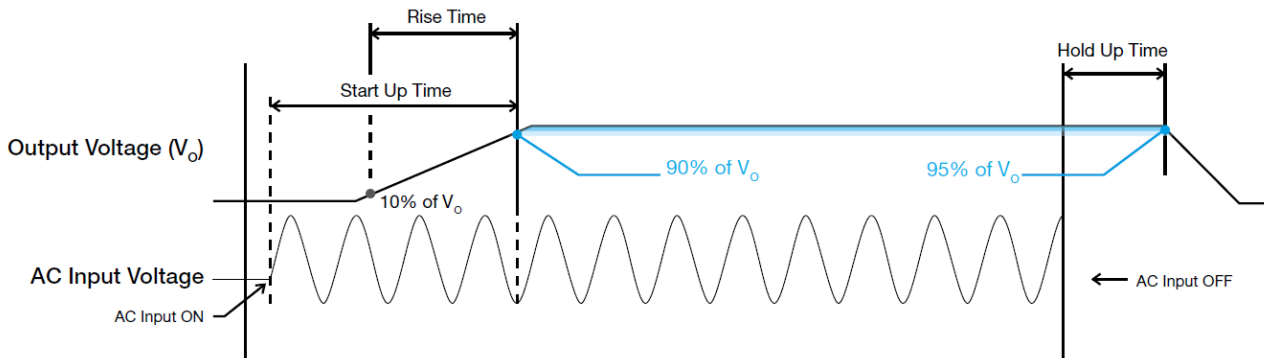
#### Rise Time

The time required for the output voltage ( $V_o$ ) to change from 10% to 90% of its steady state value.

#### Hold-up Time

Hold up time is the time when the AC input collapses and output voltage retains regulation for a certain period of time. The time required for the output to reach 95% of its set value, after the input voltage is removed.

#### ■ Graph illustrating the Start-up Time, Rise Time, and Hold-up Time

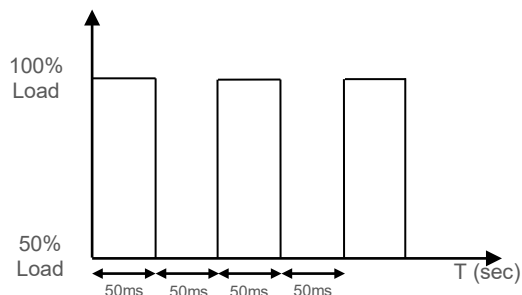


# MDS Medical AC-DC Open Frame

## 15 Volt, 100 Watt / MDS-100BPS15 B

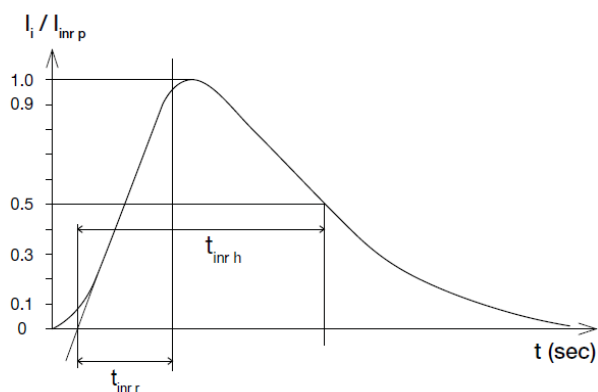
### Dynamic Response

The power supply output voltage will remain within  $\pm 3\%$  of its steady state value, when subjected to a dynamic load change from 50 to 100% of its rated current.



### Inrush Current

Inrush current is the input current that occurs when the input voltage is first applied. For AC input voltages, the maximum peak value of inrush current will occur during the first half cycle of the applied AC voltage. This peak value decreases exponentially during subsequent cycles of AC voltage.



### Overvoltage Protection

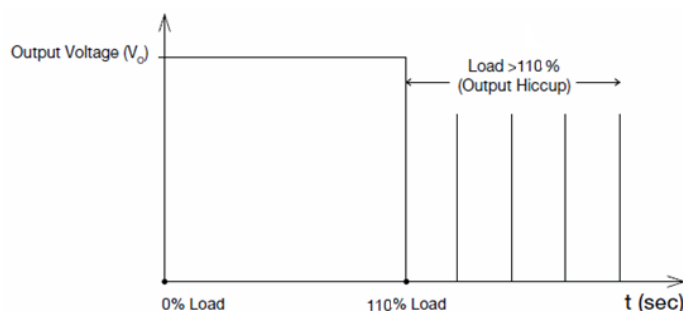
The power supply's overvoltage circuit will be activated when its internal feedback circuit fails. The output voltage shall not exceed its specifications defined on Page 4 under "Protections". Power supply will latch off, and require removal/re-application of input AC voltage in order to restart.

### Short Circuit Protection

The power supply's output OLP/OCP function also provides protection against short circuits. When a short circuit is applied, the output current will operate in "Hiccup mode", as shown in the illustration in the OLP/OCP section on this page. The power supply will return to normal operation after the short circuit is removed.

### Overload & Over current Protections

The power supply's Overload (OLP) and Over current (OCP) Protections will be activated when output current is between 110% and 170% of  $I_o$  (Max load). Upon such an occurrence,  $V_o$  will start to drop. Once the power supply has reached its maximum power limit, the protection will be activated. and the power supply will go into "Hiccup mode" (Auto-Recovery). The power supply will recover once the fault condition causing the OLP and OCP is removed and  $I_o$  is back within the specified limit.



Additionally, if the  $I_o$  is  $< 110\%$  but  $> 100\%$  for a prolonged period of time (depending on the load), the Over Temperature Protection (OTP) will be activated due to high temperature on critical components. The power supply will then go into hiccup mode until the fault is removed; and, the input voltage is removed, then reapplied.

### Over Temperature Protection

As mentioned above, the power supply also has Over Temperature Protection (OTP). This is activated when the overload condition persists for an extended duration and the output current is below the overload trigger point but  $> 100\%$  load. In the event of a higher operating condition at 100% load, the power supply will run into OTP when the surrounding air temperature is higher than the operating temperature. When activated, the output voltage will go into hiccup mode until the input voltage is removed; then, reapplied, and the surrounding air temperature drops to its normal operating temperature.

# MDS Medical AC-DC Open Frame

## 15 Volt, 100 Watt / MDS-100BPS15 B

### Certificate



Delta has been certified as meeting the requirement of ISO 13485: 2003 and EN ISO 13485:2012 for the design and manufacture of switching power supply and adaptor for medical device.



In addition to a UL Total Certification Program (TCP) approved client laboratory for IEC 62368-1. Delta also has participated UL Client Test Data Program (CDTP) for IEC 60601

### Attention

Delta provides all information in the datasheets on an "AS IS" basis and does not offer any kind of warranty through the information for using the product. In the event of any discrepancy between the information in the catalog and datasheets, the datasheets shall prevail (please refer to [www.DeltaPSU.com](http://www.DeltaPSU.com) for the latest datasheets information). Delta shall have no liability of indemnification for any claim or action arising from any error for the provided information in the datasheets. Customer shall take its responsibility for evaluation of using the product before placing an order with Delta.

Delta reserves the right to make changes to the information described in the datasheets without notice.

### Manufacturer and Authorized Representatives Information

#### Manufacturer

Thailand  
Delta Electronics (Thailand) PCL.  
909 Pattana 1 Rd., Muang, Samutprakarn, 10280 Thailand

Taiwan  
Delta Electronics, Inc.  
3 Tungyuan Road, Chungli Industrial Zone, Taoyuan County  
32063, Taiwan

#### Authorized Representatives

The Netherlands  
Delta Greentech (Netherlands) B.V.  
Zandsteen 15, 2132 MZ Hoofddorp, The Netherlands

United Kingdom  
Delta Electronics Europe Limited  
1 Redwood Court, Peel Park Campus,  
East Kilbride, Glasgow, G74 5PF, United Kingdom

## X-ON Electronics

Largest Supplier of Electrical and Electronic Components

*Click to view similar products for [Switching Power Supplies](#) category:*

*Click to view products by [Delta](#) manufacturer:*

Other Similar products are found below :

[70841011](#) [73-551-0005](#) [73-551-0048](#) [PS3E-B12F](#) [PS3E-E12F](#) [AAD600S-4-OP](#) [R22095](#) [KD0204](#) [9021](#) [LDIN100150](#) [LPM000-BBAR-01](#)  
[LPX17S-C](#) [EVS57-10R6/R](#) [FP80](#) [FRV7000G](#) [22929](#) [PS3E-F12F](#) [CQM1IA121](#) [40370121900](#) [VI-PU22-EXX](#) [40370121910](#) [LDIN5075](#)  
[LPM615-CHAS](#) [LPX140-C](#) [09-160CFG](#) [70841025](#) [VPX3000-CBL-DC](#) [VI-LUL-IU](#) [LPM000-BBAR-05](#) [LPM000-BBAR-08](#) [LPM124-](#)  
[OUTA1-48](#) [LPM000-BBAR-07](#) [LPM109-OUTA1-10](#) [LPM616-CHAS](#) [08-30466-1055G](#) [08-30466-2175G](#) [08-30466-2125G](#) [DMB-EWG](#)  
[TVQF-1219-18S](#) [6504-226-2101](#) [CQM1IPS01](#) [SP-300-5](#) [CQM1-IPS02](#) [VI-MUL-ES](#) [22829](#) [08-30466-0065G](#) [VI-RU031-EWWX](#) [08-30466-](#)  
[0028G](#) [EP3000AC48INZ](#) [VP-C2104853](#)