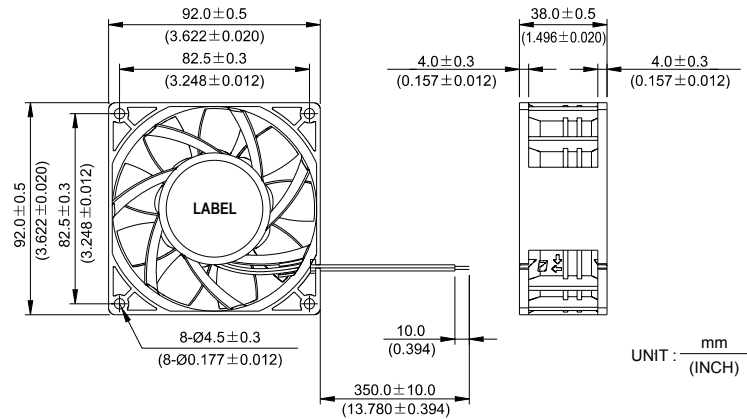


# PFB 92 x 92 x 38 MM SERIES

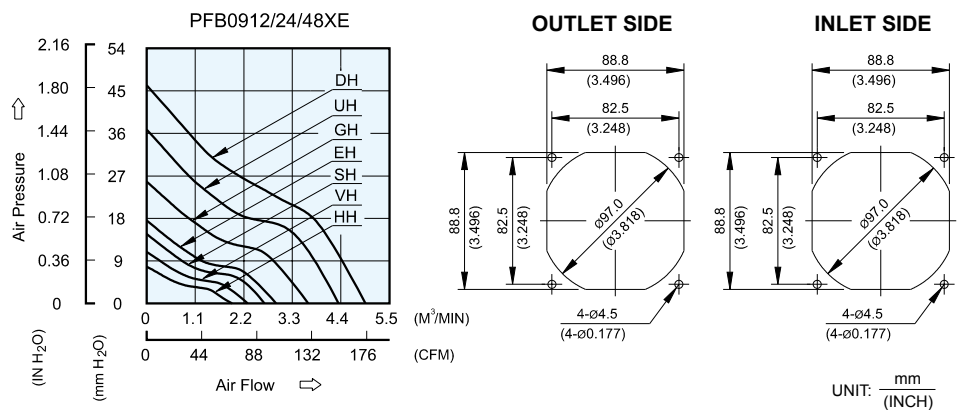
## DIMENSIONS DRAWING



- \* Bearing Type  
Ball Bearings
- \* Material  
Impeller & Frame: Plastic (UL 94V-0)
- \* Lead Wires :  
UL 1007 AWG #24 OR Equivalent  
Red Wire Positive(+)  
Black Wire Negative(-)
- \* Weight : 250g (8.82 oz)

## P & Q CURVE (AT RATED VOLTAGE)

## MOUNTING PANEL CUTOUT



MODEL		Rated Voltage	Operating Voltage Range	Input Current	Input Power	Speed	Maximum Air Flow		Maximum Air Pressure		Noise
PART NO.	FUNCTION	VDC	VDC	Amp	Watt	R.P.M.	m <sup>3</sup> /min	CFM	mmH <sub>2</sub> O	IN H <sub>2</sub> O	dB-A
PFB0912HHE	-R00 / -F00	12	7.0 to 13.2	0.33	3.96	3200	1.933	68.26	7.76	0.305	43.5
PFB0912VHE	-R00 / -F00	12	7.0 to 13.2	0.38	4.56	3800	2.287	80.77	10.88	0.428	46.2
PFB0912SHE	-R00 / -F00	12	7.0 to 13.2	0.55	6.60	4400	2.668	94.22	14.67	0.578	51.7
PFB0912EHE	-R00 / -F00	12	7.0 to 13.2	0.68	8.16	4800	2.936	103.67	17.56	0.691	54.0
PFB0924EHE	-R00 / -F00	24	14.0 to 26.4	0.33	7.92						
PFB0948EHE	-R00 / -F00	48	28.0 to 56.0	0.21	10.08						
PFB0912GHE	-R00 / -F00	12	7.0 to 13.2	1.22	14.64	6000	3.662	129.31	25.78	1.015	60.5
PFB0924GHE	-R00 / -F00	24	14.0 to 26.4	0.63	15.12						
PFB0948GHE	-R00 / -F00	48	28.0 to 56.0	0.36	16.80						
PFB0912UHE	-R00 / -F00	12	7.0 to 13.2	1.96	23.52	7000	4.347	153.52	36.79	1.449	64.0
PFB0924UHE	-R00 / -F00	24	14.0 to 26.4	1.02	24.48						
PFB0948UHE	-R00 / -F00	48	28.0 to 56.0	0.60	28.80						
PFB0912DHE	-R00 / -F00	12	7.0 to 13.2	3.10	37.20	8000	4.957	175.03	46.21	1.819	66.5
PFB0924DHE	-R00 / -F00	24	14.0 to 26.4	1.45	34.80						

\* Function type is optional.  
 \* The max. air flow and the speed are measured in free air ; max. air pressure is measured at zero air flow.  
 \* Noise is measured in anechoic chamber in free air, one meter from intake side.  
 \* All readings are typical values at rated voltage.  
 \* Specifications are subject to change without notice.

## X-ON Electronics

Largest Supplier of Electrical and Electronic Components

*Click to view similar products for [DC Fans](#) category:*

*Click to view products by [Delta](#) manufacturer:*

Other Similar products are found below :

[614R](#) [AUB0612L](#) [AFB0948HH-S687](#) [G2E085-AA05-10](#) [4318/12T](#) [AUB0912H-F00](#) [3412N/2ME](#) [W2G110-AM39-01](#) [8412GLV](#) [8412NGL-12](#) [6448-384](#) [4114N/17-251](#) [4318/2R](#) [4412F/2D](#) [424JMU](#) [4414/2HH](#) [4112 N/12GL-175](#) [9GA0912F402](#) [9GA0812B20011](#)  
[AFB0824SHBAV1](#) [DV5214/2NP-230](#) [9GA0912H4021](#) [THC1548MGDJJ](#) [9GA0812B2001](#) [GFB1224SHG](#) [8500NU](#) [9WG1212E101-E](#)  
[3241.124](#) [DC0401012V2B-3T0](#) [ASFP14391](#) [ASFP64371](#) [ASFP64391](#) [ASFP84391](#) [ASFP92391](#) [9A0612G402](#) [AD5012HB-C71](#)  
[AD5012MB-C71](#) [ASFP84372](#) [ASFP64372](#) [31100-000440-RS](#) [026758A](#) [514F](#) [MEC0381V1-000U-G99](#) [4292](#) [MF60152V1-1000U-G99](#)  
[3610KL-04W-B50-D00](#) [109P0412K3023](#) [EE92251B1-000U-F99](#) [8218J/2H4P](#) [PF60381B1-000U-S99](#)