

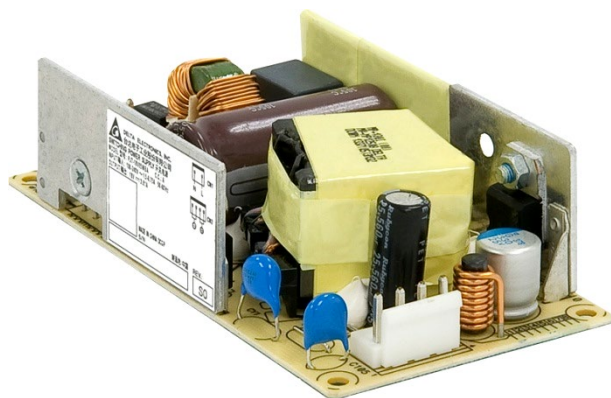
PJT Open Frame Power Supply

PJT-65 W Series / PJT-□□V65WBA□

PJT

Highlights & Features

- Universal AC input voltage
- Standard industrial foot print of 2" x 4"
- Low leakage current < 0.1 mA
- Convection cooled operating temperature range from -10°C to +70°C
- High MTBF > 700,000 hrs as per Telcordia SR-332
- Multiple connector source options



Safety Standards



CB Certified for worldwide use

Model Number: PJT-□□V65WBA□
Unit Weight: 0.13 kg (0.29 lb)
Dimensions (L x W x H): 101.6 x 50.8 x 30 mm [2" x 4"]

General Description

The PJT open frame power supply series offers choices of 12 V, 15 V, 18 V and 24 V nominal output voltages. The single output products are designed with small standard industrial foot prints at 2" x 4". The highly efficient convection cooling designs enable optimum thermal management for high power efficiency. The PJT series of products can operate from -10°C to +70°C across the entire input voltage range of 90 to 264 Vac and are certified for safety standard according to IEC/EN/UL 62368-1 and for EMI standard according to EN/BS EN 55032, Class B.

Model Information

PJT Open Frame Power Supply

| Model Number | Input Voltage Range | Rated Output Voltage | Rated Output Current |
|---------------|---------------------|----------------------|----------------------|
| PJT-12V65WBA□ | 90-264 Vac | 12 Vdc | 5.00 A |
| PJT-15V65WBA□ | | 15 Vdc | 4.20 A |
| PJT-18V65WBA□ | | 18 Vdc | 3.61 A |
| PJT-24V65WBA□ | | 24 Vdc | 2.71 A |

Model Numbering

| PJ | T – | XXV | 65W | B | A | □ |
|------------|--|--|------------------------------------|--------------------------------|------------------|--|
| Open Frame | Product Type T – ITE Application Series | Output Voltage 12 V 15 V 18 V 24 V | Output Power (65W series model) | Package Type B – Open Frame | Family Code A | Harness Connector A – JST connector B – Molex connector* C – JWT connector* |

*Options

PJT Open Frame Power Supply

PJT-65 W Series / PJT-□□V65WBA□

Specifications

| | Model Number | PJT-12V65WBA□ | PJT-15V65WBA□ | PJT-18V65WBA□ | PJT-24V65WBA□ |
|--|--------------|---------------|---------------|---------------|---------------|
|--|--------------|---------------|---------------|---------------|---------------|

Input Ratings / Characteristics

| | | | | | |
|---------------------------------|---|------------|------------|------------|------------|
| Nominal Input Voltage | 100-240 Vac | | | | |
| Input Voltage Range | 90-264 Vac | | | | |
| Nominal Input Frequency | 50-60 Hz | | | | |
| Input Frequency Range | 47-63 Hz | | | | |
| Input Current | < 1.50 A typ. @ 115 Vac | | | | |
| Efficiency at 100% Load | 115 Vac | 86.0% typ. | 87.0% typ. | 87.0% typ. | 87.0% typ. |
| | 230 Vac | 86.5% typ. | 88.5% typ. | 88.0% typ. | |
| Max Power Dissipation | 0.3 W (0% load) | | | | |
| Max Inrush Current (Cold Start) | 30 A typ. @ 115 Vac, 60A typ. @ 230 Vac | | | | |
| Leakage Current | 0.1 mA @ 240 Vac | | | | |

Output Ratings / Characteristics

| | | | | | |
|--|---|--------------------------|--------------|--------------|--------------|
| Nominal Output Voltage | | 12 Vdc | 15 Vdc | 18 Vdc | 24 Vdc |
| Factory Set Point Tolerance | No potentiometer ($\pm 5\%$) | | | | |
| Output Current | | 5.00 A | 4.20 A | 3.61 A | 2.71 A |
| Output Power | | 60 W | 63 W | 65 W | 65 W |
| Line Regulation | $\pm 0.5\%$ @ 115 Vac & 230 Vac | | | | |
| Load Regulation | $\pm 1.0\%$ @ 115 Vac & 230 Vac | | | | |
| PARD* (20MHz) | | < 120 mVpp | < 150 mVpp | < 180 mVpp | < 240 mVpp |
| Start-up Time | 115 Vac | 3000 ms typ. (100% load) | | | |
| | 230 Vac | 1500 ms typ. (100% load) | | | |
| Hold-up Time | 115 Vac | 16 ms typ. (100% load) | | | |
| | 230 Vac | 80 ms typ. (100% load) | | | |
| Dynamic Response (Overshoot & Undershoot O/P Voltage) | $\pm 5\%$ @ 50-100% load (Slew Rate: 0.1 A/ μ S) | | | | |
| Start-up with Capacitive Loads | | 4,000 uF Max | 3,500 uF Max | 3,000 uF Max | 2,000 uF Max |

*PARD is measured with an AC coupling mode, 5cm wires, and in parallel with 0.1 μ F ceramic capacitor & 47 μ F electrolytic capacitor.

Mechanical

| | | | | | |
|----------------|--------------------------------|--|--|--|--|
| Dimensions | 101.6 x 50.8 x 30 mm [2" x 4"] | | | | |
| Unit Weight | 0.13 kg (0.29 lb) | | | | |
| Cooling System | Convection | | | | |
| Terminal | PJT-□□V65WBA <u>A</u> | Input: JST B2P3-VH (LF)(SN) Output: JST B4P-VH (LF)(SN) | | | |
| | PJT-□□V65WBA <u>B</u> | Input: Molex 26-62-4030 Output: Molex 26-60-4040 | | | |
| | PJT-□□V65WBA <u>C</u> | Input: JWT A3963WV2-3P-D Output: JWT A3963WV2-4P | | | |
| Wire | AWG 22-18 | | | | |

PJT Open Frame Power Supply

PJT-65 W Series / PJT-□□V65WBA□

Environment

| | | |
|-----------------------------|--|----------------|
| Surrounding Air Temperature | Operating | -10°C to +70°C |
| | Storage | -40°C to +85°C |
| Power De-rating | > 50°C de-rate power by 2.5% / °C | |
| Operating Humidity | 10 to 95% RH (Non-Condensing) | |
| Operating Altitude | 0 to 5,000 Meters (16,400 ft.) | |
| Shock Test (Non-Operating) | IEC 60068-2-27, Half Sine Wave: 50 G for a duration of 11 ms, 3 shocks for each 3 directions | |
| Vibration (Operating) | IEC 60068-2-6, Sine Wave: 10 Hz to 150 Hz @ 25 m/S ² (2.5 G); 10 min per cycle, 90 min per axis for all X, Y, Z direction | |

Protections

| | | | | |
|--------------------------|---|-------------------------|-------------------------|-------------------------|
| Overvoltage | 13.2-18.0 V, Latch Mode | 16.5-22.5 V, Latch Mode | 19.8-27.0 V, Latch Mode | 26.4-36.0 V, Latch Mode |
| Overload / Overcurrent | > 125% of rated load current, Hiccup Mode, Non-Latching (Auto-Recovery) | | | |
| Over Temperature | Non-Latching (Auto-Recovery) | | | |
| Short Circuit | Hiccup Mode, Non-Latching (Auto-Recovery when the fault is removed) | | | |
| Protection Against Shock | Class I with PE* connection | | | |

*PE: Primary Earth

Reliability Data

| | |
|------------------------|---|
| MTBF | > 700,000 hrs. as per Telcordia SR-332 |
| Expected Cap Life Time | 10 years (115 Vac & 230 Vac, 50% load @ 40°C) |

Safety Standards / Directives

| | | |
|--------------------|--|--|
| Electrical Safety | TUV Bauart UL/cUL recognized | EN 60950-1, EN 62368-1 UL 60950-1 and CSA C22.2 No. 60950-1 (File No. E131881), UL 62368-1 and CSA C22.2 No. 62368-1 (File No. E131881) CCC, BSMI |
| | CB scheme | IEC 60950-1, IEC 62368-1 |
| | CE | In conformance with EMC Directive 2014/30/EU and Low Voltage Directive 2014/35/EU |
| UKCA | In conformance with Electromagnetic Compatibility Regulations 2016 and Electrical Equipment (Safety) Regulations 2016 | |
| Galvanic Isolation | Input to Output | 3.0 KVac |
| | Input to Ground | 2.0 KVac |
| | Output to Ground | 0.5 KVac |

PJT Open Frame Power Supply

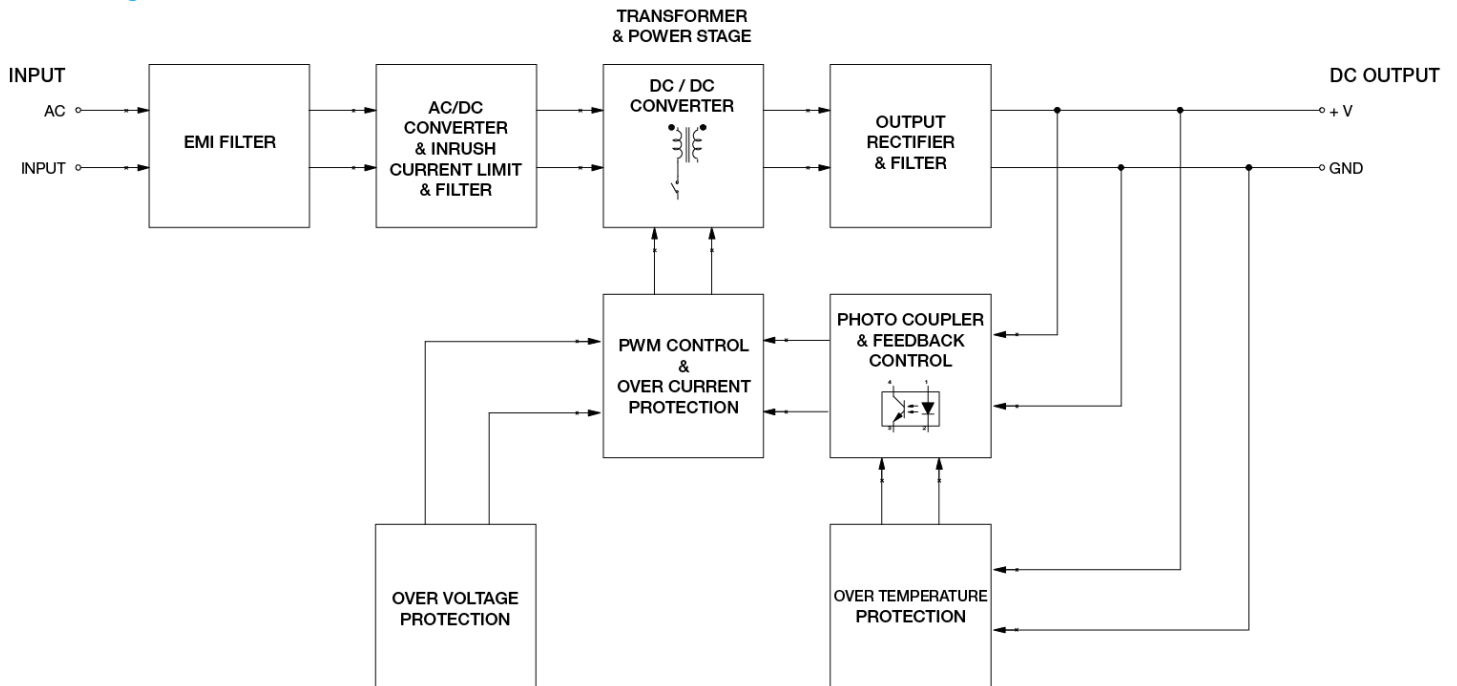
PJT-65 W Series / PJT-□□V65WBA□

EMC

| | | | |
|-----------------------------------|---|--|--|
| Emissions (CE&RE) | CISPR 32, EN/BS EN 55032, FCC Title 47: Class B | | |
| Immunity to | EN/BS EN 55024 | | |
| Electrostatic Discharge | IEC 61000-4-2 | Criteria A ¹⁾ Level 3 Air Discharge: 8 kV Level 3 Contact Discharge: 6 kV | |
| Radiated Field | IEC 61000-4-3 | Level 2 Criteria A ¹⁾ 80 MHz-1 GHz, 3 V/M with 1 kHz tone / 80% modulation | |
| Electrical Fast Transient / Burst | IEC 61000-4-4 | Level 3 Criteria A ¹⁾ 2 kV | |
| Surge | IEC 61000-4-5 | Level 3 Criteria A ¹⁾ Common Mode ²⁾ : 2 kV Differential Mode ³⁾ : 1 kV | |
| Conducted | IEC 61000-4-6 | Level 2 Criteria A ¹⁾ 3 V with 80% AM | |
| Power Frequency Magnetic Fields | IEC 61000-4-8 | Criteria A ¹⁾ Magnetic field strength 3A/Meter | |
| Voltage Dips | IEC 61000-4-11 | 30% dip; 10 ms Criterion A 60% dip; 100 ms Criterion B 95% dip; 5000 ms Criterion B | |
| Voltage Fluctuation and Flicker | IEC/EN/BS EN 61000-3-3 | | |

- 1) Criteria A: Normal performance within the specification limits
- 2) Asymmetrical: Common mode (Line to earth)
- 3) Symmetrical: Differential mode (Line to line)

Block Diagram



PJT Open Frame Power Supply

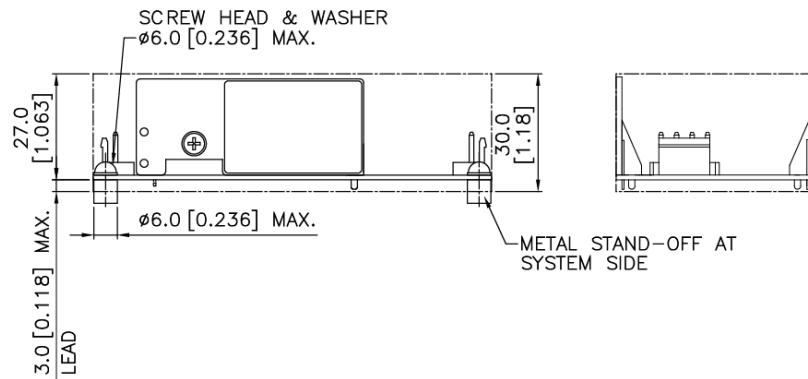
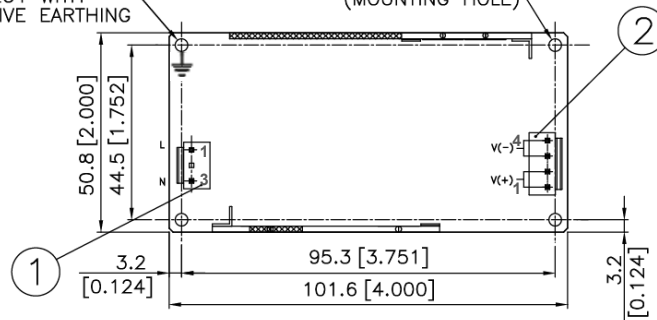
PJT-65 W Series / PJT-□□V65WBA□

Dimensions

L x W x H: 101.6 x 50.8 x 30 mm [2" x 4"]

∅3.2 [0.126] (MOUNTING HOLE)
PE: MUST CONNECT WITH SYSTEM PROTECTIVE EARTHING

3-∅3.2 [0.126] (MOUNTING HOLE)



| Item | Device Description |
|------|---|
| 1 | Input Connector (CN1) Pin 1: Line Pin 2: NC Pin 3: Neutral |
| 2 | Output Connector (CN2) Pin 1 to 2 : V(+) Pin 3 to 4 : V(-) |

PJT Open Frame Power Supply

PJT-65 W Series / PJT-□□V65WBA□

Engineering Data

Output Load De-rating VS Surrounding Air Temperature

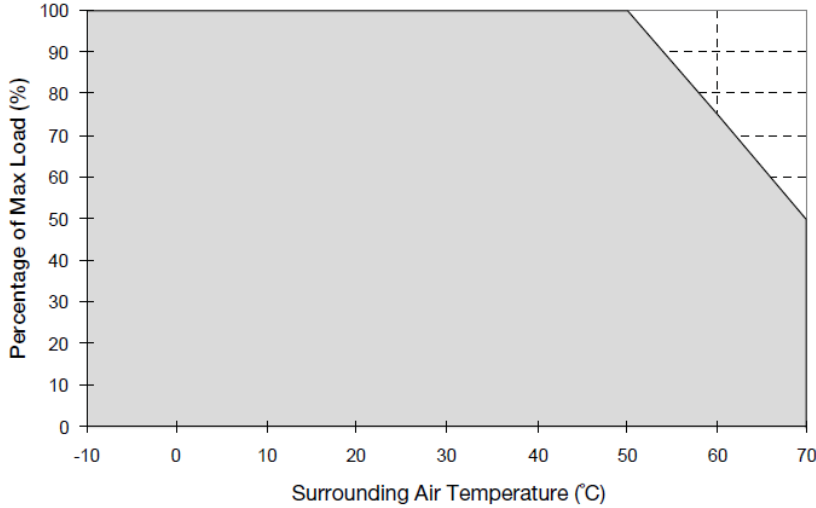
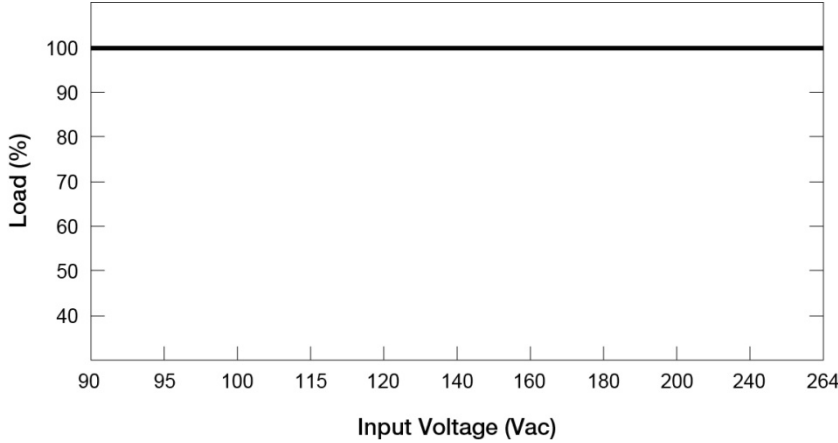


Fig. 1 De-rating for Horizontal Mounting Orientation
 > 50°C de-rate power by 2.5% / °C

Note

1. Power supply components may degrade, or be damaged, when the power supply is continuously used outside the shaded region, refer to the graph shown in Fig. 1.
2. If the output capacity is not reduced when the surrounding air temperature >50°C, the device will run into Over Temperature Protection. When activated, the output voltage will go into bouncing mode and will recover when the surrounding air temperature is lowered or the load is reduced as far as necessary to keep the device in working condition.
3. Depending on the surrounding air temperature and output load delivered by the power supply, the device can be very hot!
4. If the device has to be mounted in any other orientation, please contact info@deltapsu.com for more details.

Output Load De-rating VS Input Voltage



- No output power de-rating for the input voltage from 90 Vac to 264 Vac

■ L Frame / Enclosed

PJT Open Frame Power Supply

PJT-65 W Series / PJT-□□V65WBA□

Functions

Start-up Time

The time required for the output voltage to reach 90% of its final steady state set value, after the input voltage is applied.

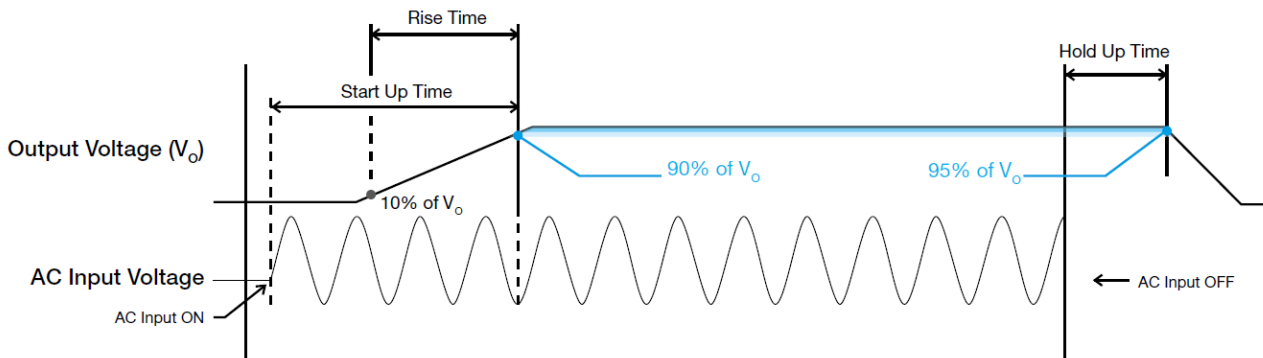
Rise Time

The time required for the output voltage to change from 10% to 90% of its final steady state set value.

Hold-up Time

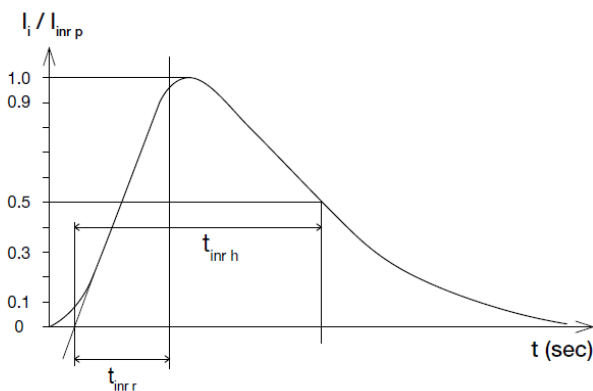
Time between the collapse of the AC input voltage, and the output falling to 95% of its steady state set value.

■ Graph illustrating the Start-up Time, Rise Time, and Hold-up Time



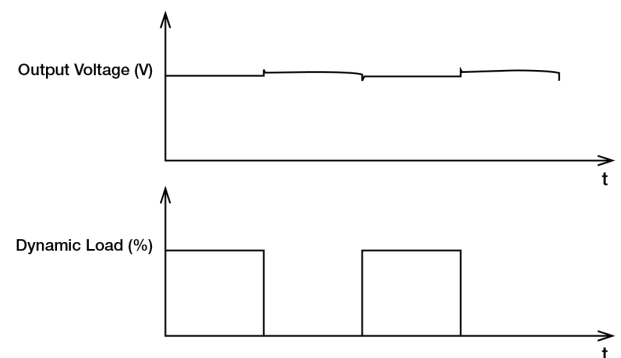
Inrush Current

Inrush current is the peak, instantaneous, input current measured and, occurs when the input voltage is first applied. For AC input voltages, the maximum peak value of inrush current will occur during the first half cycle of the applied AC voltage. This peak value decreases exponentially during subsequent cycles of AC voltage.



Dynamic Response

The power supply output voltage will remain within $\pm 5\%$ of its steady state value, when subjected to a dynamic load from 50 to 100% of its rated current.

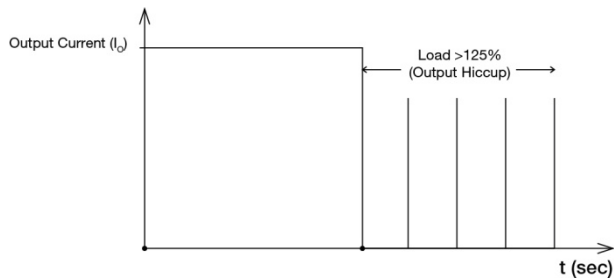


PJT Open Frame Power Supply

PJT-65 W Series / PJT-□□V65WBA□

Overload & Overcurrent Protections (Auto-Recovery)

The power supply's Overload (OLP) and Overcurrent (OCP) Protections will be activated when output current exceeds 125% of I_o (Max load). In such occurrence, the V_o will start to droop and once the power supply has reached its maximum power limit, the protection is activated and the power supply will go into "Hiccup mode" (Auto-Recovery). The power supply will recover once the fault condition of the OLP and OCP is removed and I_o is back within the specifications.



It is not recommended to prolong the duration of I_o when it is <125% but >100%, since it may cause damage to the PSU.

Short Circuit Protection (Auto-Recovery)

The power supply's output OLP/OCP function also provides protection against short circuits. When a short circuit is applied, the output current will operate in "Hiccup mode", as shown in the illustration in the OLP/OCP section on this page. The power supply will return to normal operation after the short circuit is removed.

Others

Attention

Delta provides all information in the datasheets on an "AS IS" basis and does not offer any kind of warranty through the information for using the product. In the event of any discrepancy between the information in the catalog and datasheets, the datasheets shall prevail (please refer to www.DeltaPSU.com for the latest datasheets information). Delta shall have no liability of indemnification for any claim or action arising from any error for the provided information in the datasheets. Customer shall take its responsibility for evaluation of using the product before placing an order with Delta.

Delta reserves the right to make changes to the information described in the datasheets without notice.

Manufacturer and Authorized Representatives Information

Manufacturer

Thailand
Delta Electronics (Thailand) PCL.
909 Pattana 1 Rd., Muang, Samutprakarn, 10280 Thailand

Taiwan
Delta Electronics, Inc.
3 Tungyuan Road, Chungli Industrial Zone, Taoyuan County
32063, Taiwan

Authorized Representatives

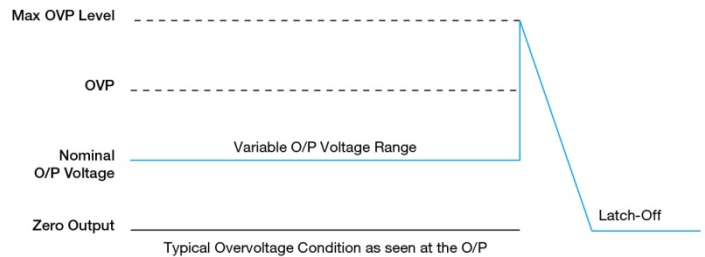
The Netherlands
Delta Greentech (Netherlands) B.V.
Zandsteen 15, 2132 MZ Hoofddorp, The Netherlands

United Kingdom
Delta Electronics Europe Limited
1 Redwood Court, Peel Park Campus,
East Kilbride, Glasgow, G74 5PF, United Kingdom

Overvoltage Protection (Latch Mode)

The power supply's overvoltage circuit will be activated when its internal feedback circuit fails. The output voltage shall not exceed its specifications defined on Page 3 under "Protections". Power supply will latch off, and require removal/re-application of input AC voltage in order to restart.

The power supply should be latch.



Over Temperature Protection (Auto-Recovery)

As described in load de-rating section, the power supply also has Over Temperature Protection (OTP). In the event of a higher operating temperature at 100% load, the power supply will run into OTP when the operating temperature is beyond what is recommended in the de-rating graph. When activated, the output voltage will go into bouncing mode until the temperature drops to its normal operating temperature as recommended in the de-rating graph.

X-ON Electronics

Largest Supplier of Electrical and Electronic Components

Click to view similar products for [Switching Power Supplies](#) category:

Click to view products by [Delta](#) manufacturer:

Other Similar products are found below :

[70841011](#) [73-551-0005](#) [73-551-0048](#) [PS3E-B12F](#) [PS3E-E12F](#) [AAD600S-4-OP](#) [R22095](#) [KD0204](#) [9021](#) [LDIN100150](#) [LPM000-BBAR-01](#)
[LPX17S-C](#) [EVS57-10R6/R](#) [FP80](#) [FRV7000G](#) [22929](#) [PS3E-F12F](#) [CQM1IA121](#) [40370121900](#) [VI-PU22-EXX](#) [40370121910](#) [LDIN5075](#)
[LPM615-CHAS](#) [LPX140-C](#) [09-160CFG](#) [70841025](#) [VPX3000-CBL-DC](#) [VI-LUL-IU](#) [LPM000-BBAR-05](#) [LPM000-BBAR-08](#) [LPM124-](#)
[OUTA1-48](#) [LPM000-BBAR-07](#) [LPM109-OUTA1-10](#) [LPM616-CHAS](#) [08-30466-1055G](#) [08-30466-2175G](#) [08-30466-2125G](#) [DMB-EWG](#)
[TVQF-1219-18S](#) [6504-226-2101](#) [CQM1IPS01](#) [SP-300-5](#) [CQM1-IPS02](#) [VI-MUL-ES](#) [22829](#) [08-30466-0065G](#) [VI-RU031-EWWX](#) [08-30466-](#)
[0028G](#) [EP3000AC48INZ](#) [VP-C2104853](#)