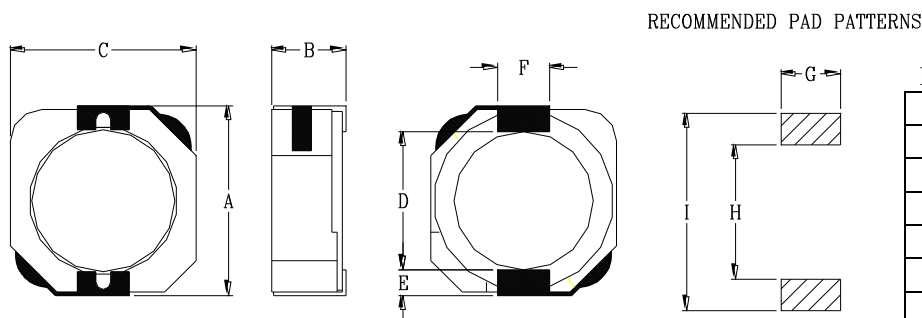




## DELTA P/N : SIL104R Series

### Mechanical dimensions



RECOMMENDED PAD PATTERNS

Dimensions (Unit : mm)	
A	10.1 ± 0.3
B	3.8 ± 0.2
C	10.0 ± 0.3
D	7.7 ± 0.3
E	1.2 ± 0.15
F	3.0 ± 0.3
G	3.2
H	7.3
I	10.7

### Electrical Characteristics @25°C , 100KHz, 0.1V

Delta P/N	L <sup>1</sup> (uH)	DCR (mΩ) MAX	I <sub>rated</sub> <sup>2</sup> (A <sub>dc</sub> )
SIL104R-1R5	1.5	8.1	10
SIL104R-2R5	2.2	10	7.5
SIL104R-3R8	3.8	13	6.0
SIL104R-5R2	5.2	22	5.5
SIL104R-7R0	7.0	27	4.8
SIL104R-100	10	35	4.4
SIL104R-120	12	46	3.7
SIL104R-150	15	50	3.6
SIL104R-220	22	73	2.9
SIL104R-330	33	93	2.3
SIL104R-470	47	128	2.1
SIL104R-680	68	213	1.5
SIL104R-101	100	304	1.35
SIL104R-151	150	506	1.15
SIL104R-221	220	756	0.92
SIL104R-331	330	1090	0.7

1. Tolerance of inductance : ±30% .
2. I<sub>rated</sub> is the DC current which cause the inductance drop less than 35% of it's nominal inductance without current and the surface temperature of the part increase less than 45 °C .
3. Operating temperature: -40°C to 125°C (Self-temperature rise included).

## X-ON Electronics

Largest Supplier of Electrical and Electronic Components

*Click to view similar products for [Fixed Inductors](#) category:*

*Click to view products by [Delta](#) manufacturer:*

Other Similar products are found below :

[MLZ1608M6R8WTD25](#) [MLZ1608N6R8LT000](#) [MLZ1608N3R3LTD25](#) [MLZ1608N3R3LT000](#) [MLZ1608N150LT000](#)

[MLZ1608M150WTD25](#) [MLZ1608M3R3WTD25](#) [MLZ1608M3R3WT000](#) [MLZ1608M150WT000](#) [MLZ1608A1R5WT000](#)

[MLZ1608N1R5LT000](#) [B82432C1333K000](#) [PCMB053T-1R0MS](#) [PCMB053T-1R5MS](#) [PCMB104T-1R5MS](#) [CR32NP-100KC](#) [CR32NP-](#)

[151KC](#) [CR32NP-180KC](#) [CR32NP-181KC](#) [CR32NP-1R5MC](#) [CR32NP-390KC](#) [CR32NP-3R9MC](#) [CR32NP-680KC](#) [CR32NP-820KC](#)

[CR32NP-8R2MC](#) [CR43NP-390KC](#) [CR43NP-560KC](#) [CR43NP-680KC](#) [CR54NP-181KC](#) [CR54NP-470LC](#) [CR54NP-820KC](#) [CR54NP-8R5MC](#)

[MGDQ4-00004-P](#) [MGDU1-00016-P](#) [MHL1ECTTP18NJ](#) [MHL1JCTTD12NJ](#) [PE-51506NL](#) [PE-53601NL](#) [PE-53630NL](#) [PE-53824SNLT](#) [PE-](#)

[62892NL](#) [PE-92100NL](#) [PG0434.801NLT](#) [PG0936.113NLT](#) [PM06-2N7](#) [PM06-39NJ](#) [HC2LP-R47-R](#) [HC2-R47-R](#) [HC3-2R2-R](#) [HC8-1R2-R](#)