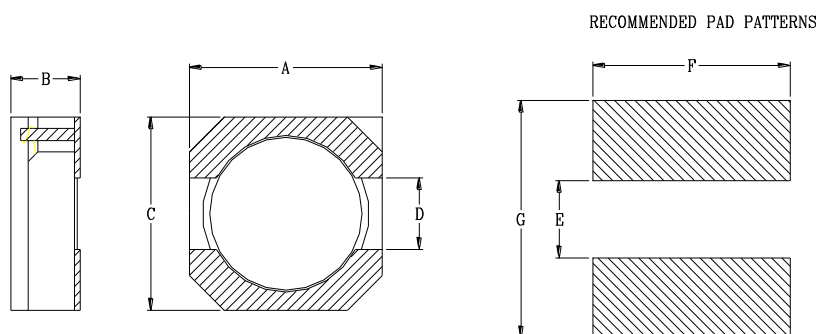




DELTA P/N : SIL520 Series

Mechanical dimensions



RECOMMENDED PAD PATTERNS

Dimensions (Unit : mm)	
A	5.0 MAX
B	2.0 MAX
C	5.0 MAX
D	1.5 ± 0.1
E	1.5
F	5.3
G	5.3

Electrical Characteristics @25°C , 100KHz, 0.1V

Delta P/N	L ¹ (uH)	DCR (mΩ) MAX	I _{rated} ² (A _{dc})
SIL520-1R0	1.0	35	2.9
SIL520-2R2	2.2	60	1.9
SIL520A-2R2	2.2	65	2.4
SIL520A-2R7	2.7	65	1.7
SIL520-3R3	3.3	80	1.5
SIL520A-3R3	3.3	85	2.0
SIL520-3R9	3.9	90	1.4
SIL520-4R7	4.7	110	1.3
SIL520A-4R7	4.7	125	1.5
SIL520B-4R7	4.7	130	1.9
SIL520-5R6	5.6	120	1.2
SIL520-6R8	6.8	145	1.05
SIL520-8R2	8.2	160	1.0
SIL520-100	10	200	0.61
SIL520-120	12	210	0.56
SIL520-150	15	240	0.50
SIL520-180	18	338	0.48
SIL520-220	22	397	0.41
SIL520-270	27	441	0.35
SIL520-330	33	690	0.32
SIL520-390	39	709	0.30
SIL520-470	47	922	0.28
SIL520-560	56	1080	0.26
SIL520-680	68	1300	0.24
SIL520-820	82	1560	0.22
SIL520-101	100	1730	0.20
SIL520-121	120	2390	0.18
SIL520-151	150	2670	0.15
SIL520-181	180	4000	0.14

1. Tolerance of inductance : ±30% .
2. I_{rated} is the DC current which cause the inductance drop less than 35% of it's nominal inductance without current and the surface temperature of the part increase less than 45 °C .
3. Operating temperature: -40°C to 125°C (Self-temperature rise included).

X-ON Electronics

Largest Supplier of Electrical and Electronic Components

Click to view similar products for [Multilayer Ceramic Capacitors MLCC - SMD/SMT](#) category:

Click to view products by [Delta](#) manufacturer:

Other Similar products are found below :

[M39014/01-1467](#) [M39014/02-1218V](#) [M39014/02-1225V](#) [M39014/02-1262V](#) [M39014/02-1301](#) [M39014/22-0631](#) [1210J5000102JCT](#)
[1210J2K00102KXT](#) [1210J5000103KXT](#) [1210J5000223KXT](#) [D55342E07B379BR-TR](#) [D55342E07B523DR-T/R](#) [1812J1K00103KXT](#)
[1812J1K00473KXT](#) [1812J2K00680JCT](#) [1812J4K00102MXT](#) [1812J5000102JCT](#) [1812J5000103JCT](#) [1812J5000682JCT](#) [NIN-FB391JTRF](#)
[NIN-FC2R7JTRF](#) [NPIS27H102MTRF](#) [C1206C101J1GAC](#) [C1608C0G1E472JT000N](#) [C2012C0G2A472J](#) [2220J2K00101JCT](#)
[KHC201E225M76N0T00](#) [LRC-LRF1206LF-01R025FTR1K](#) [1812J1K00222JCT](#) [1812J2K00102KXT](#) [1812J2K00222KXT](#)
[1812J2K00472KXT](#) [2-1622820-7-CUT-TAPE](#) [2220J3K00102KXT](#) [2225J2500824KXT](#) [CCR07CG103KM](#) [CGA2B2C0G1H010C](#)
[CGA2B2C0G1H040C](#) [CGA2B2C0G1H050C](#) [CGA2B2C0G1H060D](#) [CGA2B2C0G1H070D](#) [CGA2B2C0G1H151J](#) [CGA2B2C0G1H1R5C](#)
[CGA2B2C0G1H2R2C](#) [CGA2B2C0G1H3R3C](#) [CGA2B2C0G1H680J](#) [CGA2B2C0G1H6R8D](#) [CGA2B2X8R1H221K](#) [CGA2B2X8R1H472K](#)
[CGA3E1X7R1C474K](#)