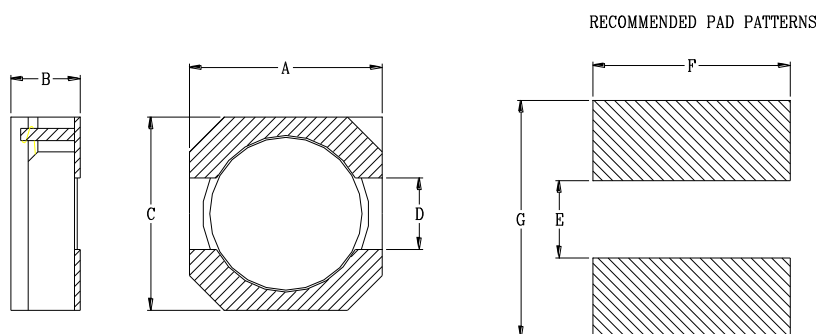




DELTA P/N : SIL520 Series

Mechanical dimensions



RECOMMENDED PAD PATTERNS

Dimensions (Unit : mm)	
A	5.0 MAX
B	2.0 MAX
C	5.0 MAX
D	1.5 ± 0.1
E	1.5
F	5.3
G	5.3

Electrical Characteristics @25°C , 100KHz, 0.1V

Delta P/N	L ¹ (uH)	DCR (mΩ) MAX	I _{rated} ² (A _{dc})
SIL520-1R0	1.0	35	2.9
SIL520-2R2	2.2	60	1.9
SIL520A-2R2	2.2	65	2.4
SIL520A-2R7	2.7	65	1.7
SIL520-3R3	3.3	80	1.5
SIL520A-3R3	3.3	85	2.0
SIL520-3R9	3.9	90	1.4
SIL520-4R7	4.7	110	1.3
SIL520A-4R7	4.7	125	1.5
SIL520B-4R7	4.7	130	1.9
SIL520-5R6	5.6	120	1.2
SIL520-6R8	6.8	145	1.05
SIL520-8R2	8.2	160	1.0
SIL520-100	10	200	0.61
SIL520-120	12	210	0.56
SIL520-150	15	240	0.50
SIL520-180	18	338	0.48
SIL520-220	22	397	0.41
SIL520-270	27	441	0.35
SIL520-330	33	690	0.32
SIL520-390	39	709	0.30
SIL520-470	47	922	0.28
SIL520-560	56	1080	0.26
SIL520-680	68	1300	0.24
SIL520-820	82	1560	0.22
SIL520-101	100	1730	0.20
SIL520-121	120	2390	0.18
SIL520-151	150	2670	0.15
SIL520-181	180	4000	0.14

1. Tolerance of inductance : ±30% .
2. I_{rated} is the DC current which cause the inductance drop less than 35% of it's nominal inductance without current and the surface temperature of the part increase less than 45 °C .
3. Operating temperature: -40°C to 125°C (Self-temperature rise included).

X-ON Electronics

Largest Supplier of Electrical and Electronic Components

Click to view similar products for [Fixed Inductors](#) category:

Click to view products by [Delta](#) manufacturer:

Other Similar products are found below :

[MLZ1608M6R8WTD25](#) [MLZ1608N6R8LT000](#) [MLZ1608N3R3LTD25](#) [MLZ1608N3R3LT000](#) [MLZ1608N150LT000](#)
[MLZ1608M150WTD25](#) [MLZ1608M3R3WTD25](#) [MLZ1608M3R3WT000](#) [MLZ1608M150WT000](#) [MLZ1608A1R5WT000](#)
[MLZ1608N1R5LT000](#) [B82432C1333K000](#) [PCMB053T-1R0MS](#) [PCMB053T-1R5MS](#) [PCMB104T-1R5MS](#) [CR32NP-100KC](#) [CR32NP-151KC](#) [CR32NP-180KC](#) [CR32NP-181KC](#) [CR32NP-1R5MC](#) [CR32NP-390KC](#) [CR32NP-3R9MC](#) [CR32NP-680KC](#) [CR32NP-820KC](#)
[CR32NP-8R2MC](#) [CR43NP-390KC](#) [CR43NP-560KC](#) [CR43NP-680KC](#) [CR54NP-181KC](#) [CR54NP-470LC](#) [CR54NP-820KC](#) [CR54NP-8R5MC](#)
[MGDQ4-00004-P](#) [MGDU1-00016-P](#) [MHL1ECTTP18NJ](#) [MHL1JCTTD12NJ](#) [PE-51506NL](#) [PE-53601NL](#) [PE-53630NL](#) [PE-53824SNLT](#) [PE-62892NL](#) [PE-92100NL](#) [PG0434.801NLT](#) [PG0936.113NLT](#) [PM06-2N7](#) [PM06-39NJ](#) [HC2LP-R47-R](#) [HC2-R47-R](#) [HC3-2R2-R](#) [HC8-1R2-R](#)